

KFTHA SYSTEM I/O MODULE INSTALLATION CARD

Use this card as a quick reference to install the KFTHA I/O module (E2052) in AlphaServer 8200/8400 systems.

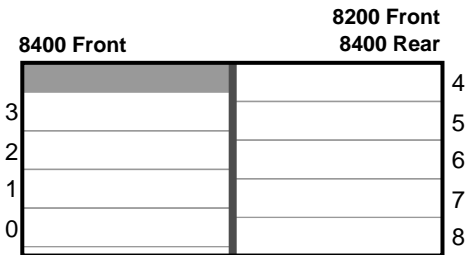
For more information, refer to the *AlphaServer 8200/8400 Service Manual* (EK-T8030-SV). If you are doing an upgrade from a VAX or DEC 7000 system, see the *AlphaServer 8400 Upgrade Manual* (EK-T8430-UI).

Overview

- Determine where to install the KFTHA module and remove the terminator module from that slot.
- Insert the KFTHA in the card cage.
- Connect I/O cables to I/O bus plug-in units (PIUs).
- Verify the system.

Determine Location for the KFTHA Module

The KFTHA module is installed in the highest-numbered available slot of 6 through 8.



BX-0775-95

© Digital Equipment Corporation 1995.
All rights reserved.

Remove the Terminator Module from That Slot

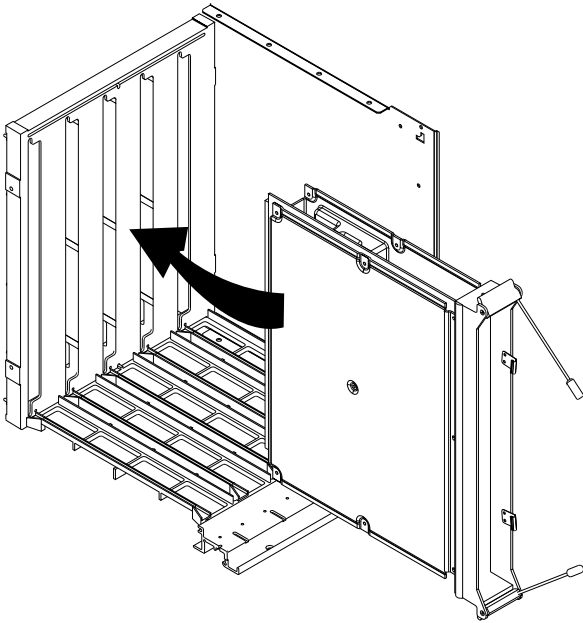
CAUTION: You must wear a wrist strap when you handle any modules.

1. Ground yourself to the cabinet frame with an antistatic wrist strap.
2. Push the handles of the module to be removed in toward the module endplate and to the left, releasing them from the stops.
3. Grasp the endplate and slide the module out of the card cage.

Insert the KFTHA Module

CAUTION: To avoid damaging an EMI gasket, insert modules from left to right. These gaskets can easily break, and a broken piece of gasket can damage a module or connector.

1. Remove the KFTHA module from its packaging and release the spring-loaded handles from the stops. To do this, push both handles toward the module endplate and away from the stops.
2. Support the module with one hand and with the other hand, grasp the endplate. Align the module with the card guide and the cover with the rail.
3. Slide the module into the card cage as far as it will easily go.
4. Push the handles to the module endplate. You will feel the module make contact with the connectors at the centerplane or backplane. Release the handles so they spring back into the stops.



BX-0768C-95

Connect Cables

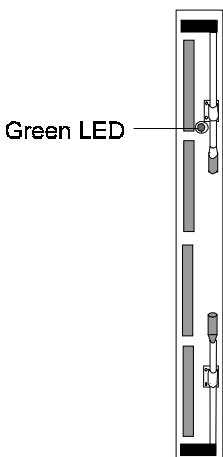
Connect and route the I/O (hose) cables as specified in the appropriate PIU installation guide. Remember that the screws on the connector at the KFTHA module should be tightened to a torque of 6 inch-pounds.

Verify the System

Power up the system. There are two ways to verify that the KFTHA module passed self-test:

- Check that the green self-test LED near the top handle on the module is lit.

Check the ST3 line in the self-test display to see that the slot containing the KFTHA module has a plus sign. In the example below, the KFTHA module is in slot 7. See **1** .



BX-0132B-95

Verify that the I/O channels are connected properly by inspecting the Cn lines in the self-test display. In the example below, the I/O channels associated with the KFTHA in slot 7 are C4 ② and C7 ③. The plus signs indicate that the XMI bus adapter (DWLMA) and PCI bus adapter (DWLPA) also passed their self-tests.

```

F E D C B A 9 8 7 6 5 4 3 2 1 0 NODE #
      A A . . . . . M P TYP
      O O . . . . . + ++ ST1
      . . . . . . . EB BPD
      O O . . . . . + ++ ST2
      . . ① . . . . . EB BPD
      + + ① . . . . . + ++ ST3
      . . . . . . . EB BPD
      . . . . . + + + + C0 PCI +
      . . . . . + . . . . C1 FBUS +
      + . . . . . + . . . . C4 XMI + ②
      . . . . . . . . . . C5
      . . . . . . . . . . C6
      . . . . . + + + . . . + C7 PCI + ③
      . . . . . + . . . . EISA +
      . . . . . . . A0 . ILV
      . . . . . . .256 . 256MB
AlphaServer 8400 Console V1.0-0, SR0M V1.0, Apr 2 1995
P00>>>

```