

A

B

C

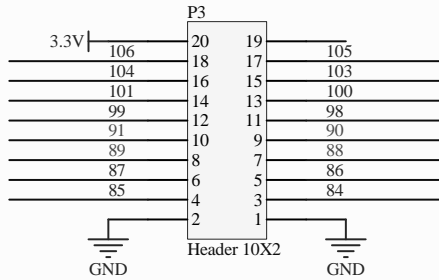
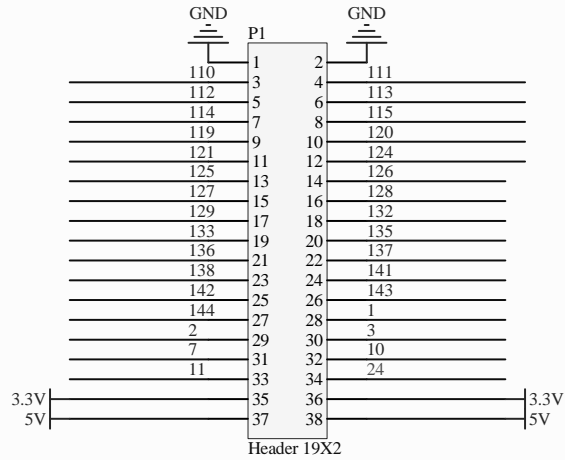
D

A

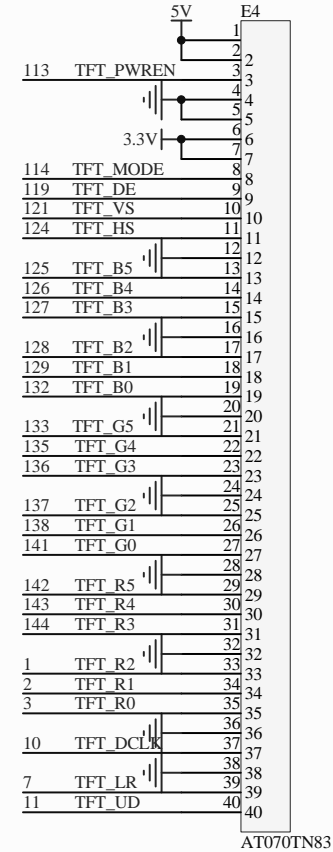
B

C

D

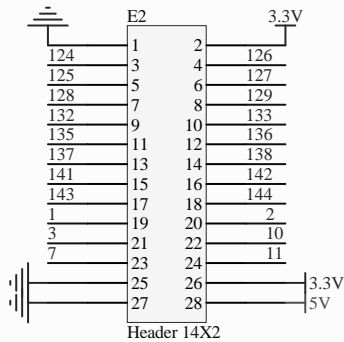
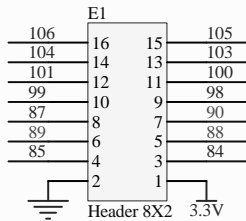


7inch TFT interface 7寸TFT接口

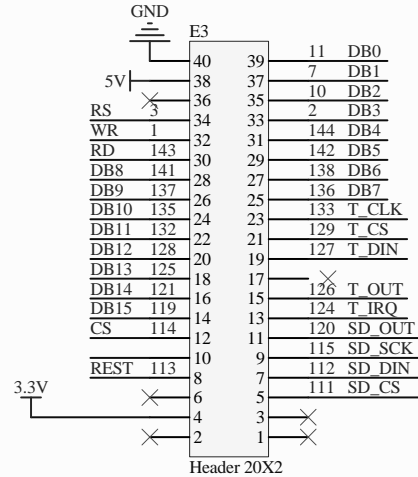


VGA interface VGA接口

Camera interface 摄像头接口



2.4 inch TFT interface 2.4寸TFT接口



Title		
助学板转接扩展小板.SchDoc		
Size	Number	Revision
Orcad A		1.0
Date:	2015/4/27	Sheet of
File:	G:\ok\..\助学板转接扩展小板.SchDoc	Drawn By: