

"THE MATERIAL HEREIN IS FOR INFORMATION PURPOSES ONLY AND IS SUBJECT TO CHANGE WITHOUT NOTICE. DIGITAL EQUIPMENT CORPORATION ASSUMES NO RESPONSIBILITY FOR ANY ERRORS WHICH MAY APPEAR HEREIN." 1978

**FIELD MAINTENANCE PRINT SET**

"THIS DRAWING AND SPECIFICATIONS, HEREIN, ARE THE PROPERTY OF DIGITAL EQUIPMENT CORPORATION AND SHALL NOT BE REPRODUCED OR COPIED OR USED IN WHOLE OR IN PART AS THE BASIS FOR THE MANUFACTURE OR SALE OF ITEMS WITHOUT WRITTEN PERMISSION. COPYRIGHT © 1978 DIGITAL EQUIPMENT CORPORATION."

**TABLE OF CONTENTS**

B-TC-VT100-0-1 VT100 UNIT ASSY. (TC)  
 E-UA-VT100-0-0 VT100 UNIT ASSY.  
 C-PL-VT100-0-0 VT100 UNIT ASSY. (PL)  
 E-UA-5413009-0-0 BASIC VIDEO BOARD  
 K-PL-5413009-0-DBP BASIC VIDEO BOARD (PL)  
 D-CS-5413009-0-1 BASIC VIDEO BOARD (CS)  
 E-UA-5412996-0-0 H7831 POWER SUPPLY BOARD  
 K-PL-5412996-0-DBP H7831 POWER SUPPLY BOARD (PL)  
 D-CS-5412996-0-1 H7831 POWER SUPPLY BOARD (CS)  
 D-AD-7014979-0-0 POWER SUPPLY ASSY.  
 E-UA-5413404-0-0 KEYBOARD ASSY.  
 K-PL-5413404-0-DBP KEYBOARD ASSY. (PL)  
 D-CS-5413404-0-1 KEYBOARD ASSY. (CS)  
 D-AD-7015765-0-0 KEYBOARD/KEYCAP ASSY.  
 C-PL-7015765-0-0 KEYBOARD/KEYCAP ASSY. (PL)  
 D-AR-7015765-0-1 KEYCAP ARRANGEMENT (MAIN ARRAY & NUMERIC)  
 D-IA-7014978-0-0 POWER CABLE ASSY.  
 D-CS-3014590-0-1 CRT MONITOR (CS) (FOR PS-3014590-0-0)  
 E-UA-VT1XX-AA-0 20 MA CURRENT LOOP OPTION  
 E-UA-5413206-0-0 20 MA CURRENT LOOP  
 K-PL-5413206-0-DBP 20 MA CURRENT LOOP (PL)  
 D-CS-5413206-0-1 20MA CURRENT LOOP (CS)  
 D-IA-7015273-0-0 20 MA ADAPTER ASSY.  
 C-IA-7015506-0-0 CABLE, INTERNAL  
 C-UA-BC05F-0-0 CABLE INTERFACE BC05F  
 E-UA-5413097-0-0 ADVANCED VIDEO BOARD  
 K-PL-5413097-0-DBP ADVANCED VIDEO BOARD (PL)  
 D-CS-5413097-0-1 ADVANCED VIDEO BOARD (CS)  
 A-PL-VT100-0 SHIPPING LIST VT100  
 A-SP-VT100-W-0 WORD PROCESSING TERMINAL INSTALLATION NOTES  
 D-UA-5414131-0-0 VT100 MONITOR  
 K-PL-5414131-0-DBP VT100 MONITOR  
 D-CS-5414131-0-1 VT100 MONITOR

UNIT VARIATIONS COVERED BY THIS PRINT SET
VT100-AA
VT100-AB
VT100-NA
VT100-NB
VT100-WA
VT100-WB
VT100-WC
VT100-WD
VT100-WE
VT100-WF
VT100-WG
VT100-WH
VT100-WJ
VT100-WK
VT100-WY
VT100-WZ
VT100-LA
VT100-LB
VT100-PA
VT100-PB
VT100-PC
VT100-PD
VT100-PE
VT100-PF

VT100-0  
**Field Maintenance  
 Print Set**  
  
**Digital Equipment  
 Corporation**

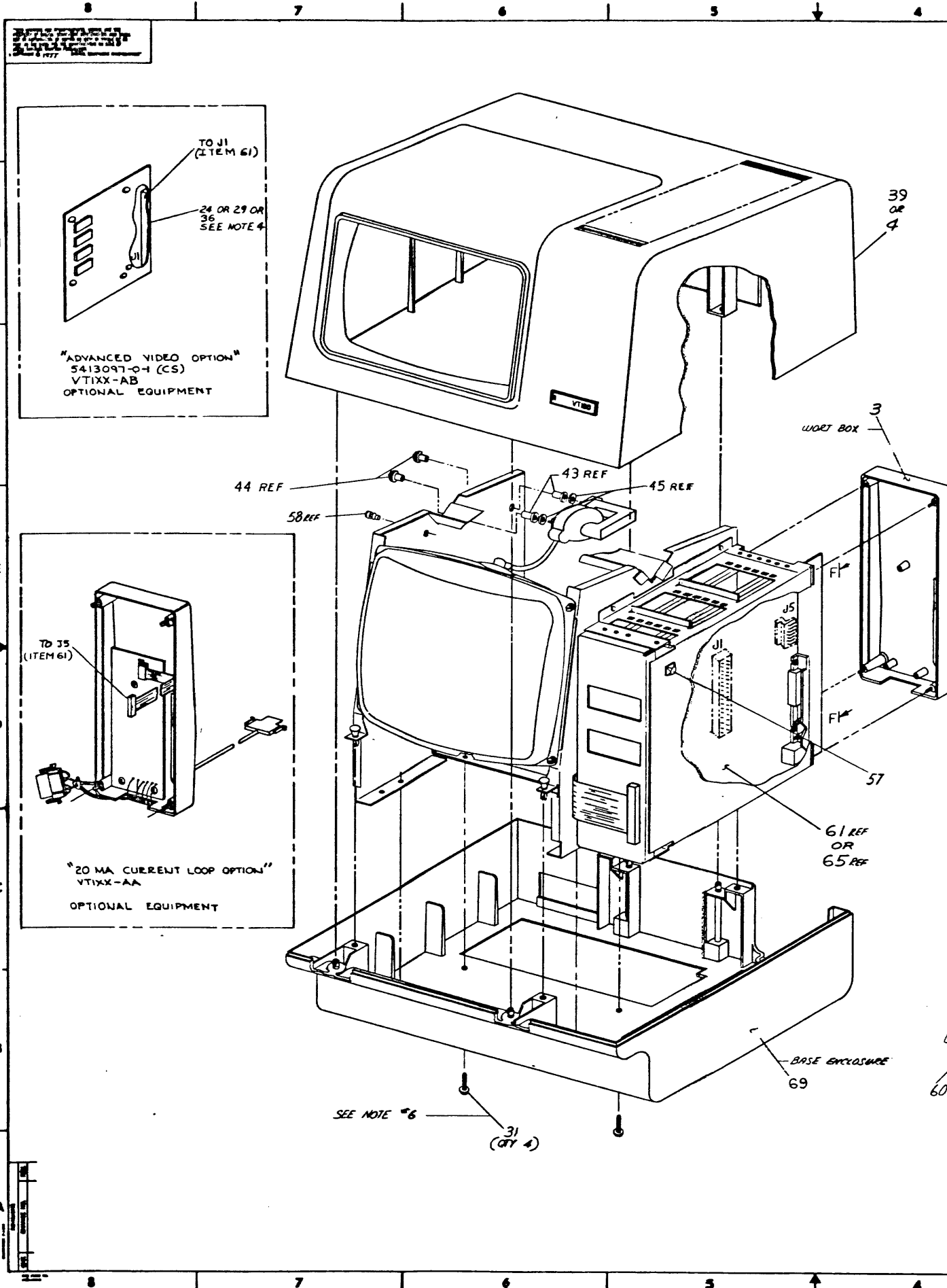
PRINT SET ORDER NO.  
 MP00633

REV. D  
 NUMBER VT100-0-1  
 SIZE CODE B TC

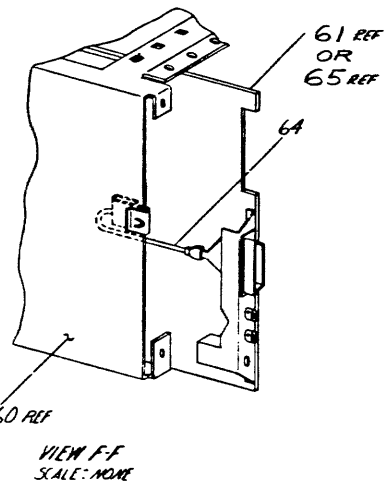
REV. CHG. NO.	DATE	USED ON OPTION/MODEL	DRN.	DATE	TITLE:	SIZE	CODE	NUMBER	REV.	
				REV D						FEB-82
			CHK'D D.HEALY	10 APR 78		<b>digital</b> VT100 UNIT ASSY. (TABLE OF CONTENTS)				
			PROJ. ENG. G.DOUMANI	6-26-78						
			FIELD SERV. J. ZALESKA	12 JUL 78	DIST.					
SHEET 1 OF 1										

DRB 124

ML3



LEGEND		SERIAL LABEL INFORMATION					
MODEL NUMBER	VARIATIONS	VOLTS	AMPS	PH	HZ	WATTS	WIRES
VT100-AA	DBL KEYBD EIA 115V LINE CORD USA PLUG	120/220/240	2.5/1.3		50/60	300 MAX	
VT100-AB	DBL KEYBD EIA 230V LINE CORD 20A PLUG						
VT100-NA	VT100-AA WITH DEC FORM KEY CAPS						
VT100-NB	VT100-AB WITH DEC FORM KEY CAPS						
VT100-WA	VT100-AA WITH WORD PROCESSING KEYCAPS						
VT100-WB	VT100-AB WITH WORD PROCESSING KEYCAPS						
VT100-WC	VT100 WITH AVO, FR. CANADIAN WP KEYCAPS, FOREIGN LANGUAGE ROMS, & 120V PLUG.						
VT100-WD	VT100 WITH AVO, FR. CANADIAN WP KEYCAPS, FOREIGN LANGUAGE ROMS, & 230V 20A PLUG.						
VT100-WE	VT100 WITH AVO, FRENCH WP KEYCAPS, FOREIGN LANGUAGE ROMS AND 120V PLUG.						
VT100-WF	VT100 WITH AVO, FRENCH WP KEYCAPS, FOREIGN LANGUAGE ROMS, & 230V 20A PLUG.						
VT100-WG	VT100 WITH AVO, DUTCH KEYCAPS, FOREIGN LANGUAGE ROMS, AND 120V PLUG.						
VT100-WH	VT100 WITH AVO, DUTCH KEYCAPS, FOREIGN LANGUAGE ROMS, & 230V 20A PLUG.						
VT100-WJ	VT100 WITH AVO, GERMAN KEYCAPS, FOREIGN LANGUAGE ROMS, & 120 V PLUG.						
VT100-WK	VT100 WITH AVO, GERMAN KEYCAPS, FOREIGN LANGUAGE ROMS, & 230V 20A PLUG.						
VT100-WY	VT100 WITH AVO, WP KEYCAPS, FOREIGN LANGUAGE ROMS, AND 120 V PLUG.						
VT100-WZ	VT100 WITH AVO, WP KEYCAPS, FOREIGN LANGUAGE ROMS, AND 230V 20A PLUG.						
VT100-LA	VT100-AA WITH P40 TUBE AND BONDED FACE PLATE						
VT100-LB	VT100-AB WITH P40 TUBE AND BONDED FACE PLATE						
VT100-PA	(PRIVATE BRAND) VT100-AA EXCEPT DARK GREY TRIM, 120V						
VT100-PB	(PRIVATE BRAND) VT100-AB EXCEPT DARK GREY TRIM, 220/240V						
VT100-PC	(PRIVATE BRAND) VT100-PA WITHOUT ELECTRONICS 120V						
VT100-PD	(PRIVATE BRAND) VT100-PB WITHOUT ELECTRONICS 240V						
VT100-PE	(PRIVATE BRAND) VT100-PA WITHOUT ELECT. & NO KYBD 120V						
VT100-PF	(PRIVATE BRAND) VT100-PB WITHOUT ELECT. & NO KYBD 240V	120/220/240	2.5/1.3		50/60	300 MAX	



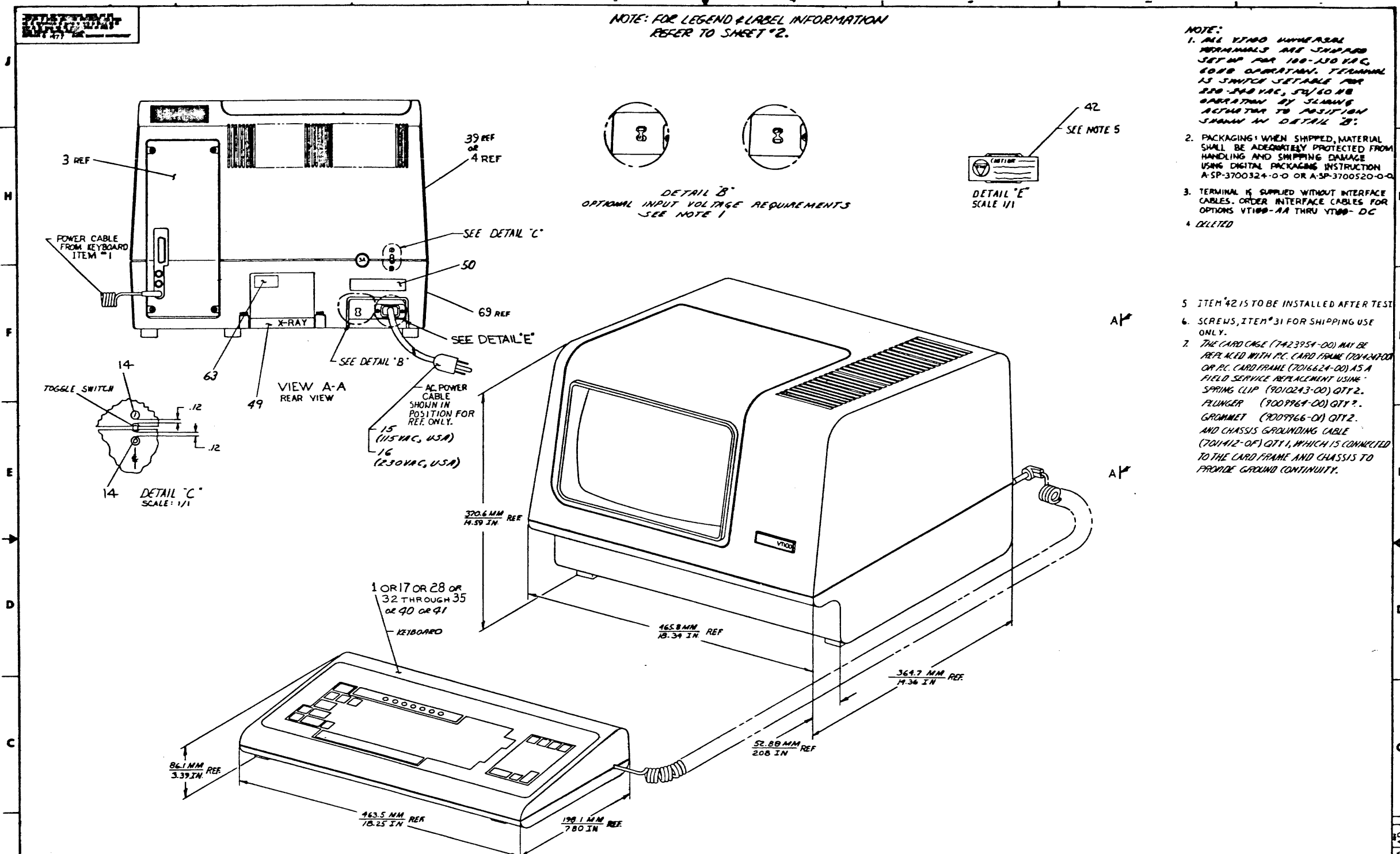
DESCRIPTION	QTY	UNIT	REVISION
VT100 UNIT ASSY	1	EA	1
VT100-B-0	1	EA	1

TITLE: VT100 UNIT ASSY  
 PART NUMBER: VT100-B-0  
 SCALE: 1/2  
 DRAWN BY: [Signature]  
 CHECKED BY: [Signature]  
 DATE: [Date]  
 SEE PARTS LIST

VT100-B-0 AD

NOTE: FOR LEGEND & LABEL INFORMATION REFER TO SHEET "2."

- NOTE:
1. ALL VT100 UNIVERSAL TERMINALS ARE SHIPPED SET UP FOR 100-120 VAC, 60HZ OPERATION. TERMINAL IS SWITCH SETTABLE FOR 220-240 VAC, 50/60 HZ OPERATION BY SLIDING ACTUATOR TO POSITION SHOWN IN DETAIL "B".
  2. PACKAGING WHEN SHIPPED, MATERIAL SHALL BE ADEQUATELY PROTECTED FROM HANDLING AND SHIPPING DAMAGE USING DIGITAL PACKAGING INSTRUCTION A-SP-3700324-0-0 OR A-SP-3700520-0-0.
  3. TERMINAL IS SUPPLIED WITHOUT INTERFACE CABLES. ORDER INTERFACE CABLES FOR OPTIONS VT100-AA THRU VT100-DC.
  4. DELETED



5. ITEM 42 IS TO BE INSTALLED AFTER TEST.
6. SCREWS, ITEM #31 FOR SHIPPING USE ONLY.
7. THE CARD CAGE (7423954-00) MAY BE REPLACED WITH P.C. CARD FRAME (70142700) OR P.C. CARD FRAME (7016624-00) AS A FIELD SERVICE REPLACEMENT USING: SPRING CLIP (9010243-00) QTY 2; PLUNGER (9009964-00) QTY 2; GROMMET (9009966-01) QTY 2; AND CHASSIS GROUNDING CABLE (701412-01) QTY 1, WHICH IS CONNECTED TO THE CARD FRAME AND CHASSIS TO PROVIDE GROUND CONTINUITY.

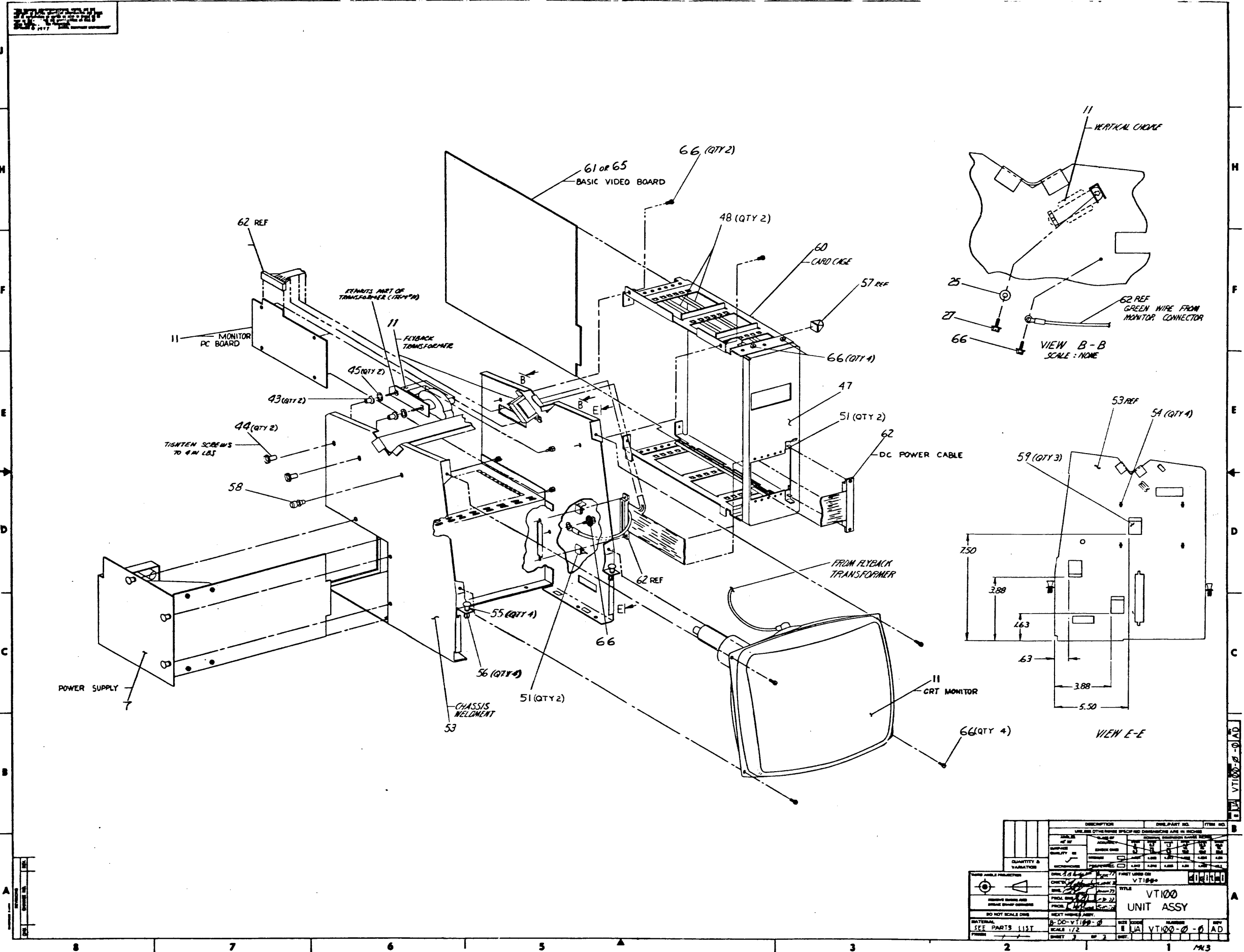
CAUTION: OFF SHEET PARTS LIST EXISTS, SEE K-PL-VT100-0-DBP

QTY	DESCRIPTION	REF	UNIT
1	VT100 UNIT ASSY		
1	POWER CABLE FROM KEYBOARD ITEM "1"		
1	TOGGLE SWITCH	14	
2	SPRING CLIP	9010243-00	QTY 2
2	PLUNGER	9009964-00	QTY 2
2	GROMMET	9009966-01	QTY 2
1	CHASSIS GROUNDING CABLE	701412-01	QTY 1
1	AC POWER CABLE (115 VAC, USA)	15	
1	AC POWER CABLE (230 VAC, USA)	16	
1	KEYBOARD	1 OR 17 OR 28 OR 32 THROUGH 35 OR 40 OR 41	
1	VT100-001		
1	VT100-002		
1	VT100-003		
1	VT100-004		
1	VT100-005		
1	VT100-006		
1	VT100-007		
1	VT100-008		
1	VT100-009		
1	VT100-010		
1	VT100-011		
1	VT100-012		
1	VT100-013		
1	VT100-014		
1	VT100-015		
1	VT100-016		
1	VT100-017		
1	VT100-018		
1	VT100-019		
1	VT100-020		
1	VT100-021		
1	VT100-022		
1	VT100-023		
1	VT100-024		
1	VT100-025		
1	VT100-026		
1	VT100-027		
1	VT100-028		
1	VT100-029		
1	VT100-030		
1	VT100-031		
1	VT100-032		
1	VT100-033		
1	VT100-034		
1	VT100-035		
1	VT100-036		
1	VT100-037		
1	VT100-038		
1	VT100-039		
1	VT100-040		
1	VT100-041		
1	VT100-042		
1	VT100-043		
1	VT100-044		
1	VT100-045		
1	VT100-046		
1	VT100-047		
1	VT100-048		
1	VT100-049		
1	VT100-050		
1	VT100-051		
1	VT100-052		
1	VT100-053		
1	VT100-054		
1	VT100-055		
1	VT100-056		
1	VT100-057		
1	VT100-058		
1	VT100-059		
1	VT100-060		
1	VT100-061		
1	VT100-062		
1	VT100-063		
1	VT100-064		
1	VT100-065		
1	VT100-066		
1	VT100-067		
1	VT100-068		
1	VT100-069		
1	VT100-070		
1	VT100-071		
1	VT100-072		
1	VT100-073		
1	VT100-074		
1	VT100-075		
1	VT100-076		
1	VT100-077		
1	VT100-078		
1	VT100-079		
1	VT100-080		
1	VT100-081		
1	VT100-082		
1	VT100-083		
1	VT100-084		
1	VT100-085		
1	VT100-086		
1	VT100-087		
1	VT100-088		
1	VT100-089		
1	VT100-090		
1	VT100-091		
1	VT100-092		
1	VT100-093		
1	VT100-094		
1	VT100-095		
1	VT100-096		
1	VT100-097		
1	VT100-098		
1	VT100-099		
1	VT100-100		

QUANTITY & VARIATION	DESCRIPTION	REF PART NO.	UNIT
1	VT100 UNIT ASSY	VT100-0	
1	POWER CABLE FROM KEYBOARD ITEM "1"		
2	SPRING CLIP	9010243-00	QTY 2
2	PLUNGER	9009964-00	QTY 2
2	GROMMET	9009966-01	QTY 2
1	CHASSIS GROUNDING CABLE	701412-01	QTY 1
1	AC POWER CABLE (115 VAC, USA)	15	
1	AC POWER CABLE (230 VAC, USA)	16	
1	KEYBOARD	1 OR 17 OR 28 OR 32 THROUGH 35 OR 40 OR 41	
1	VT100-001		
1	VT100-002		
1	VT100-003		
1	VT100-004		
1	VT100-005		
1	VT100-006		
1	VT100-007		
1	VT100-008		
1	VT100-009		
1	VT100-010		
1	VT100-011		
1	VT100-012		
1	VT100-013		
1	VT100-014		
1	VT100-015		
1	VT100-016		
1	VT100-017		
1	VT100-018		
1	VT100-019		
1	VT100-020		
1	VT100-021		
1	VT100-022		
1	VT100-023		
1	VT100-024		
1	VT100-025		
1	VT100-026		
1	VT100-027		
1	VT100-028		
1	VT100-029		
1	VT100-030		
1	VT100-031		
1	VT100-032		
1	VT100-033		
1	VT100-034		
1	VT100-035		
1	VT100-036		
1	VT100-037		
1	VT100-038		
1	VT100-039		
1	VT100-040		
1	VT100-041		
1	VT100-042		
1	VT100-043		
1	VT100-044		
1	VT100-045		
1	VT100-046		
1	VT100-047		
1	VT100-048		
1	VT100-049		
1	VT100-050		
1	VT100-051		
1	VT100-052		
1	VT100-053		
1	VT100-054		
1	VT100-055		
1	VT100-056		
1	VT100-057		
1	VT100-058		
1	VT100-059		
1	VT100-060		
1	VT100-061		
1	VT100-062		
1	VT100-063		
1	VT100-064		
1	VT100-065		
1	VT100-066		
1	VT100-067		
1	VT100-068		
1	VT100-069		
1	VT100-070		
1	VT100-071		
1	VT100-072		
1	VT100-073		
1	VT100-074		
1	VT100-075		
1	VT100-076		
1	VT100-077		
1	VT100-078		
1	VT100-079		
1	VT100-080		
1	VT100-081		
1	VT100-082		
1	VT100-083		
1	VT100-084		
1	VT100-085		
1	VT100-086		
1	VT100-087		
1	VT100-088		
1	VT100-089		
1	VT100-090		
1	VT100-091		
1	VT100-092		
1	VT100-093		
1	VT100-094		
1	VT100-095		
1	VT100-096		
1	VT100-097		
1	VT100-098		
1	VT100-099		
1	VT100-100		

K-PL-VT100-0-AD

1 ML3



QUANTITY & VARIATION		DESCRIPTION	QTY	UNIT
1		VT1000 UNIT ASSY	1	UNIT
2		MONITOR PC BOARD	1	PCB
3		FLYBACK TRANSFORMER	1	TRANS
4		BASIC VIDEO BOARD	1	PCB
5		CARD CAGE	1	CAGE
6		POWER SUPPLY	1	UNIT
7		CRT MONITOR	1	MON
8		CHASSIS WELDMENT	1	WELDM

MATERIAL: SEE PARTS LIST  
 SCALE: 1/2  
 SHEET: 2 OF 3

LINE ITEM	DOCUMENT NUMBER	PART NUMBER	DESCRIPTION	QUANTITY PER VARIATION													
				AA	AB	NA	NB	WA	WB	WC	WD	WE	WF	WG	WH		
1	D-UA-7014653-0-0	7014653-00	KEYBOARD ASSY	1	1	-	-	-	-	-	-	-	-	-	-	-	-
2	E-IA-7014980-0-0	7014980-00	BASE ASSY ENCLOSURE	1	1	1	1	1	1	1	1	1	1	1	1	1	1
3	D-IA-7014976-0-0	7014976-00	WORT BOX ASSY	1	1	1	1	1	1	1	1	1	1	1	1	1	1
4	D-IA-7014974-0-0	7014974-00	ENCLOSURE, CRT TOP ASSY	1	1	1	1	1	1	1	1	1	1	1	1	1	1
5		7014975-00	*** THIS ITEM IS NOT USED ***	-	-	-	-	-	-	-	-	-	-	-	-	-	-
6		7014977-00	*** THIS ITEM IS NOT USED ***	-	-	-	-	-	-	-	-	-	-	-	-	-	-
7	D-AD-7014979-0-0	7014979-00	POWER SUPPLY ASSY	1	1	1	1	1	1	1	1	1	1	1	1	1	1
8		7014978-01	*** THIS ITEM IS NOT USED ***	-	-	-	-	-	-	-	-	-	-	-	-	-	-
9		5413009-00	*** THIS ITEM IS NOT USED ***	-	-	-	-	-	-	-	-	-	-	-	-	-	-
10		7419836-00	*** THIS ITEM IS NOT USED ***	-	-	-	-	-	-	-	-	-	-	-	-	-	-
11		3016080-00	/REPLACED BY 70-18349-00	1	1	1	1	1	1	1	1	1	1	1	1	1	1
12		9010007-00	*** THIS ITEM IS NOT USED ***	-	-	-	-	-	-	-	-	-	-	-	-	-	-
13		9009967-00	SCREW,HEX,SLOT,SEMS 6-32X .312L	12	12	12	12	12	12	12	12	12	12	12	12	12	12
14		3615680-00	LABEL,ADHESIVE BACK,SWITCH POSIT	1	1	1	1	1	1	1	1	1	1	1	1	1	1
15	A-PS-1700083-0-0	1700083-09	PWR CORD,TERM. 75IN,18-3,125V 10	1	-	1	-	1	-	1	-	1	-	1	-	1	-
16	A-PS-1700083-0-0	1700083-10	PWR CORD,TERM. 75IN,18-3,250V 6	-	1	-	1	-	1	-	1	-	1	-	1	-	1
17	D-UA-7014653-0-0	7014653-02	KEYBOARD ASSY.	-	-	1	1	-	-	-	-	-	-	-	-	-	-
18		7414213-00	*** THIS ITEM IS NOT USED ***	-	-	-	-	-	-	-	-	-	-	-	-	-	-
19		3613210-01	*** THIS ITEM IS NOT USED ***	-	-	-	-	-	-	-	-	-	-	-	-	-	-
20		3613210-02	*** THIS ITEM IS NOT USED ***	-	-	-	-	-	-	-	-	-	-	-	-	-	-
21		3613211-01	*** THIS ITEM IS NOT USED ***	-	-	-	-	-	-	-	-	-	-	-	-	-	-
22		3700324-00	INSTR PKG DISPLAY VT100	1	1	1	1	1	1	1	1	1	1	1	1	1	1
23	E-UA-VT1XX-AA-0	VT1XX-AA	VT100 20MA CURRENT LOOP OPTION W	REF	REF	REF	REF	REF	REF	REF	REF	REF	REF	REF	REF	REF	REF
24	A-PL-VT1XX-AB-0	VT1XX-AB	ADVANCED VIDEO OPTION FOR VT100	REF	REF	REF	REF	REF	REF	REF	REF	REF	REF	REF	REF	REF	REF
25		9006659-00	WASHER, FLAT, .375 O.D. X .156 I	1	1	1	1	1	1	1	1	1	1	1	1	1	1
26		9007649-00	*** THIS ITEM IS NOT USED ***	-	-	-	-	-	-	-	-	-	-	-	-	-	-
27		9010112-00	SCREW,TAPPING,TYPE B,HEX ,SLOT,	1	1	1	1	1	1	1	1	1	1	1	1	1	1
28	E-UA-7014653-0-0	7014653-03	KEYBOARD ASSY.	-	-	-	-	1	1	-	-	-	-	-	-	-	-
29		5413097-00	*** THIS ITEM IS NOT USED ***	-	-	-	-	-	-	-	-	-	-	-	-	-	-
30		9009313-01	SUPPORT,C.BD.,FLAME RET.,NATURAL	-	-	-	-	4	4	4	4	4	4	4	4	4	4

REVISION HISTORY			BASIC PART NO: VT100		DRN: B. BLODGETT		DATE: 3-SEP-77		D I G I T A L							
ENG	ECO NUMBER	REV	SECTION A OF B		CHK'D: D. HEALY		DATE: 24-SEP-77		TITLE PARTS LIST							
JD	VT100-MLO40	Z	SECTION. VARIATION INDEX		DES.ENG.: E. WEDEKING		DATE: 26-JUN-78		VT100 UNIT ASSY.							
GB	VT100-MLO42	AA	[A] AA,AB,NA,NB,WA,WB, WC,WD,WE,WF,WG,WH		RESP.ENG.: G. DOUMANI		DATE: 26-JUN-78		DOCUMENT NUMBER							
			[B] WJ,WK,WY,WZ,LA,LB, PA,PB,PC,PD,PE,PF		MFG.ENG.: K. HOFFMAN		DATE: 7-JUL-78		SIZE!CODE! NUMBER ! REV !							
			[C]		ASSEMBLY NUMBER:		TOP DOCUMENT NUMBER:		FILE NAME: ! EDIT #!							
			[D]		E-UA-VT100-0-0		#B-DD-VT100-0		MLOBAA.PLS ! 35 !							
			[E]													
			[F]													

"THIS DRAWING AND SPECIFICATIONS HEREIN, ARE THE PROPERTY OF DIGITAL EQUIPMENT CORPORATION AND SHALL NOT BE REPRODUCED OR COPIED OR USED IN WHOLE OR IN PART AS THE BASIS FOR THE MANUFACTURE OR SALE OF ITEMS WITHOUT WRITTEN PERMISSION. COPYRIGHT (C) 1982. DIGITAL EQUIPMENT CORPORATION "

LINE	ITEM	DOCUMENT NUMBER	PART NUMBER	DESCRIPTION	QUANTITY PER VARIATION											
					WJ	WK	WY	WZ	LA	LB	PA	PB	PC	PD	PE	PF
1	1	D-UA-7014653-0-0	7014653-00	KEYBOARD ASSY	-	-	-	-	1	1	-	-	-	-	-	-
2	2	E-IA-7014980-0-0	7014980-00	BASE ASSY ENCLOSURE	1	1	1	1	1	1	1	1	1	1	1	1
3	3	D-IA-7014976-0-0	7014976-00	WORT BOX ASSY	1	1	1	1	1	1	1	1	1	1	1	1
4	4	D-IA-7014974-0-0	7014974-00	ENCLOSURE, CRT TOP ASSY	1	1	1	1	1	1	-	-	-	-	-	-
5	5		7014975-00	*** THIS ITEM IS NOT USED ***	-	-	-	-	-	-	-	-	-	-	-	-
6	6		7014977-00	*** THIS ITEM IS NOT USED ***	-	-	-	-	-	-	-	-	-	-	-	-
7	7	D-AD-7014979-0-0	7014979-00	POWER SUPPLY ASSY	1	1	1	1	1	1	1	1	1	1	1	1
8	8		7014978-01	*** THIS ITEM IS NOT USED ***	-	-	-	-	-	-	-	-	-	-	-	-
9	9		5413009-00	*** THIS ITEM IS NOT USED ***	-	-	-	-	-	-	-	-	-	-	-	-
10	10		7419836-00	*** THIS ITEM IS NOT USED ***	-	-	-	-	-	-	-	-	-	-	-	-
11	11		3016080-00	/REPLACED BY 70-18349-00	1	1	1	1	-	-	1	1	1	1	1	1
12	12		9010007-00	*** THIS ITEM IS NOT USED ***	-	-	-	-	-	-	-	-	-	-	-	-
13	13		9009967-00	SCREW,HEX,SLOT,SEMS 6-32X .312L	12	12	12	12	12	12	12	12	12	12	12	12
14	14		3615680-00	LABEL,ADHESIVE BACK,SWITCH POSIT	1	1	1	1	1	1	1	1	1	1	1	1
15	15	A-PS-1700083-0-0	1700083-09	PWR CORD,TERM. 75IN,18-3,125V 10	1	-	1	-	1	-	1	-	1	-	1	-
16	16	A-PS-1700083-0-0	1700083-10	PWR CORD,TERM. 75IN,18-3,250V 6	-	1	-	1	-	1	-	1	-	1	-	1
17	17	D-UA-7014653-0-0	7014653-02	*** THIS ITEM IS NOT USED ***	-	-	-	-	-	-	-	-	-	-	-	-
18	18		7414213-00	*** THIS ITEM IS NOT USED ***	-	-	-	-	-	-	-	-	-	-	-	-
19	19		3613210-01	*** THIS ITEM IS NOT USED ***	-	-	-	-	-	-	-	-	-	-	-	-
20	20		3613210-02	*** THIS ITEM IS NOT USED ***	-	-	-	-	-	-	-	-	-	-	-	-
21	21		3613211-01	*** THIS ITEM IS NOT USED ***	-	-	-	-	-	-	-	-	-	-	-	-
22	22		3700324-00	INSTR PKG DISPLAY VT100	1	1	1	1	1	1	1	1	1	1	1	1
23	23	E-UA-VT1XX-AA-0	VT1XX-AA	VT100 ZOMA CURRENT LOOP OPTION W	REF	REF	REF	REF	REF	REF	REF	REF	REF	REF	REF	REF
24	24	A-PL-VT1XX-AB-0	VT1XX-AB	ADVANCED VIDED OPTION FOR VT100	-	-	-	-	REF	REF	REF	REF	-	-	-	-
25	25		9006659-00	WASHER, FLAT, .375 O.D. X .156 I	1	1	1	1	1	1	1	1	1	1	1	1
26	26		9007649-00	*** THIS ITEM IS NOT USED ***	-	-	-	-	-	-	-	-	-	-	-	-
27	27		9010112-00	SCREW,TAPPING,TYPE B,HEX ,SLOT,	1	1	1	1	1	1	1	1	1	1	1	1
28	28	E-UA-7014653-0-0	7014653-03	KEYBOARD ASSY.	-	-	1	1	-	-	-	-	-	-	-	-
29	29		5413097-00	*** THIS ITEM IS NOT USED ***	-	-	-	-	-	-	-	-	-	-	-	-
30	30		9009313-01	SUPPORT,C.BD.,FLAME RET.,NATURAL	4	4	4	4	-	-	-	-	-	-	-	-

REVISION HISTORY		BASIC PART NO: VT100		DRN:	B. BLODGETT	DATE:	3-SEP-77	D I G I T A L			
ENG!	ECO NUMBER	REV	SECTION B OF B	CHK'D:	D. HEALY	DATE:	24-SEP-77	TITLE PARTS LIST			
JD	VT100-ML040	Z	SECTION. VARIATION INDEX					VT100 UNIT ASSY.			
GB	VT100-ML042	AA	[A] AA,AB,NA,NB,WA,WB, WC,WD,WE,WF,WG,WH	DES.ENG.:	E. WEDEKING	DATE:	26-JUN-78	DOCUMENT NUMBER			
			[B] WJ,WK,WY,WZ,LA,LB, PA,PB,PC,PD,PE,PF	RESP.ENG.:	G. DOUMANI	DATE:	26-JUN-78	SIZE!CODE! NUMBER ! REV			
			[C]	MFG.ENG.:	K. HOFFMAN	DATE:	7-JUL-78	K	PL	VT100-0-DBP	AA
			[D]	ASSEMBLY NUMBER:	E-UA-VT100-0-0	TOP DOCUMENT NUMBER:	#B-DD-VT100-0	FILE NAME:		MLOBAA.PLS	EDIT #!
			[E]								35
			[F]								

"THIS DRAWING AND SPECIFICATIONS HEREIN, ARE THE PROPERTY OF DIGITAL EQUIPMENT CORPORATION AND SHALL NOT BE REPRODUCED OR COPIED OR USED IN WHOLE OR IN PART AS THE BASIS FOR THE MANUFACTURE OR SALE OF ITEMS WITHOUT WRITTEN PERMISSION. COPYRIGHT (C) 1982. DIGITAL EQUIPMENT CORPORATION"

PARTS LIST

LINE ITEM	DOCUMENT NUMBER	PART NUMBER	DESCRIPTION	QUANTITY PER VARIATION												
				AA	AB	NA	NB	WA	WB	WC	WD	WE	WF	WG	WH	
31	31	9010135-00	SCREW,FLAT,SLOT 8-32X 1/2	4	4	4	4	4	4	4	4	4	4	4	4	4
32	32	E-UA-7014653-0-0	7014653-05 KEYBD ASSY FR CANADIAN WP KEYCAP	-	-	-	-	-	-	-	1	1	-	-	-	-
33	33	E-UA-7014653-0-0	7014653-06 KEYBD ASSY FRENCH + WP KEYCAPS	-	-	-	-	-	-	-	-	-	1	1	-	-
34	34	E-UA-7014653-0-0	7014653-07 KEYBD ASSY DUTCH WP KEYCAPS	-	-	-	-	-	-	-	-	-	-	-	1	1
35	35	E-UA-7014653-0-0	7014653-08 *** THIS ITEM IS NOT USED ***	-	-	-	-	-	-	-	-	-	-	-	-	-
36	36	D-UA-5413097-0-0	5413097-03 VT100 ADVANCED VIDEO	-	-	-	-	-	-	-	1	1	1	1	1	1
37	37		5413009-02 *** THIS ITEM IS NOT USED ***	-	-	-	-	-	-	-	-	-	-	-	-	-
38	38		3016080-53 *** THIS ITEM IS NOT USED ***	-	-	-	-	-	-	-	-	-	-	-	-	-
39	39	D-IA-7014974-0-0	7014974-02 *** THIS ITEM IS NOT USED ***	-	-	-	-	-	-	-	-	-	-	-	-	-
40	40	D-UA-7014653-0-0	7014653-10 *** THIS ITEM IS NOT USED ***	-	-	-	-	-	-	-	-	-	-	-	-	-
41	41	D-UA-7014653-0-0	7014653-09 *** THIS ITEM IS NOT USED ***	-	-	-	-	-	-	-	-	-	-	-	-	-
42	42		3616157-00 LABEL,CORRECT VOLTAGE SETTING,CA	1	1	1	1	1	1	1	1	1	1	1	1	1
43	43	B-IA-7423018-0-0	7423018-00 ISOLATION MOUNT.	2	2	2	2	2	2	2	2	2	2	2	2	2
44	44	B-MD-7423006-0-0	7423006-00 SCREW,HEX WASHER HD,4-40	2	2	2	2	2	2	2	2	2	2	2	2	2
45	45		9008193-00 WASHER, NYLON, FLAT .312 X .812	2	2	2	2	2	2	2	2	2	2	2	2	2
46	46		7018624-00 *** THIS ITEM IS NOT USED ***	-	-	-	-	-	-	-	-	-	-	-	-	-
47	47	D-IA-7419469-0-0	7419469-00 STOP P.C. CARD	1	1	1	1	1	1	1	1	1	1	1	1	1
48	48		1212405-00 CARD GUIDE,NYLON	2	2	2	2	2	2	2	2	2	2	2	2	2
49	49	A-PS-3617544-0-0	3617544-00 LABEL,X-RAY RADIATION	1	1	1	1	1	1	1	1	1	1	1	1	1
50	50		3617674-01 LABEL,SERIAL & POWER W/UL & CSA	1	1	1	1	1	1	1	1	1	1	1	1	1
51	51		9010234-00 CLIP,CONN MTG. ZINCP	4	4	4	4	4	4	4	4	4	4	4	4	4
52	52	E-UA-5413097-0-0	5413097-01 ADVANCE VIDEO LA120	-	-	-	-	1	1	-	-	-	-	-	-	-
53	53	E-IA-7017434-0-DBU	7017434-00 CHASSIS WELDMENT	1	1	1	1	1	1	1	1	1	1	1	1	1
54	54		1217594-00 STANDOFF,POLYCARB 3/8"	4	4	4	4	4	4	4	4	4	4	4	4	4
55	55		9009964-00 PLUNGER, 5/16 DIA	4	4	4	4	4	4	4	4	4	4	4	4	4
56	56		9009966-01 GROMMET, SNAP-IN, 5/16 DIA	4	4	4	4	4	4	4	4	4	4	4	4	4
57	57		9009624-00 BUMPR,SQ.,ADH.BACK RUB-POLYU	1	1	1	1	1	1	1	1	1	1	1	1	1
58	58		1218041-00 BUMPER,RUBBER W/STEM	1	1	1	1	1	1	1	1	1	1	1	1	1
59	59		9009636-00 CLAMP, CABLE, FOR FLAT CABLE	3	3	3	3	3	3	3	3	3	3	3	3	3
60	60	E-MD-7423954-0-DBU	7423954-00 CARD CAGE	1	1	1	1	1	1	1	1	1	1	1	1	1
61	61	D-UA-5413009-0-0	5413009-03 VT100 BASIC VIDEO	1	1	1	1	1	1	-	-	-	-	-	-	-
62	62	D-IA-7014978-0-0	7014978-03 DC POWER CABLE VT100 FCC	1	1	1	1	1	1	1	1	1	1	1	1	1
63	63		3617880-03 LABEL,FCC CLASS A PERIPHERAL	1	1	1	1	1	1	1	1	1	1	1	1	1
64	64	B-IA-7017970-0-0	7017970-YA CABLE GROUNDING 3.5	1	1	1	1	1	1	1	1	1	1	1	1	1
65	65	D-UA-5413009-0-0	5413009-05 VT100 BASIC VIDEO	-	-	-	-	-	-	-	1	1	1	1	1	1

! D ! I ! G ! I ! T ! A ! L !	! TITLE	! SECTION A OF B	! SIZE ! CODE !	! DOCUMENT NUMBER	! REV !
	VT100 UNIT ASSY.		K ! PL !	VT100-0-DBP	AA

ML3

PARTS LIST

LINE	ITEM	DOCUMENT NUMBER	PART NUMBER	DESCRIPTION	QUANTITY PER VARIATION											
					WJ	WK	WY	WZ	LA	LB	PA	PB	PC	PD	PE	PF
31	31		9010135-00	SCREW,FLAT,SLOT 8-32X 1/2	4	4	4	4	4	4	4	4	4	4	4	4
32	32	E-UA-7014653-0-0	7014653-05	*** THIS ITEM IS NOT USED ***	-	-	-	-	-	-	-	-	-	-	-	-
33	33	E-UA-7014653-0-0	7014653-06	*** THIS ITEM IS NOT USED ***	-	-	-	-	-	-	-	-	-	-	-	-
34	34	E-UA-7014653-0-0	7014653-07	*** THIS ITEM IS NOT USED ***	-	-	-	-	-	-	-	-	-	-	-	-
35	35	E-UA-7014653-0-0	7014653-08	KEYBD ASSY GERMAN WP KEYCAPS	1	1	-	-	-	-	-	-	-	-	-	-
36	36	D-UA-5413097-0-0	5413097-03	VT100 ADVANCED VIDEO	1	1	1	1	-	-	-	-	-	-	-	-
37	37		5413009-02	*** THIS ITEM IS NOT USED ***	-	-	-	-	-	-	-	-	-	-	-	-
38	38		3016080-53	/REPLACED BY 70-18349-00	-	-	-	-	1	1	-	-	-	-	-	-
39	39	D-IA-7014974-0-0	7014974-02	ENCLOSURE CRT TOP ASSY W/DK. GRA	-	-	-	-	-	-	1	1	1	1	1	1
40	40	D-UA-7014653-0-0	7014653-10	KEYBD ENCLOSURE ASSY NO KEYBD	-	-	-	-	-	-	-	-	-	-	1	1
41	41	D-UA-7014653-0-0	7014653-09	KEYBD/KEYCAP ASSY DARK GRAY	-	-	-	-	-	-	1	1	1	1	-	-
42	42		3616157-00	LABEL,CORRECT VOLTAGE SETTING,CA	1	1	1	1	1	1	1	1	1	1	1	1
43	43	B-IA-7423018-0-0	7423018-00	ISOLATION MOUNT.	2	2	2	2	2	2	2	2	2	2	2	2
44	44	B-MD-7423006-0-0	7423006-00	SCREW,HEX WASHER HD,4-40	2	2	2	2	2	2	2	2	2	2	2	2
45	45		9008193-00	WASHER, NYLON, FLAT .312 X .812	2	2	2	2	2	2	2	2	2	2	2	2
46	46		7016624-00	*** THIS ITEM IS NOT USED ***	-	-	-	-	-	-	-	-	-	-	-	-
47	47	D-IA-7419469-0-0	7419469-00	STOP P.C. CARD	1	1	1	1	1	1	1	1	1	1	1	1
48	48		1212405-00	CARD GUIDE,NYLON	2	2	2	2	2	2	2	2	2	2	2	2
49	49	A-PS-3617544-0-0	3617544-00	LABEL,X-RAY RADIATION	1	1	1	1	1	1	1	1	1	1	1	1
50	50		3617674-01	LABEL,SERIAL & POWER W/UL & CSA	1	1	1	1	1	1	1	1	1	1	1	1
51	51		9010234-00	CLIP,CONN MTG. ZINCP	4	4	4	4	4	4	4	4	4	4	4	4
52	52	E-UA-5413097-0-0	5413097-01	*** THIS ITEM IS NOT USED ***	-	-	-	-	-	-	-	-	-	-	-	-
53	53	E-IA-7017434-0-DBU	7017434-00	CHASSIS WELDMNT	1	1	1	1	1	1	1	1	1	1	1	1
54	54		1217594-00	STANDOFF,POLYCARB 3/8"	4	4	4	4	4	4	4	4	4	4	4	4
55	55		9009964-00	PLUNGER, 5/16 DIA	4	4	4	4	4	4	4	4	4	4	4	4
56	56		9009966-01	GROMMET, SNAP-IN, 5/16 DIA	4	4	4	4	4	4	4	4	4	4	4	4
57	57		9009624-00	BUMPR,SQ.,ADH.BACK RUB-POLYU	1	1	1	1	1	1	1	1	1	1	1	1
58	58		1218041-00	BUMPER,RUBBER W/STEM	1	1	1	1	1	1	1	1	1	1	1	1
59	59		9009636-00	CLAMP, CABLE, FOR FLAT CABLE	3	3	3	3	3	3	3	3	3	3	3	3
60	60	E-MD-7423954-0-DBU	7423954-00	CARD CAGE	1	1	1	1	1	1	1	1	1	1	1	1
61	61	D-UA-5413009-0-0	5413009-03	VT100 BASIC VIDEO	-	-	-	-	1	1	1	1	-	-	-	-
62	62	D-IA-7014978-0-0	7014978-03	DC POWER CABLE VT100 FCC	1	1	1	1	1	1	1	1	1	1	1	1
63	63		3617880-03	LABEL,FCC CLASS A PERIPHERAL	1	1	1	1	1	1	1	1	-	1	1	1
64	64	B-IA-7017970-0-0	7017970-YA	CABLE GROUNDING 3.5	1	1	1	1	1	1	1	1	-	-	-	-
65	65	D-UA-5413009-0-0	5413009-05	VT100 BASIC VIDEO	1	1	1	1	-	-	-	-	-	-	-	-

D I G I T A L										TITLE	SECTION B OF B			SIZE	CODE	DOCUMENT NUMBER	REV
										VT100 UNIT ASSY.				K	PL	VT100-0-DBP	AA

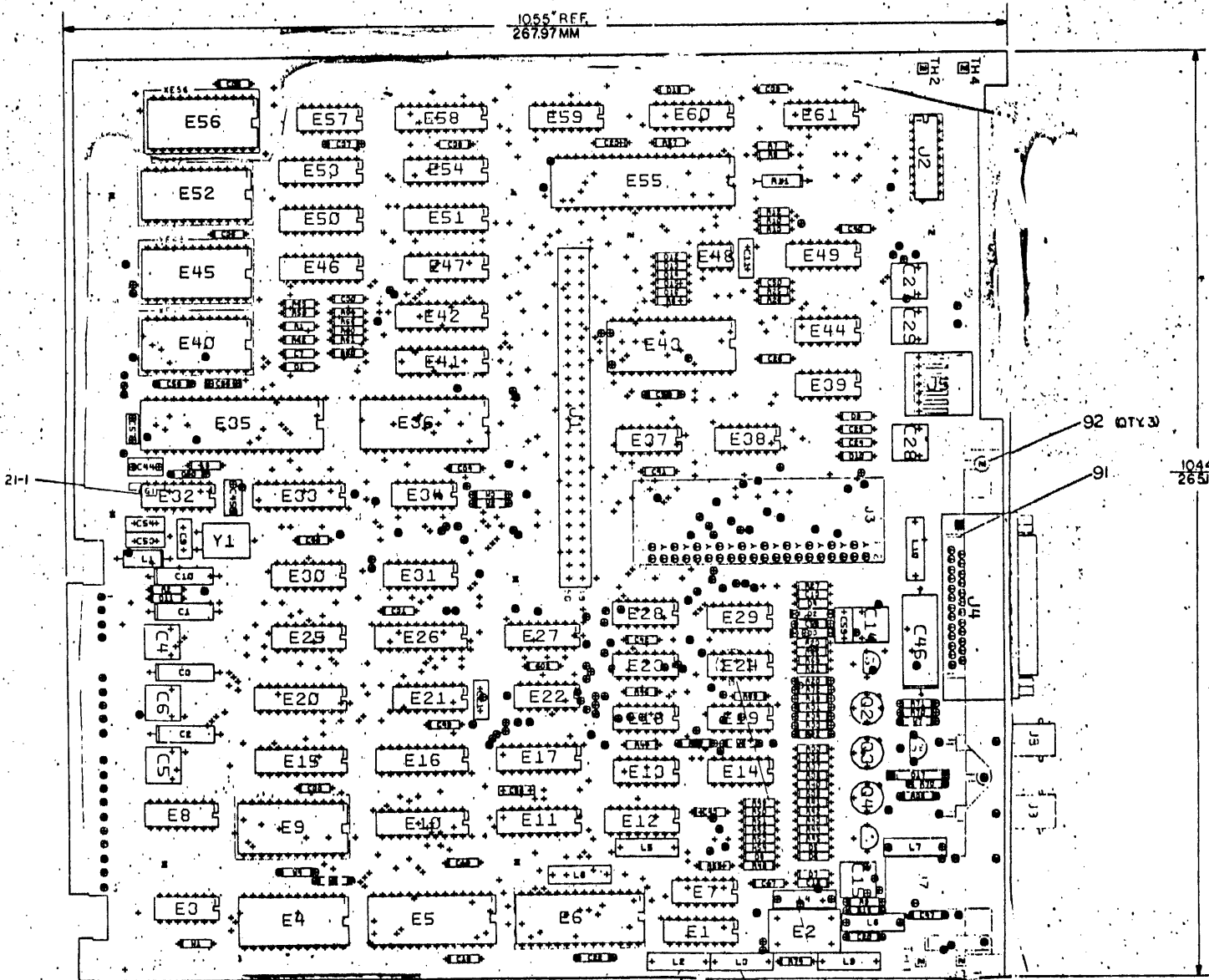
ML3



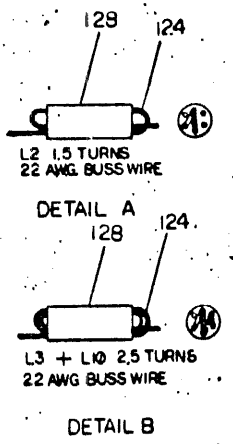
### REWORK INSTRUCTIONS

1. ADD A CAPACITOR C61 (ITEM 125) FROM E32 PIN 6 TO E32 PIN 8

1055 REF  
267.97MM



1044 REF  
263.18MM



SEE DETAIL A AND NOTE 3  
SEE DETAIL B AND NOTE 3  
SEE NOTE 1

NOTES: L24 (ITEM 88) CAN BE EITHER THE 14 PIN DIP OR THE 8 PIN ROUND TOB  
2. W5, W6, C16, R55, C48, D17, W2, W59, C52, R70, R73, AND Q6 ARE FOR FUTURE USE  
3. ENSURE THAT L2, L3, AND Q6 REMAIN TOUGH AND DO NOT INTERFERE WITH CARD GUIDES

STEP	Y AXIS	STEP	X AXIS
1	1	1	1
2	2	2	2
3	3	3	3
4	4	4	4
5	5	5	5
6	6	6	6
7	7	7	7
8	8	8	8
9	9	9	9
10	10	10	10

ITEM	DESCRIPTION	QTY	UNIT

REV	DATE	BY	CHKD

SIGNATURE	DATE	digital
TITLE	VT100	
PROJECT	BASIC VIDEO	
SCALE	1 OF 1	

LINE	ITEM	DOCUMENT NUMBER	PART NUMBER	DESCRIPTION	QTY PER VARIATION				REFERENCE DESIGNATOR
					03	04	05	99	
629	30		1300365-00	1.0 K .25 W 5.0 % CC	2	2	2	2	R35, R67
630	31		1300398-00	1.80 K .25 W 5.0 % CC	1	1	1	1	R31
631	32		1300417-00	2.20 K .25 W 5.0 % CC	5	5	5	5	R18, R20, R22, R23, R27
632	33		1300426-00	2.70 K .25 W 5.0 % CC	1	1	1	1	R7
633	34		1300447-00	4.70 K .25 W 5.0 % CC	1	1	1	1	R25
634	35		1300473-00	10.0 K .25 W 5.0 % CC	4	4	4	4	R2, R6, R12, R26
635	36		1301317-00	10.0 .25 W 5.0 % CC	1	1	1	1	R57
636	37		1301422-00	7.50 K .25 W 5.0 % CC	8	8	8	8	R59-R66
637	38		1301424-00	680.0 .25 W 5.0 % CC	1	1	1	1	R37
638	39		1301425-00	300.0 .25 W 5.0 % CC	1	1	1	1	R50
639	40		1301475-00	1.10 K .25 W 5.0 % CC	1	1	1	1	R32
640	41		1301874-00	5.60 K .25 W 5.0 % CC	1	1	1	1	R9
641	42		1301972-00	270.0 .25 W 5.0 % CC	1	1	1	1	R38
642	43		1302379-00	75.0 .25 W 5.0 % CC	4	4	4	4	R35, R45, R52, R54
643	44		1302391-00	20.0 K .25 W 5.0 % CC	2	2	2	2	R43, R48
644	45		1303178-00	620.0 .25 W 5.0 % CC	1	1	1	1	R49
645	46		1303187-00	820.0 K .25 W 5.0 % CC	1	1	1	1	R8
646	47		1304833-00	1.96 K .25 W 1.0 % RN550-F10	1	1	1	1	R15
647	48		1313580-00	360.0 .25 W 5.0 % CC	1	1	1	1	R39
648	49		1314673-00	36.0 .25 W 5.0 % CC	1	1	1	1	R53
649	50		1501913-00	2N 2904A PNP 600MW SI 60 40 Y	3	3	3	3	Q2, Q3, Q4
650	51		1503409-00	DEC6534D PNP 310MW SI 40 90	1	1	1	1	Q1
651	52		1509524-00	2N 3904 NPN 310MW SI 40 40 M	1	1	1	1	Q5
652	53		1810694-06	XTAL 24.8632 MHZ	1	1	1	1	Y1
653	54		1814830-00	OSCILLATOR, XTAL 24.073 MHZ	1	1	1	1	E2
654	55		1909686-00	7404 INVERTER GATE-HEX II	1	1	1	1	E38
655	56		1909928-00	7416 INVERTER GATE-HEX II	2	2	2	2	E14, E18
656	57		1909929-00	7417 BUFFER GATE-HEX IINP	1	1	1	1	E29
657	58		1910236-00	DEC 7426 NAND GATE-QUAD 2IN, 0	1	1	1	1	E7
658	59		1910322-00	DEC 1488L DRIVER, LINE, QUAD, EI	1	1	1	1	E39
659	60		1912847-00	LS157 MUX 1 OF 2(QUAD)	1	1	1	1	E1
660	61		1912697-00	LS174 FF-D HEX W/CLEAR	2	2	2	2	E49, E61
661	62		1912799-00	LS00 NAND-GATE-QUAD 2IN, P	2	2	2	2	E23, E34
662	63		1912803-00	74LS04 INVERTER GATE, HEX	1	1	1	1	E19
663	64		1912815-00	LS30 NAND GATE-SINGLE 9IN	1	1	1	1	E3
664	65		1912818-00	LS38 NAND BUFFER-QUAD 2IN	1	1	1	1	E28
665	66		1912824-00	LS74 FF-D DUAL EDGE TRIGG	2	2	2	2	E13, E22
666	67		1912842-00	LS138 DECODER-THREE INPUT,	1	1	1	1	E27
667	68		1912843-00	LS139 DECODER, 2 OF 4(DUAL	1	1	1	1	E31
668	69		1912854-00	LS193 COUNTER, SYNCHR, 4BIT,	3	3	3	3	E21, E25, E30
669	70		1912863-00	LS273 FF-D OCTAL W/CLEAR	2	2	2	2	E16, E20
670	71		1913105-00	PB 8224C DRIVER/GEN CLOCK F	1	1	1	1	E32
671	72		1913109-00	8228 BUFFER, DATA BASE FOR	1	1	1	1	E35
672	73		1913130-00	DEC 1489A RECEIVER, LINE, QUAD,	2	2	2	2	E27, E44
673	74		1914084-00	74S299 SHIFT REG, 8BIT RIGH	1	1	1	1	E10
674	75		1914156-00	LM 393 VOLT. COMPARATOR DUAL	1	1	1	1	E48
675	76		1914213-00	81LS97 BUFFER GATE-OCTAL 2I	4	4	4	4	E15, E41, E42, E59
676	77		1914214-00	LS374 FF-D OCTAL EDGE TRIG	2	2	2	2	E26, E33

D	I	G	I	T	A	L	TITLE	VT100 BASIC VIDEO	SECTION A OF A	SIZE	CODE	DOCUMENT NUMBER	REV
										K	PL	5413009-0-DBP	AB

LINE	ITEM	DOCUMENT NUMBER	PART NUMBER	DESCRIPTION	QTY PER VARIATION				REFERENCE DESIGNATOR
					03	04	05	99	
1	1	D-M9-5013008-0-0	5013008-00	VT100 BASIC VIDEO	1	1	1	1	
2	2		1000005-00	6.8 MMF 100V 5%200PPM MICA	1	1	1	1	C9
3	3		1000014-00	68.0 MMF 100V 5%200PPM MICA	1	1	1	1	C11
4	4		1000016-00	100.0 MMF 100V 5%200PPM MICA	2	2	2	2	C21,C54
5	5		1000076-00	39 MFD 10V 10% S.TANT	1	1	1	1	C10
6	6		1017472-00	10 MFD 35V +50-10% AL EL	3	3	3	3	C1,C2,C3
7	8		1010274-01	.22 MFD 50V +80-20% Z5U CER	13	13	13	13	C4-C6,C14,C15,C27-C29,C44,C45, CONT C55,C56,C59
8	9		1012784-00	.047 MFD 50V +80-20% CER	25	25	25	25	C7,C8,C13,C18,C19,C22,C24,C25, CONT C30-C43,C48-C50
9	10		1013466-12	2200.0 MMF 50V 10% X7R CER	1	1	1	1	C26
10	11		1100114-00	D 664 QS\75PCB PIV= 25V SP	11	11	11	11	D4-D8,D11-D16
11	12		1105796-00	1N 4004 PIV=400 I= 1A D041 SP	2	2	2	2	D9,D10
12	13		1109502-03	1N 4742A VZ= 12.0 5% 1W	1	1	1	1	D3
13	14		1110994-00	1N 751A VZ= 5.1 5% .40W	1	1	1	1	D1
14	15		1114974-00	1N 4741A VZ= 11.0 5% 1W	1	1	1	1	D2
15	16		1215006-06	SKT,IC 24PIN DIP TIN PLATE	5	5	5	5	XE9,XE40,XE45,XE52,XE56
16	17		1211666-00	SKT,IC 18PIN DIP GOLD PLATE	1	1	1	1	J2
17	18		1214063-01	HEADER.150 50POS STRAIGHT	1	1	1	1	J1
18	19		1214828-00	CONN, 25POS RCPT	1	1	1	1	J4
19	20		1214829-00	EDGE CARD 40POS RT ANGLE .125CC	1	1	1	1	J3
20	21		1215048-01	CONN 7POS RT ANGLE	1	1	1	1	J5
21	22		1300005-07	R NETWORK 15-4.7K 5.0 % 16PIN	3	3	3	3	E8,E12,E59
22	23		1300219-00	68.0 .25 W 5.0 % CC	1	1	1	1	R40
23	24		1300229-00	100.0 .25 W 5.0 % CC	1	1	1	1	R34
24	25		1300250-00	150.0 .25 W 5.0 % CC	3	3	3	3	R51,R68,R74
25	26		1300271-00	220.0 .25 W 5.0 % CC	1	1	1	1	R41
26	27		1300295-00	330.0 .25 W 5.0 % CC	3	3	3	3	R1,R46,R47
27	28		1300315-00	470.0 .50 W 5.0 % CC	1	1	1	1	R11
28	29		1300316-00	470.0 .25 W 5.0 % CC	1	1	1	1	R21

REVISION HISTORY		BASIC PART NO: 5413009		DRN: T. SHETRAWSKI		DATE: 30-MAR-78		D I G I T A L	
ENG	ECO NUMBER	REV	SECTION A OF A	CHK'D:	T. SHETRAWSKI	DATE:	11-MAR-78	TITLE	PARTS LIST
JD	5413009-PN010	N	SECTION.VARIATION INDEX	CHK'D:	T. SHETRAWSKI	DATE:	11-MAR-78	VT100 BASIC VIDEO	
---	5413009-MLO11	P	[A] 03,04,05,99						
RP	MLO12	R	[B]						
CJ	5413009-MLO13	S	[C]	DES.ENG:	D. PUCCI	DATE:	30-MAR-78		
RP	5413009-MLO14	T	[D]						
RP	5413009-MLO15	U	[E]						
RP	5413009-MLO16	V	[F]	RESP.ENG.:	D. PUCCI	DATE:	30-MAR-78	DOCUMENT NUMBER	
DP	5413009-MLO17	W	[H]					SIZE CODE NUMBER	REV
DP	5413009-MLO18	Y	[J]						
JD	5413009-MLO19	Z	[K]	MFG.ENG.:	T. CORCIARI	DATE:	30-MAR-78	K PL 5413009-0-DBP	AB
RP	5413009-MLO20	AA	[L]						
NW	5413009-MLO21	AB	[M]	ASSEMBLY NUMBER:	E-UA-5413009-C-0	TOP DOCUMENT NUMBER:	B-DD-5413009-0-0	FILE NAME:	MLO1AB.PLS
			[N]						EDIT # 23

"THIS DRAWING AND SPECIFICATIONS HEREIN, ARE THE PROPERTY OF DIGITAL EQUIPMENT CORPORATION AND SHALL NOT BE REPRODUCED OR COPIED OR USED IN WHOLE OR IN PART AS THE BASIS FOR THE MANUFACTURE OR SALE OF ITEMS WITHOUT WRITTEN PERMISSION. COPYRIGHT (C) 1991. DIGITAL EQUIPMENT CORPORATION"

PARTS LIST

LINE	ITEM	DOCUMENT NUMBER	PART NUMBER	DESCRIPTION	QTY PER VARIATION				REFERENCE DESIGNATOR
					03	04	05	99	
77	81		1914423-01	CUSTOM LSI-BIPOLAR LS	1	1	1	1	E6
78	82		1914424-01	CUSTOM LSI-BIPOLAR L	1	1	1	1	E5
79	83		2112623-02	DUAL BAUD RATE GEN/PROG DIVIDER	1	1	1	1	E60
80	84		2113106-01	1K MOS RAM 250NS	2	2	2	2	E11,E17
81	85		2113107-01	P 8251A PUSART COMM. INTERFA	1	1	1	1	E43
82	86		2113108-01	8080A-1 MICROPROCESSOR UNIT	1	1	1	1	E35
83	87		2113937-00	UART 125K BUAD	1	1	1	1	E55
84	88		2114212-00	P 2114-2 RAM,1024X4,STATIC	6	6	6	6	E46,E47,E50,E51,E53,E54
85	89		2114524-01	ROM 100X14BIT,ERASABLE,	1	1	1	1	E24
86	90		23018E2-00	E2-03	1	1	1	1	E4
87	91		7424901-01	BRACKET,GROUNDING,EIA CONNECTOR	1	1	1	1	
88	92		9006732-00	EYELET,ROLL FLANGE .1210DX .219	3	3	3	3	
89	93		9009185-00	JUMPER,WIRE,INSULATED,BLACK B	4	4	4	4	W1,W3,W4,W7
90	94		23061E2-00	E2-02	1	-	-	-	E56
91	95		23032E2-00	E2-02	1	-	-	-	E52
92	96		23033E2-00	E2-02	1	-	-	-	E45
93	97		23034E2-00	E2-02	1	-	-	-	E40
94	98		1001610-00	.01 MFD 50V +80-20% Z5U CER	4	4	4	4	C16,C17,C23,C51
95	99		1301320-00	1.20 K .25 W 5.0 % CC	1	1	1	1	R30
96	100		1301322-00	180.0 .25 W 5.0 % CC	1	1	1	1	R33
97	101		1301477-00	82.0 .25 W 5.0 % CC	1	1	1	1	R42
98	102		1300202-00	47.0 .25 W 5.0 % CC	1	1	1	1	R44
99	103		1303155-00	21.50 K .25 W 1.0 % RN55D-F10	1	1	1	1	R10
100	104		1309412-00	18.20 K .25 W 1.0 % RN55D-F10	1	1	1	1	R13
101	105		1609620-00	2.2 UH #RFCS2.2	1	1	1	1	L1
102	106		1002608-00	18.0 MMF 100V 55200PPM MICA	1	1	1	1	C53
103	107		1013466-05	56.0 MMF 50V 5% CER	1	1	1	1	C47
104	108		23180E2-00	E2-02	-	1	1	-	E56
105	109		23181E2-00	E2-02	-	1	1	-	E52
106	110		23182E2-00	E2-02	-	1	1	-	E45
107	111		23183E2-00	E2-02	-	1	1	-	E40
108	112		1215006-07	SKT,IC 28PIN DIP TIN PLATE	1	1	1	1	XE6
109	113		23094E2-00	E2-03,E2-04	-	-	1	-	E9
110	114	A-SP-3700553-0-0	3700553-00	PKG MODULE 5413009	REF	REF	REF	REF	
111	115	A-SP-3700428-0-0	3700428-00	INSTR PKG. BULK CARTON 99-06476-	REF	REF	REF	REF	
112	116		1300005-03	R NETWORK 13-10K 5.0 % 14PIN	1	1	1	1	E57
113	117		1000021-00	220.0 MMF 100V 5%200PPM MICA	1	1	1	1	C57
114	118		9107560-01	WIRE,BUSS,22AWG	A/R	A/R	A/R	A/R	
115	119		1013466-24	47.0 MMF 50V 5% CER	3	3	3	3	C51,C58,C50
116	120		1013466-19	470.0 MMF 50V 5% CER	1	1	1	1	C20
117	121		1618238-02	BEAD,FERRITE .1380DX.380LG	6	6	6	6	L4-L9
118	122		1618437-00	BEAD,FERRITE .2360DX.394LG	3	3	3	3	L2,L3,L10

119 NOTE: FOR INDIVIDUAL FIELD SERVICE/CUSTOMER SPARES SHIPMENTS USE PACKAGING INSTRUCTION, A-SP-3700553-0-0;

D	I	G	I	T	A	L	TITLE	SECTION	OF	SIZE	CODE	DOCUMENT NUMBER	REV
							VT100 BASIC VIDEO	A	A	K	PL	5413009-0-DBP	AB

AUTOMATED BY PRTLST.10(11)

PARTS LIST

SHEET A4 OF A4

QTY PER VARIATION:  
03 04 05 99

REFERENCE DESIGNATOR

LINE ITEM DOCUMENT NUMBER PART NUMBER DESCRIPTION

120 NOTE: FOR BULK INTERPLANT SHIPMENTS USE PACKAGING INSTRUCTION, A-SP-3700428-0-0 VARIATION -02  
 121 NOTE: L2 REQUIRES THE INSERTION OF 1.5 TURNS OF 22 AWG BUSS WIRE SEE DETAIL ON E-UA-5413009-0-0.  
 122 NOTE: L3 AND L10 REQUIRES THE INSERTION OF 2.5 TURNS OF 22 AWG BUSS WIRE  
 123 NOTE: SEE DETAIL ON E-UA-5413009-0-0.

D	I	G	I	T	A	L	TITLE	VT100 BASIC VIDEO	SECTION A OF A	SIZE	CODE	DOCUMENT NUMBER	REV
										K	PL	5413009-0-DBP	AB

THIS DRAWING AND SPECIFICATIONS HEREAFTER ARE THE PROPERTY OF THE UNITED STATES GOVERNMENT AND SHALL BE LOANED TO YOU BY THE GOVERNMENT. IT IS TO BE RETURNED TO THE GOVERNMENT AT THE END OF THE LOAN PERIOD. IT IS TO BE KEPT IN THE ORIGINAL FORM AND NOT REPRODUCED OR TRANSMITTED IN ANY FORM OR BY ANY MEANS, ELECTRONIC OR MECHANICAL, INCLUDING PHOTOCOPYING, RECORDING, OR BY ANY INFORMATION STORAGE AND RETRIEVAL SYSTEM.

ADVANCED VIDEO CONN.

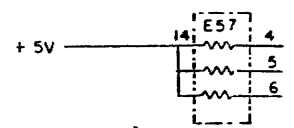
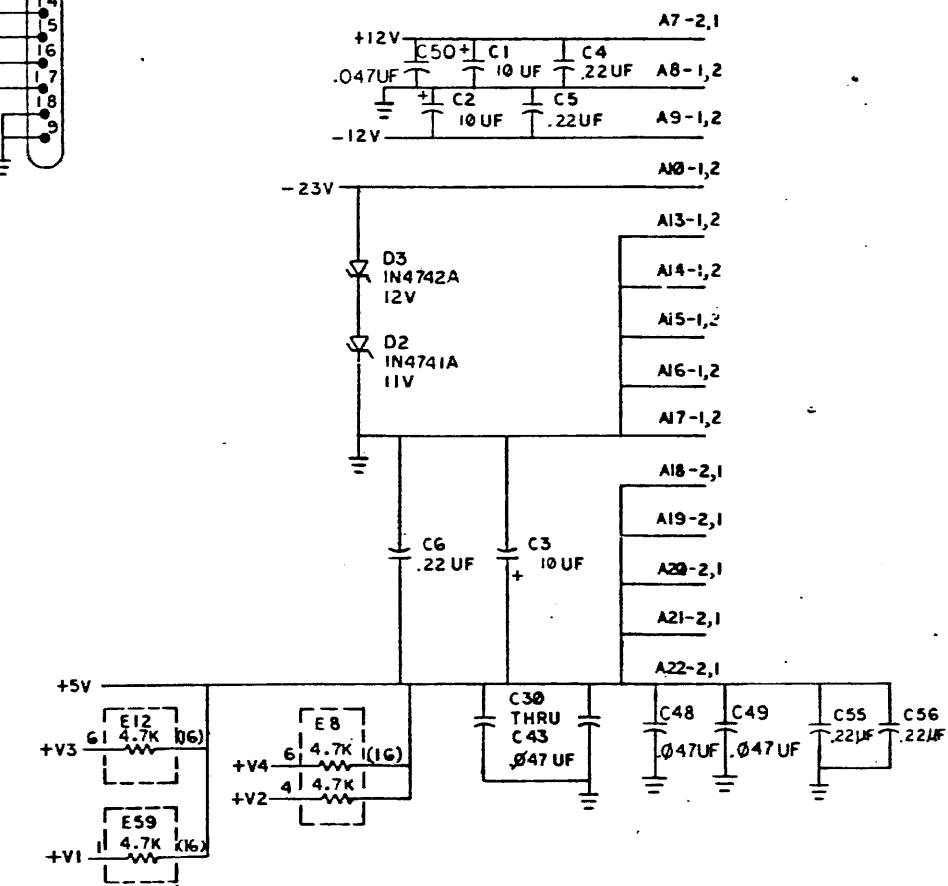
- A00 H
- A01 H
- A02 H
- A03 H
- A04 H
- A05 H
- A06 H
- A07 H
- A08 H
- A09 H
- A10 H
- A11 H
- A12 H
- A13 H
- A14 H
- A15 H
- DB 00 H
- DB 01 H
- DB 02 H
- DB 03 H
- DB 04 H
- DB 05 H
- DB 06 H
- DB 07 H
- BV4 DMA ENA L
- BV4 HOLD REQ H
- BV6 MEM RD L
- BV6 MEM WR L
- BV1 MEM DISABLE L
- BV2 SEL ATT RAM L
- BV2 SEL 8-12K L
- LBA 0 H
- LBA 1 H
- LBA 2 H
- LBA 3 H
- LBA 4 H
- LBA 5 H
- LBA 6 H
- LBA 7 H
- BV4 WRITE LB L
- BV4 CHAR CLK H
- BV1 BOLD L
- BV1 BLINK L
- BV1 UNDERLINE L
- BV1 ALT CHAR SET L
- +5V
- GND
- BV1 ADVANCED VIDEO L

GRAPHICS CONN

- DO 07 H
- DO 06 H
- DO 05 H
- DO 04 H
- DO 03 H
- DO 02 H
- DO 01 H
- DO 00 H
- BV4 H5 CLK H
- BV1 GRAPHICS FLAG L
- BV1 GRAPHICS 2 IN L
- BV4 INIT H
- BV4 HORIZ BLANK H
- BV2 GRAPHICS WR L
- BV4 VERT BLANK L
- BV1 GRAPHICS 1 IN L

EDGE CONN

- BV4 HORIZ DRIVE H A1-1,2
- A2-1,2
- DIRECT DRIVE VIDEO A3-2,1
- BV4 VERT DRIVE L A4-2,1
- LBA 5 H A11-1,2

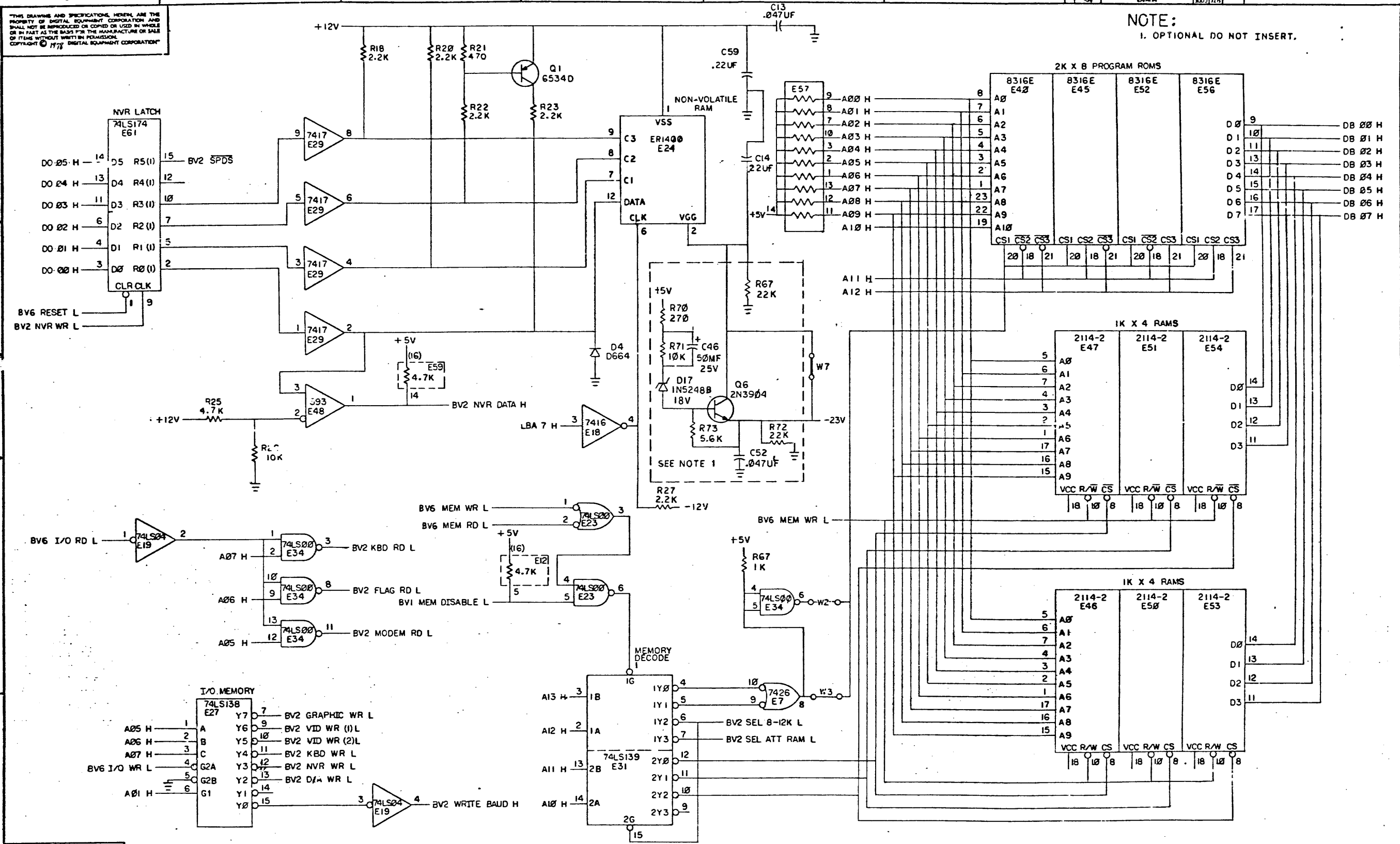


DRN	CHKD	ENG	PROJ	PROD	NEXT	SCALE	SHEET	OF	LIST
CS 5413009-0-1AA	CS 5413009-0-1AA	CS 5413009-0-1AA	CS 5413009-0-1AA	CS 5413009-0-1AA	CS 5413009-0-1AA	CS 5413009-0-1AA	1	6	

DRN	CHKD	ENG	PROJ	PROD	NEXT	SCALE	SHEET	OF	LIST
CS 5413009-0-1AA	CS 5413009-0-1AA	CS 5413009-0-1AA	CS 5413009-0-1AA	CS 5413009-0-1AA	CS 5413009-0-1AA	CS 5413009-0-1AA	1	6	

CS 5413009-0-1AA

NOTE:  
1. OPTIONAL DO NOT INSERT.



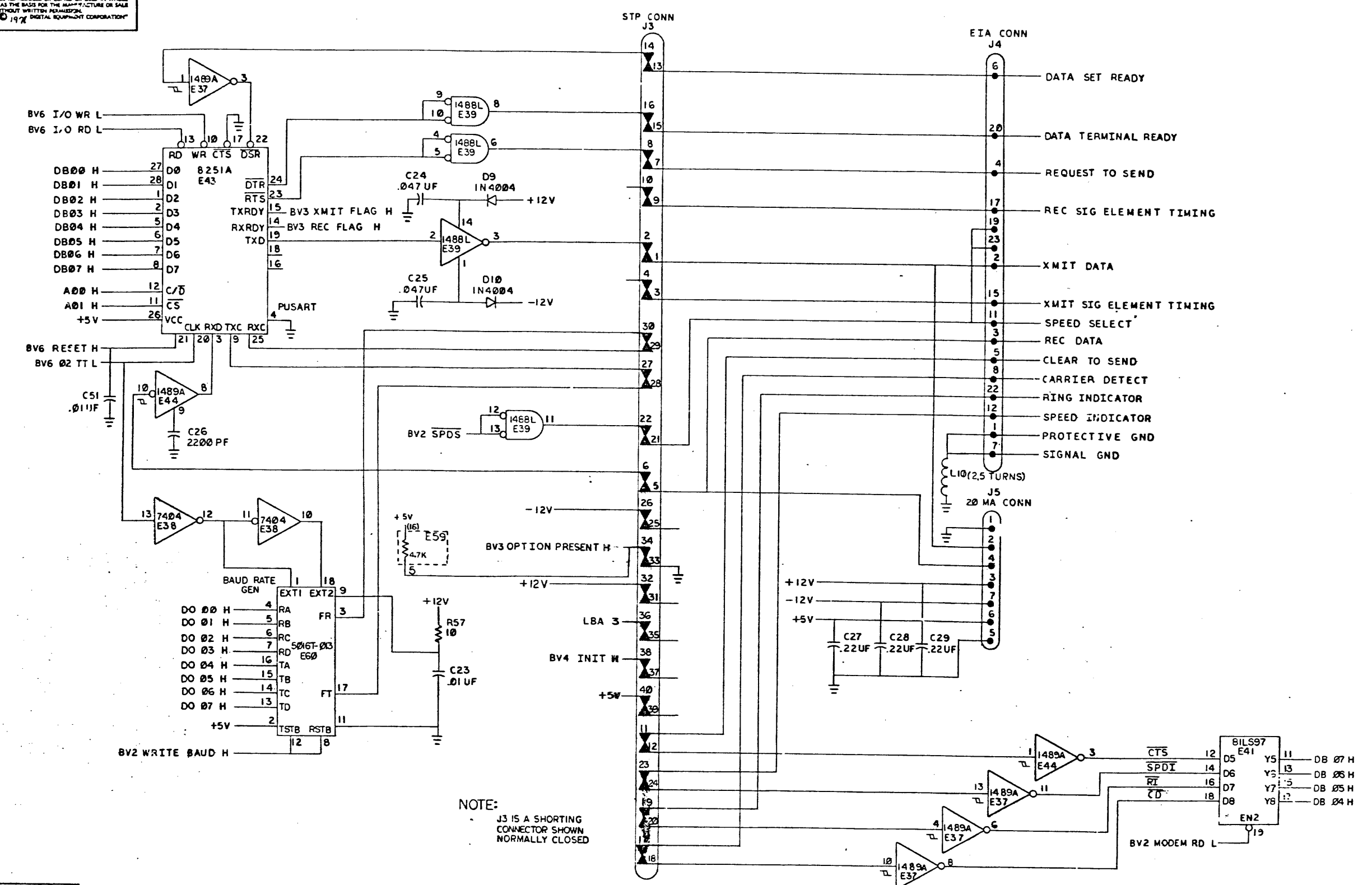
THIS DRAWING AND SPECIFICATIONS HEREIN ARE THE PROPERTY OF DIGITAL EQUIPMENT CORPORATION AND SHALL NOT BE REPRODUCED OR COPIED OR USED IN WHOLE OR IN PART AS THE BASIS FOR THE MANUFACTURE OR SALE OF ITEMS WITHOUT WRITTEN PERMISSION OF DIGITAL EQUIPMENT CORPORATION. COPYRIGHT © 1978

REVISIONS		
CHK	CHANGE NO.	REV.

TITLE	VT100 BASIC VIDEO (BV2)	SIZE CODE	DCS	NUMBER	5413009-0-1	REV.	AA
SCALE	+	SHEET	2	OF	6	DIST.	

DCS5413009-0-1AA

THIS DRAWING AND SPECIFICATIONS HEREIN ARE THE PROPERTY OF DIGITAL EQUIPMENT CORPORATION AND SHALL NOT BE REPRODUCED OR COPIED OR USED IN WHOLE OR IN PART AS THE BASIS FOR THE MANUFACTURE OR SALE OF ITEMS WITHOUT WRITTEN PERMISSION. COPYRIGHT © 1977 DIGITAL EQUIPMENT CORPORATION



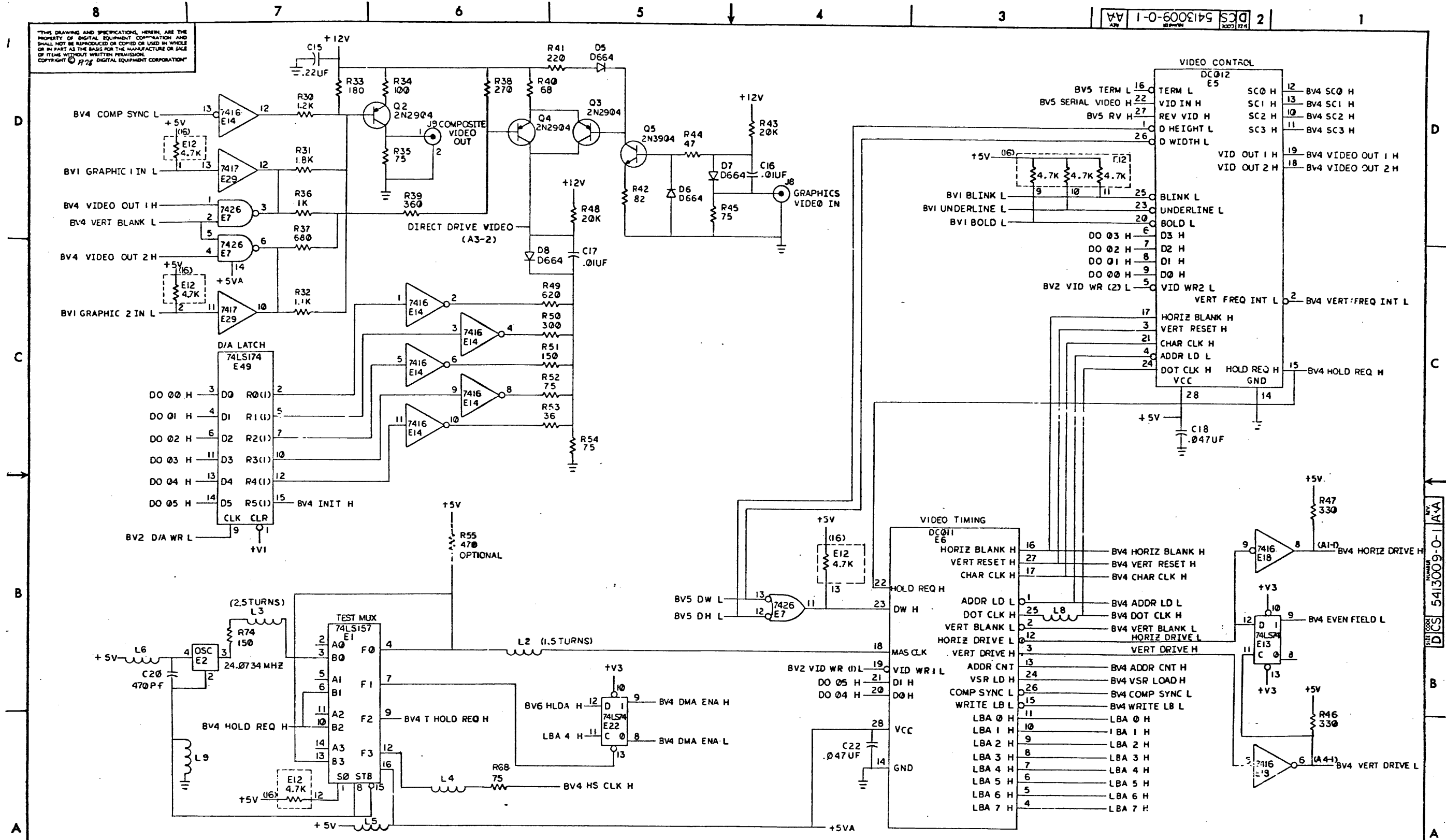
NOTE:  
J3 IS A SHORTING  
CONNECTOR SHOWN  
NORMALLY CLOSED

REVISIONS		
CHK	CHANNEL NO.	REV.



THIS DRAWING AND SPECIFICATIONS HEREIN ARE THE PROPERTY OF DIGITAL EQUIPMENT CORPORATION AND SHALL NOT BE REPRODUCED OR COPIED OR USED IN WHOLE OR IN PART AS THE BASIS FOR THE MANUFACTURE OR SALE OF ITEMS WITHOUT WRITTEN PERMISSION. COPYRIGHT © 1977 DIGITAL EQUIPMENT CORPORATION

DCS 5413009-0-1 AA



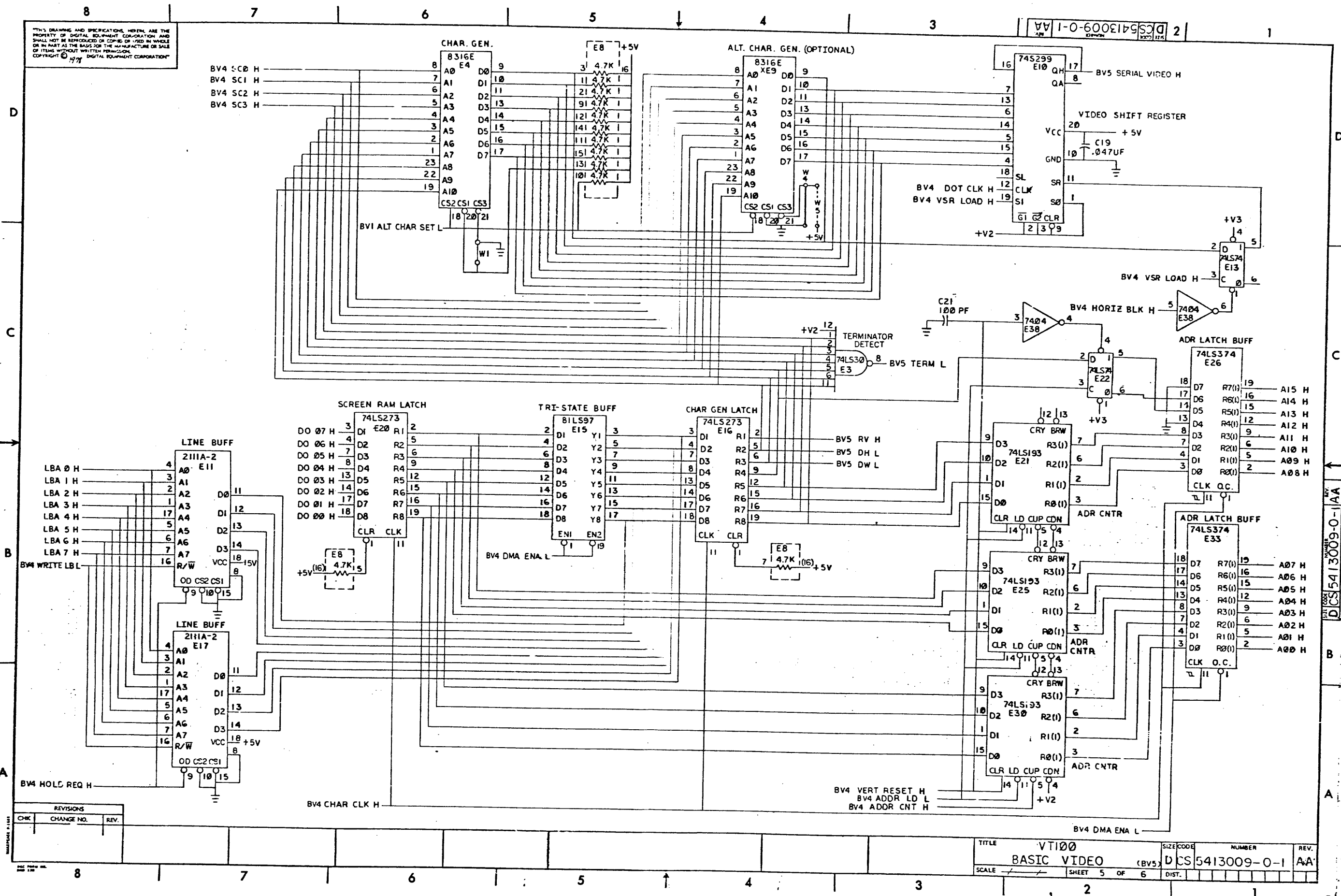
REVISIONS		
CHK	CHANG. NO.	REV.

TITLE	VT100 BASIC VIDEO (BV4)	SIZE CODE	DCS	NUMBER	5413009-0-1	REV.	AA
SCALE		SHEET	4	OF	6	DIST.	

DCS 5413009-0-1 AA

THIS DRAWING AND SPECIFICATIONS HEREIN ARE THE PROPERTY OF DIGITAL EQUIPMENT CORPORATION AND SHALL NOT BE REPRODUCED OR COPIED IN WHOLE OR IN PART AS THE BASIS FOR THE MANUFACTURE OR SALE OF ITEMS WITHOUT WRITTEN PERMISSION. COPYRIGHT © 1977 DIGITAL EQUIPMENT CORPORATION

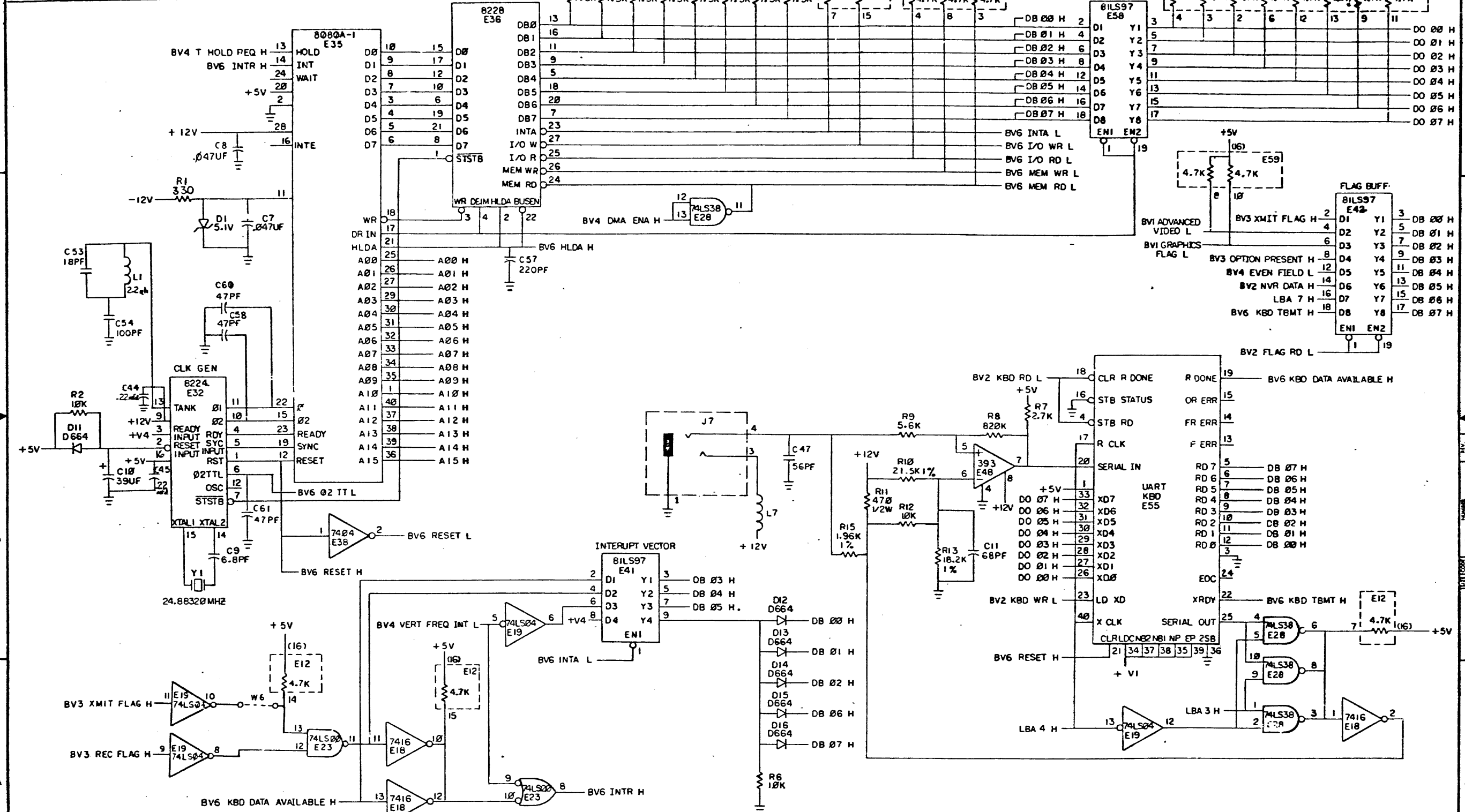
REV. AA DCS 5413009-0-1



REVISIONS		
CHK	CHANGE NO.	REV.

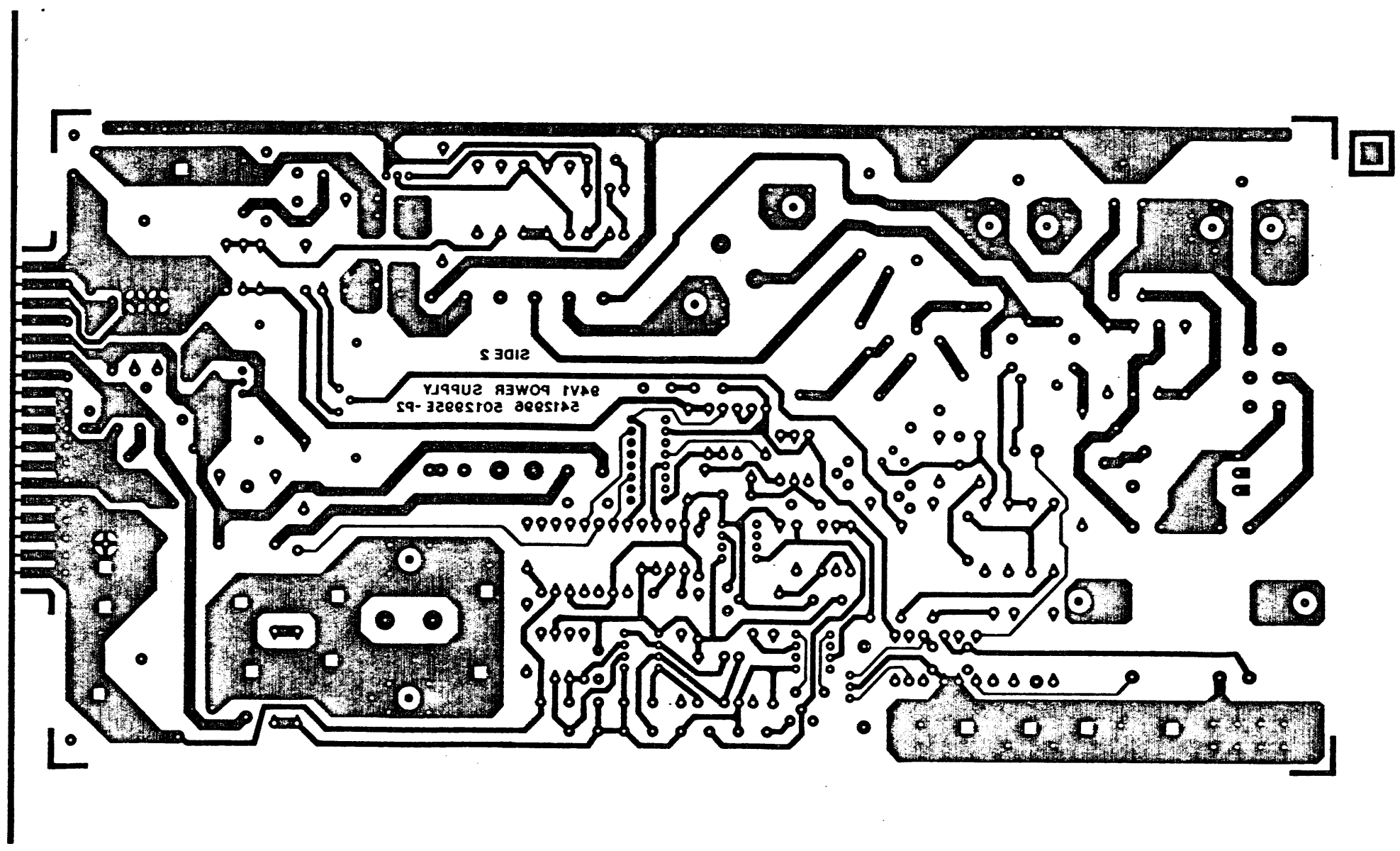
TITLE: VT100 BASIC VIDEO (BV5)  
 SIZE CODE: DCS 5413009-0-1  
 NUMBER: AA  
 SHEET 5 OF 6  
 SCALE: 1:1  
 DIST.:

THE DRAWING AND SPECIFICATIONS HEREIN ARE THE PROPERTY OF DIGITAL EQUIPMENT CORPORATION AND SHALL NOT BE REPRODUCED OR COPIED IN WHOLE OR IN PART AS THE BASIS FOR THE MANUFACTURE OF SIMILAR ITEMS WITHOUT WRITTEN PERMISSION. COPYRIGHT © 1978 DIGITAL EQUIPMENT CORPORATION



REVISIONS		
CHK	CHANGE NO.	REV.

THIS DRAWING AND SPECIFICATIONS HEREIN ARE THE PROPERTY OF DIGITAL EQUIPMENT CORPORATION AND SHALL NOT BE REPRODUCED OR COPIED OR USED IN WHOLE OR IN PART AS THE BASIS FOR THE MANUFACTURE OR SALE OF ITEMS WITHOUT WRITTEN PERMISSION. COPYRIGHT © 1970 DIGITAL EQUIPMENT CORPORATION



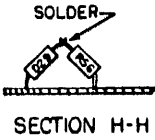
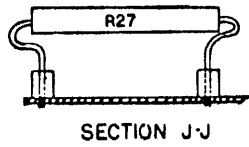
2415988 2015982E -P2  
HVA1 POWER SUPPLY  
SIDE 2

U17 VBBB0AY

REVISIONS		
CHK	CHANGE NO	REV.

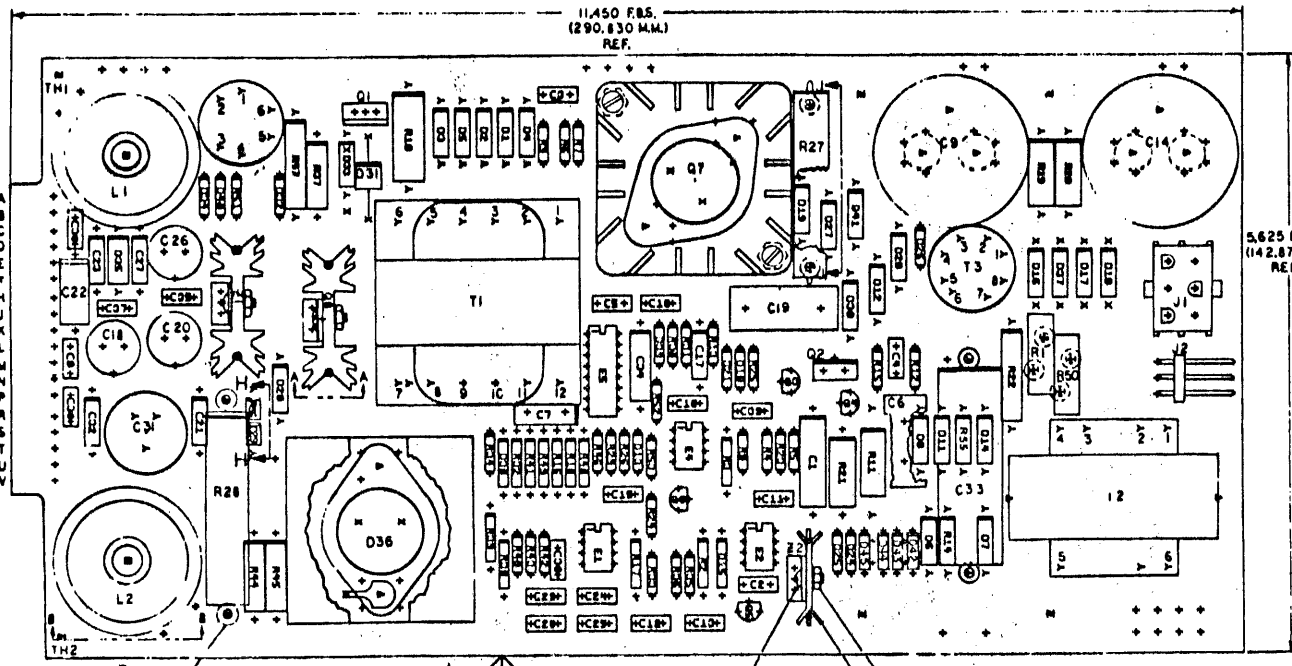
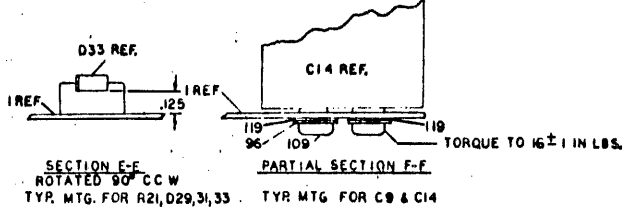
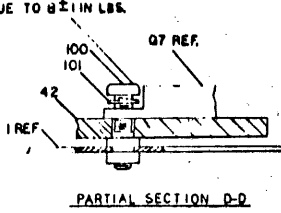
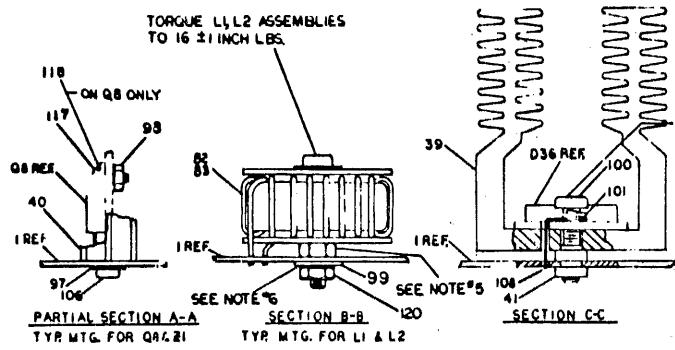
TITLE	H7831 POWER SUPPLY	SIZE CODE	D UA	NUMBER	5412996-0-0	REL	N
SCALE	2/1	SHEET	2	OF	3	DIST	

5412996-0-0



NOTES:  
5. BEFORE ASSEMBLING ITEMS #92 & #93, THE NUT USED ON THESE ASSEMBLIES SHOULD BE LOCKED INTO PLACE USING PERMABOND 240/240S OR LOCTITE 414.

6. MAXIMUM ALLOWABLE PROTRUSION ON SIDE TWO OF ETCH BOARD FROM BOTTOM OF ETCH BOARD TO BOTTOM OF NYLON OR SCREW PROTRUSION IS 130 MIL.



NOTES:  
1. THIS BOARD REQUIRES UZI APPROVAL  
2. BOARD MUST BE INSPECTED AND ACCEPTED UP  
OFF THE BOARD USING PERMABOND  
3. BOARD MUST BE INSPECTED WITH PERMABOND  
4. IN PART D SIZE  
5. SEE NOTES ON SHEET

REV.	DATE	DESCRIPTION
1		
2		
3		
4		

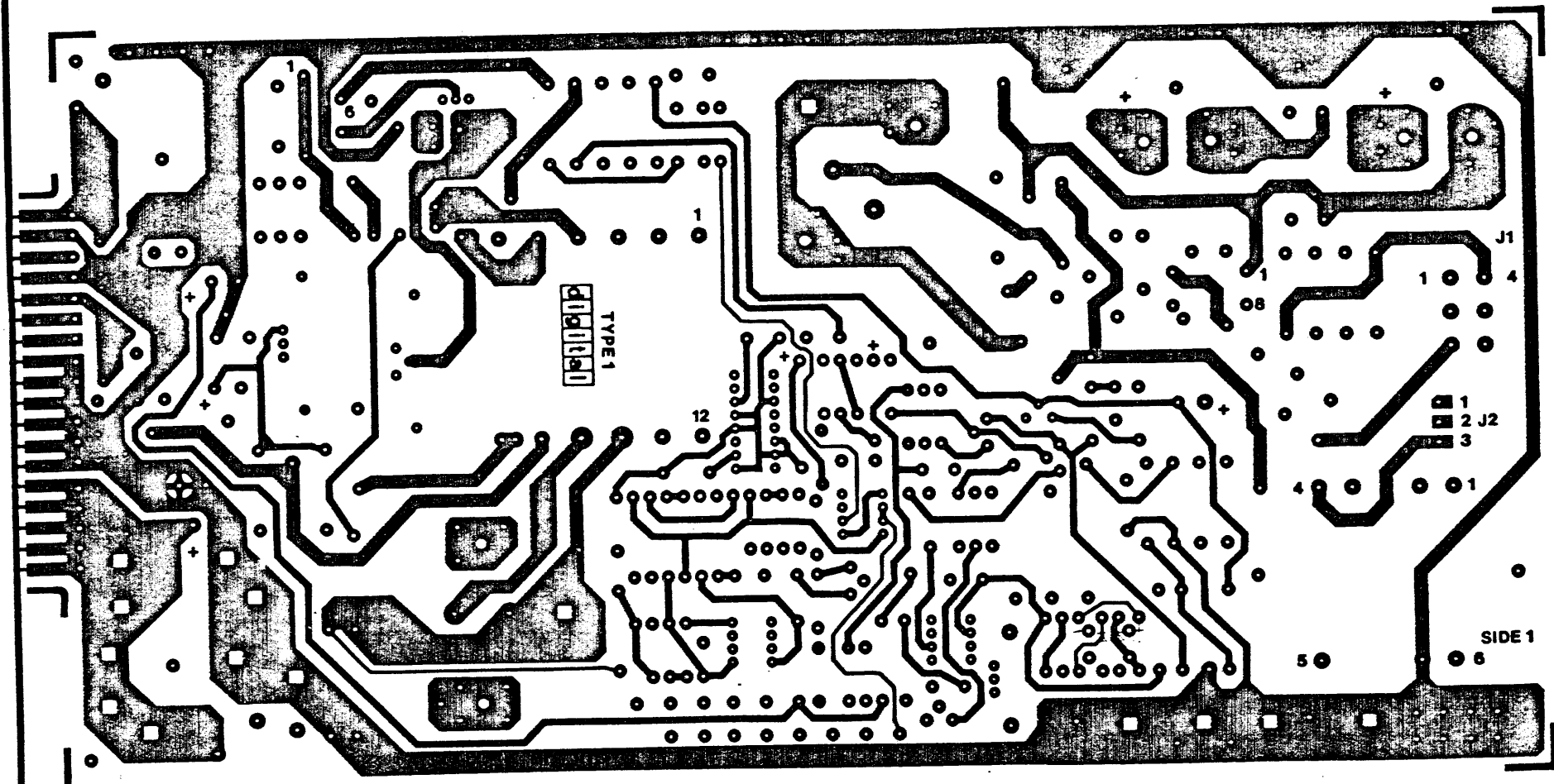
REVISIONS:  
1. REV. 1 - D.C.  
2. REV. 2 - D.C.

SIGNATURE	DATE	TITLE
DRN. [Signature]	3/28/73	
CHK. D. [Signature]	4/2/73	
ENG. [Signature]	4/10/73	
PROJ. ENG. [Signature]	4/21/73	
PROD.		
SCALE 2/1		
PART NUMBER: H-00-5412996-0		STOCK NUMBER: H-00-5412996-0

COMPOUND 111711

DJA 5412996-0-0 N 2

THIS DRAWING AND SPECIFICATIONS HEREIN ARE THE PROPERTY OF DIGITAL EQUIPMENT CORPORATION AND SHALL NOT BE REPRODUCED OR COPIED OR USED IN WHOLE OR IN PART AS THE BASIS FOR THE MANUFACTURE OR SALE OF ITEMS WITHOUT WRITTEN PERMISSION. COPYRIGHT ©1979 DIGITAL EQUIPMENT CORPORATION



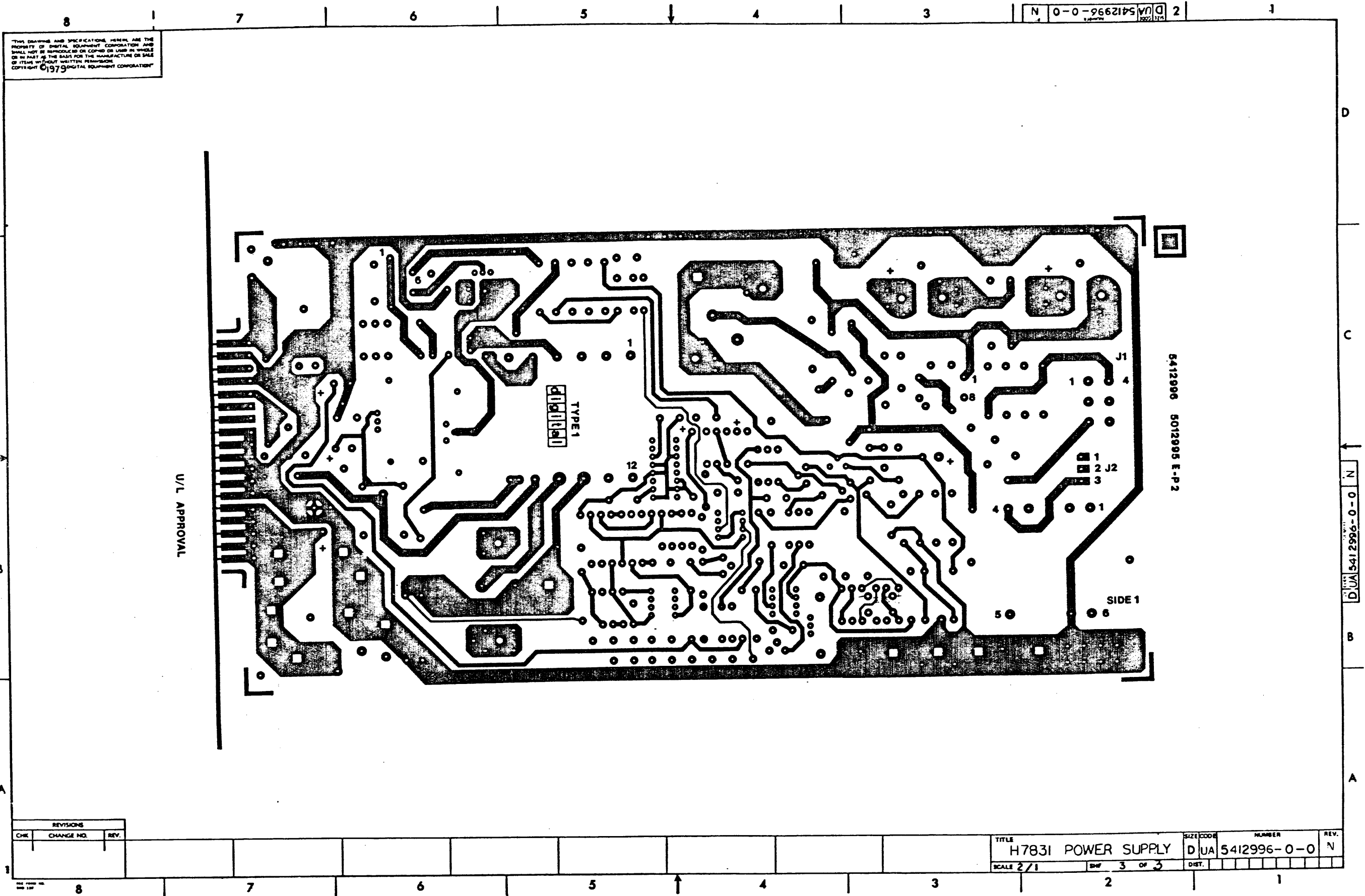
U/L APPROVAL

5412996 5012996 E-P 2

SIDE 1

REVISIONS		
CHK	CHANGE NO.	REV.

TITLE	H7831 POWER SUPPLY	SIZE CODE	D UA	NUMBER	5412996-0-0	REV.	N
SCALE	2/1	SHW	3	OF	3	DIST.	



LINE	ITEM	DOCUMENT NUMBER	PART NUMBER	DESCRIPTION	QTY PER VARIATION	REFERENCE DESIGNATOR
					00	
1	1	E-MD-5012995-0-0	5012995-00	H7831 POWER SUPPLY	1	
2	2		1000009-00	33.0 MMF 100V 55200PPM MICA	1	C2
3	3		1000016-00	100.0 MMF 100V 5%200PPM MICA	3	C5,C15,C16
4	4		1000039-00	.056 MFD 200V 10% MYLR	1	C1
5	5		1000042-00	1000.0 MMF 100V 5%200PPM MICA	5	C13,C24,C25,C28,C29
6	6		1000055-00	2200.0 MMF 250V 20% Y5S DISC	2	C3,C4
7	7		1001610-00	.01 MFD 50V +80-20% 25U CER	5	C30,C35,C36,C37,C38
8	8		1004812-00	15 MFD 20V 10% S.TANT	1	C34
9	9		1005507-00	1 MFD 100V +50-10% AL EL	1	C22
10	10		1011847-01	.01 MFD 400V 10% POLYPRCP	1	C6
11	11		1015202-02	.0033 MFD 1600V 10% POLYPROP	1	C19
12	12		1001776-00	1 MFD 35V 10% S.TANT	1	C17
13	13		1010274-00	.22 MFD 50V +80-20% Z5U CER	4	C8,C10,C11,C12
14	14		1012607-00	560 MFD 20V+100-10% AL EL	1	C26
15	15		1012607-04	270 MFD 40V+100-10% AL EL	1	C20
16	16		1012607-05	20 MFD 200V+100-10% AL EL	1	C18
17	17		1013456-11	.22 MFD 50V +80-20% Z5U CER	4	C21,C23,C27,C32
18	18		1014170-00	2700.0 MMF 100V 1% 70PPM MICA	1	C7
19	19		1014277-00	3800 MFD 6.3V +75-10% AL EL	1	C31
20	20		1014861-00	590 MFD 200V +50-10% AL EL	2	C9,C14
21	21		1014883-00	470 MFD 50V +75-10% AL EL	1	C33
22	22		1100114-00	D 664 GS\75PCB PIV= 25V SP	5	D10,D13,D39,D40,D21
23	23		1105796-00	1N 4004 PIV=400 I= 1A DC41 SP	8	D32,D34,D24,D25,D42-D45
24	24		1105873-00	4M5-1AZ1 VZ= 5.1 1% .400W	1	D38
25	25		1109991-01	4M6.8AZ1 VZ= 6.8 1% .40W	1	D15
26	26		1112594-01	A115B PIV=200 I= 3A	1	D31
27	27		1112595-00	A114F PIV= 50 I= 1A	7	D1,D2,D3,D5,D12,D41,D20
28	28		1112595-01	A114B PIV=200 I= 1A	6	D4,D6,D7,D8,D11,D14
29	29		1112595-02	A114M PIV=600 I= 1A	2	D27,D28
30	30		1115529-00	UES2601 PIV=50V I=30A	1	D36

REVISION HISTORY		BASIC PART NO: 5412996		DRN:	VIN PARECHANIAN	DATE: 2-20-78	D I G I T A L		
ENG!	ECO NUMBER	REV	SECTION A OF A	CHK'D:	KENT GLEEZEN	DATE: 7-JUL-80	TITLE	PARTS LIST	
---	INIT	B	SECTION VARIATION INDEX	DES.ENG:	BOB PEDERSEN	DATE: 7-JUN-78	DOCUMENT NUMBER		
KH	PN001	C	[A] 00	RESP.ENG.:	BOB PENDERSON	DATE: 7-JUN-78	SIZE	CODE	NUMBER
LK	PN002	D	[B]	MFG.ENG.:	T. CORCIARI	DATE: 7-JUN-78	K	PL	5412996-0-DBP
JB	PN003	E	[C]	ASSEMBLY NUMBER:	E-UA-5412996-0-0	TOP DOCUMENT NUMBER:	B-DD-5412996-0-0	FILE NAME:	Z1085P.PLS
JB	PN004	F	[D]						EDIT #
EJ	PN005	H	[E]						42
CJ	5412996-MLO06	J	[F]						
RP	ML008	K	[H]						
RP	ML009-5412996	L	[J]						
GC	5412996-MLO11	M	[K]						
GC	5412996-MLO15	N	[L]						
GC	5412996-MLO16	P	[M]						
			[N]						

"THIS DRAWING AND SPECIFICATIONS HEREIN, ARE THE PROPERTY OF DIGITAL EQUIPMENT CORPORATION AND SHALL NOT BE REPRODUCED OR COPIED OR USED IN WHOLE OR IN PART AS THE BASIS FOR THE MANUFACTURE OR SALE OF ITEMS WITHOUT WRITTEN PERMISSION. COPYRIGHT (C) 1981. DIGITAL EQUIPMENT CORPORATION "

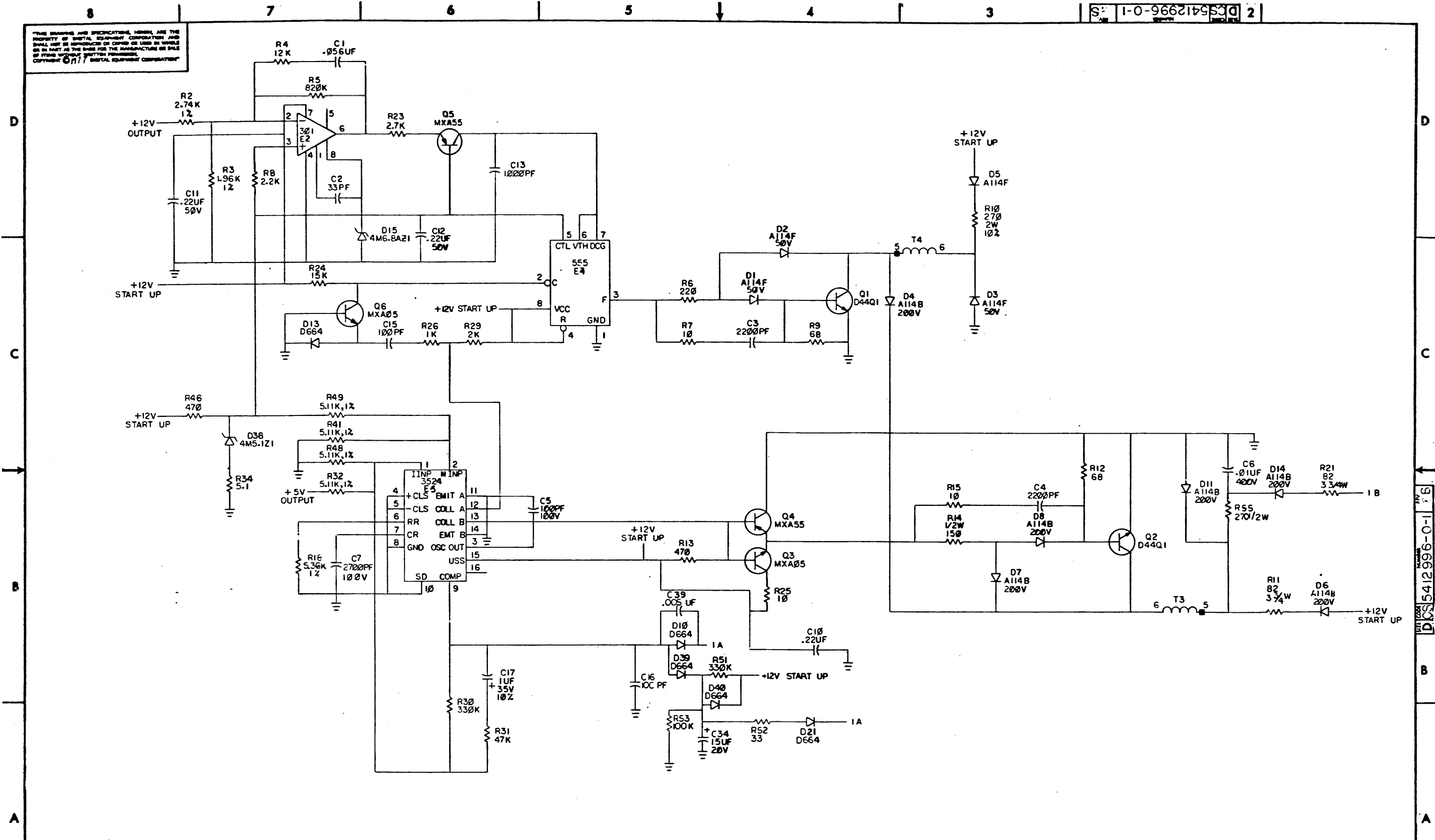
LINE ITEM	DOCUMENT NUMBER	PART NUMBER	DESCRIPTION	QTY PER VARIATION 00	REFERENCE DESIGNATOR
79	81	1614273-00	PLUSE XFMR, TRI-WOUND	1	T4
80	82	1615251-00	-2.0 UH VARIABLE L 11A	1	L2
81	83	1615252-00	210.0 UH VARIABLE 2.75A	1	L1
82	84	1615253-00	XFR-R P=AB S=25V	1	T2
83	85	1615668-01	XFR-R P=240/480 S=120	1	T1
84	86	1910282-00	301AN OP AMP	1	E2
85	87	1911944-00	555CN TIMER, FUNCT. BLOCK	1	E4
86	88	1912048-06	DEC 7812 VOLT REG, FIX +12V	2	Z1, Z2
87	89	1914156-00	LM 393 VOLT. COMPARATOR DUAL	1	E1
88	90	1914250-00	3524 MODULATOR-REGULATING	1	E5
89	93	9006557-00	NUT, KEP , 4-40X 1/4 AF	3	
90	97	9008172-00	WASHER, FLAT, SS .250 OD X .125 I	4	
91	99	9006660-00	WASHER, FLAT, .375 O.D. X .187 I	2	
92	100	9007793-01	SCREW, PAN, PHIL 6-32X 9/16 SS	4	
93	101	9007801-00	WASHER, LOCK, S.S. #6	4	
94	106	9009236-01	SCREW, TAPPING, TYPE F, PAN , PHIL,	4	
95	108	9009676-00	TEMP LUG 1POS SOLDER	1	
96	109	9009795-00	SCREW, PAN, SLOT, SEMS 10-32X 3/8	4	
97	110	9009798-00	SPACER, CERAMIC, .186 ODX.078 ID	10	
98	112	1300197-00	10.0 .25 W 5.0 % CC	1	R52
99	113	1302466-00	100.0 K .25 W 5.0 % CC	1	R53
100	114	1305255-00	100.0 K .25 W 1.0 % RN55D-F10	1	R38
101	115	1001765-00	1005 MFD 100V 20% Z5T DISC	1	C39
102	117	9006010-01	SCREW, PAN, PHIL 4-40X 5/16 SS	3	
103	118	9009769-00	WASHER, RECTANGULAR .405X.225X.0	1	
104	119	9006664-00	WASHER, FLAT, .437 OD X .218 ID	4	
105	120	9006563-00	NUT, KEP , 8-32 X11/32AF	2	
106	121	1105796-01	5796-1PIV=400 I=1A D041	1	D26
107	122	1300285-00	100.0 .50 W 5.0 % CC	1	R55
108	123	1311867-00	.50 3.0 W 1.0 % WW	1	R56

109 NOTE: SEE E-UA-5412996-0-0 FOR ADDITIONAL INSERTION INFORMATION  
 110 NOTE: USE 1313191-00 UNTIL EXISTING STOCK HAS BEEN DEPLETED THEN USE 1317917-00.

D I G I T A L						TITLE	SECTION A OF A		SIZE	CODE	DOCUMENT NUMBER	REV
						H7831 POWER SUPPLY			K	PL	5412996-0-DBP	P



THIS DRAWING AND SPECIFICATIONS HEREIN ARE THE PROPERTY OF METAL EQUIPMENT CORPORATION AND SHALL NOT BE REPRODUCED OR COPIED OR USED IN WHOLE OR IN PART AS THE BASIS FOR THE MANUFACTURE OR SALE OF ITEMS WITHOUT WRITTEN PERMISSION. COPYRIGHT © 1977 METAL EQUIPMENT CORPORATION



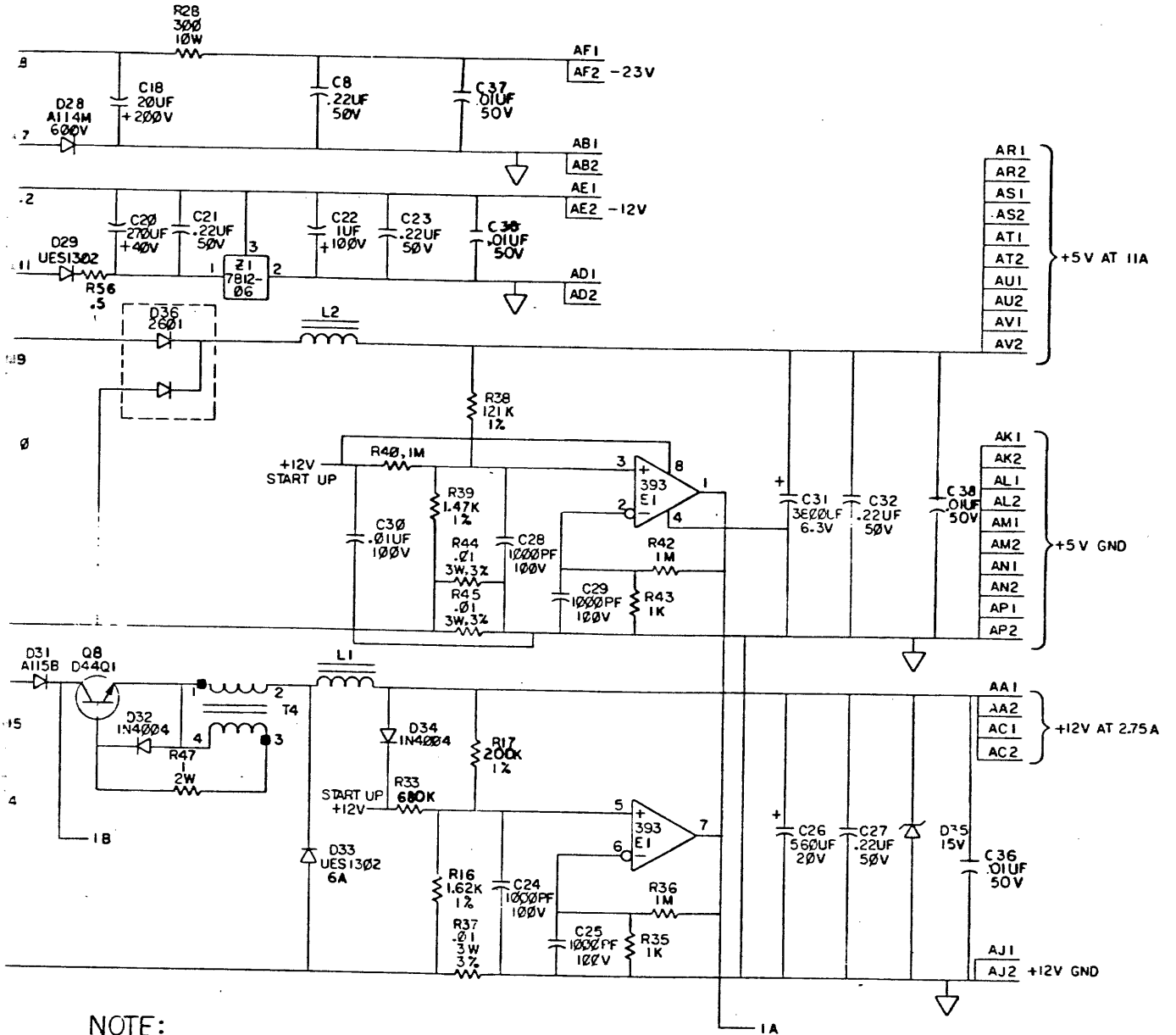
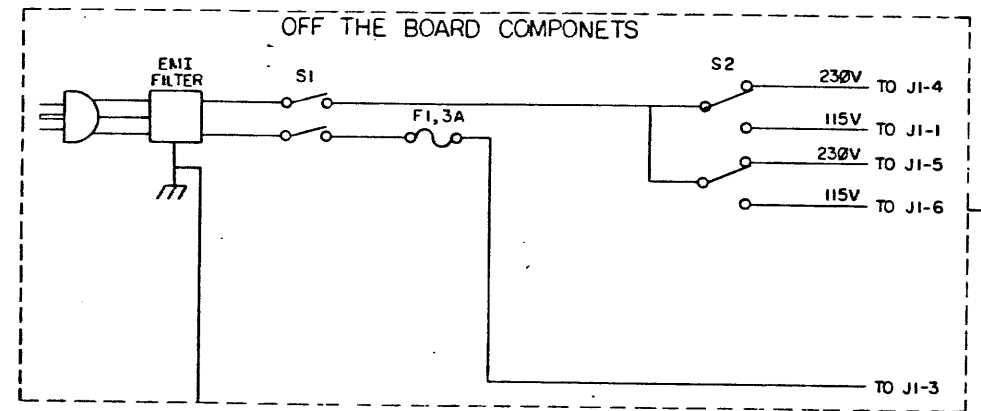
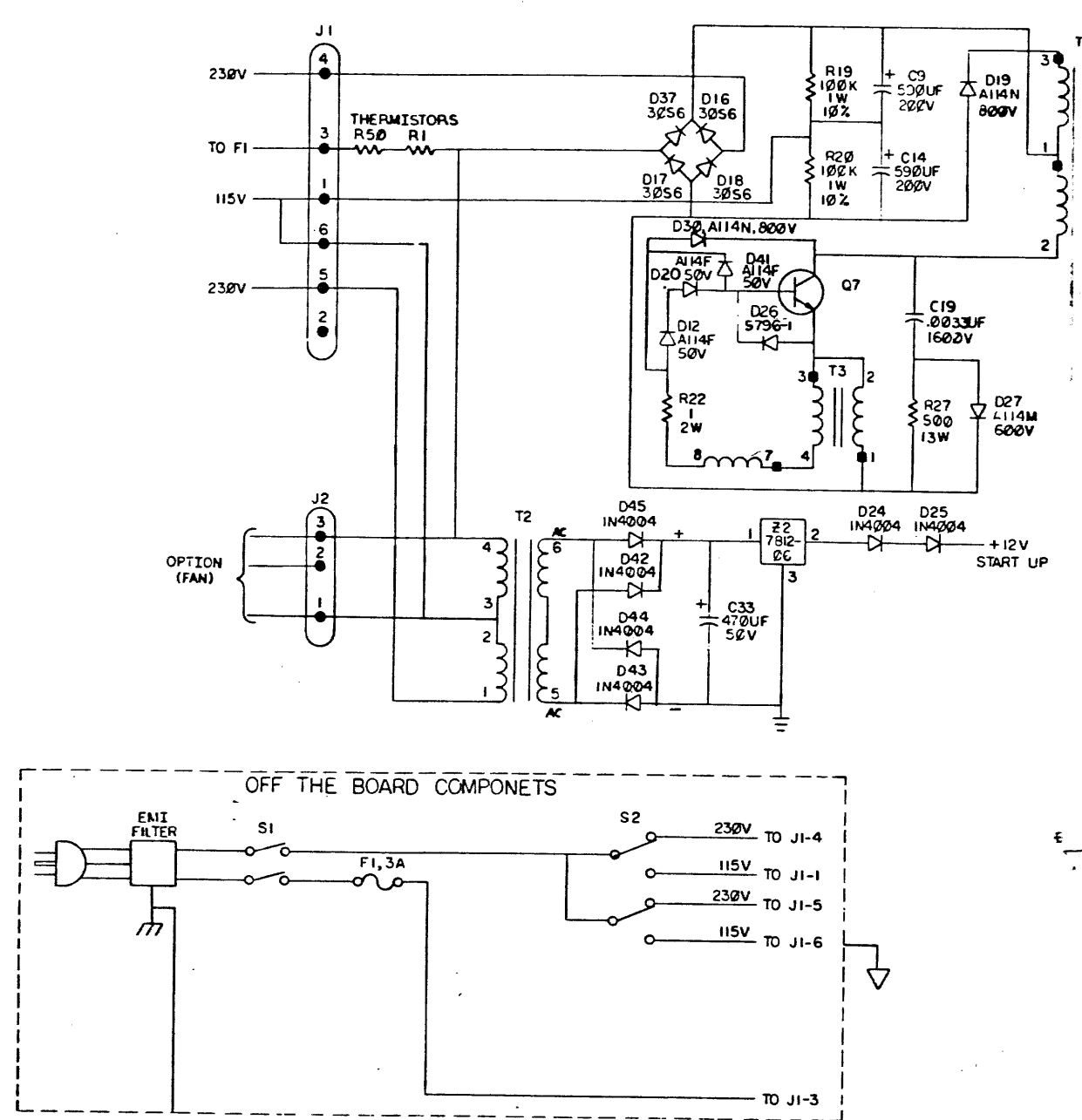
REVISIONS		
CHK	CHANGE NO.	REV.

TITLE	H7831 POWER SUPPLY	SIZE CODE	D CS	NUMBER	5412996-0-1	REV.	S
SCALE	1:1	SHEET	2 OF 2	DIST.			

LINE	ITEM	DOCUMENT NUMBER	PART NUMBER	DESCRIPTION	QTY	PER VARIATION	REFERENCE DESIGNATOR
					00		
31	31		1114602-00	UES1302 PIV=100V I= 4A	2		D29,D33
32	32		1115112-00	PIV=800V I=1A	2		D19,D30
33	33		1115182-00	1N 5626 PIV=600 I= 3A	4		D16,D17,D18,D37
34	34		1115224-00	VOLY.TRANS.SUPPRESS 12.1	1		D35
35	35		1215228-00	HEAT SINK,TO-220,VERTICAL MNT	1		
36	36		1212204-10	HEADER.156 3POS RT ANGLE	1		J2
37	38		1212297-05	MATE-N-LOK 6PIN UNIV HEADER	1		J1
38	39		1211987-03	HEAT SINK	1		
39	40		1213921-03	HEAT SINK,TAB MNT SEMI 2.5" HIGH	2		
40	41		1214789-00	INSERT,THREADED 6-32 ,BRASS,ELEC	4		
41	42		1210012-04	HT SINK W/HOLES	1		
42	43		1300219-00	68.0 .25 W 5.0 % CC	2		R9,R12
43	44		1300249-00	150.0 .50 W 5.0 % CC	1		R14
44	45		1300271-00	220.0 .25 W 5.0 % CC	1		R6
45	46		1300288-00	270.0 2.0 W10.0 % CC	1		R10
46	47		1300316-00	470.0 .25 W 5.0 % CC	2		R13,R46
47	48		1300365-00	1.0 K .25 W 5.0 % CC	3		R26,R35,R43
48	49		1300417-00	2.20 K .25 W 5.0 % CC	1		R8
49	50		1300426-00	2.70 K .25 W 5.0 % CC	1		R23
50	51		1300488-00	12.0 K .25 W 5.0 % CC	1		R4
51	52		1300496-00	15.0 K .25 W 5.0 % CC	1		R24
52	53		1300536-00	100.0 K 1.0 W10.0 % CC	2		R19,R20
53	54		1301317-00	10.0 .25 W 5.0 % CC	3		R7,R15,R25
54	55		1302091-00	330.0 K .25 W 5.0 % CC	2		R30,R51
55	56		1302177-00	47.0 K .25 W 5.0 % CC	1		R31
56	57		1302388-00	2.0 K .25 W 5.0 % CC	1		R29
57	58		1310867-00	680.0 K .25 W 5.0 % CC	1		R33
58	59		1303187-00	820.0 K .25 W 5.0 % CC	1		R5
59	60		1304833-00	1.96 K .25 W 1.0 % RN55D-F10	1		R3
60	61		1304854-00	5.11 K .25 W 1.0 % RN55D-F10	4		R32,R41,R48,R49
61	62		1304862-00	1.62 K .25 W 1.0 % RN55D-F10	1		R16
62	63		1304868-00	2.74 K .25 W 1.0 % RN55D-F10	1		R2
63	64		1305108-00	1.47 K .25 W 1.0 % RN55D-F10	1		R39
64	66		1309422-00	5.10 .25 W 5.0 % CC	1		R34
65	67		1309595-00	1.0 M .25 W 5.0 % CC	3		R36,R40,R42
66	68		1310188-00	300.0 10.0 W 5.0 % WW	1		R28
67	69		1311338-00	82.0 3.0 W 5.0 % WW	2		R21,R11
68	70		1305336-00	200.0 K .25 W 1.0 % RN55D-F10	1		R17
69	71		1313014-00	.01 3.75 W 3.0 % WW	3		R37,R44,R45
70	72		1317917-00	500.0 13.0 W 5.0 % WW	1		R27
71	73		1314187-00	6.19 K .25 W 1.0 % RN55D-F10	1		R18
72	74		1314270-00	5.0 15.0 % NTC THERM	2		R1,R50
73	75		1314350-00	1.0 2.0 W10.0 % FUSE	2		R22,R47
74	76		1510705-00	XA 05 NPN 500MW SI 60 50 P	2		Q3,Q6
75	77		1510706-00	XA 55 PNP 500MW SI 60 50 P	2		Q4,Q5
76	78		1517910-00	2N 6547 NPN TO-3	1		Q7
77	79		1514271-00	D 44Q1 NPN 31W SI	3		Q1,Q2,Q8
78	80		1614272-00	PULSE XFMR,4 WOUND	1		T3

! D ! I ! G ! I ! T ! A ! L !	! TITLE	! SECTION A OF A !	! SIZE ! CODE !	! DOCUMENT NUMBER !	! REV !
! ! ! ! ! ! ! !	H7831 POWER SUPPLY	! ! ! ! ! ! ! !	! K ! PL !	5412996-0-DBP	! P !

THIS DRAWING AND SPECIFICATIONS, HEREIN, ARE THE PROPERTY OF DIGITAL EQUIPMENT CORPORATION AND SHALL NOT BE REPRODUCED OR COPIED IN WHOLE OR IN PART OR IN ANY MANNER FOR THE MANUFACTURE OR SALE OF ANY PRODUCT WITHOUT THE WRITTEN PERMISSION OF DIGITAL EQUIPMENT CORPORATION.



NOTE:  
1 UNLESS OTHERWISE INDICATED  
ALL RESISTORS ARE 1/4W, 5%.

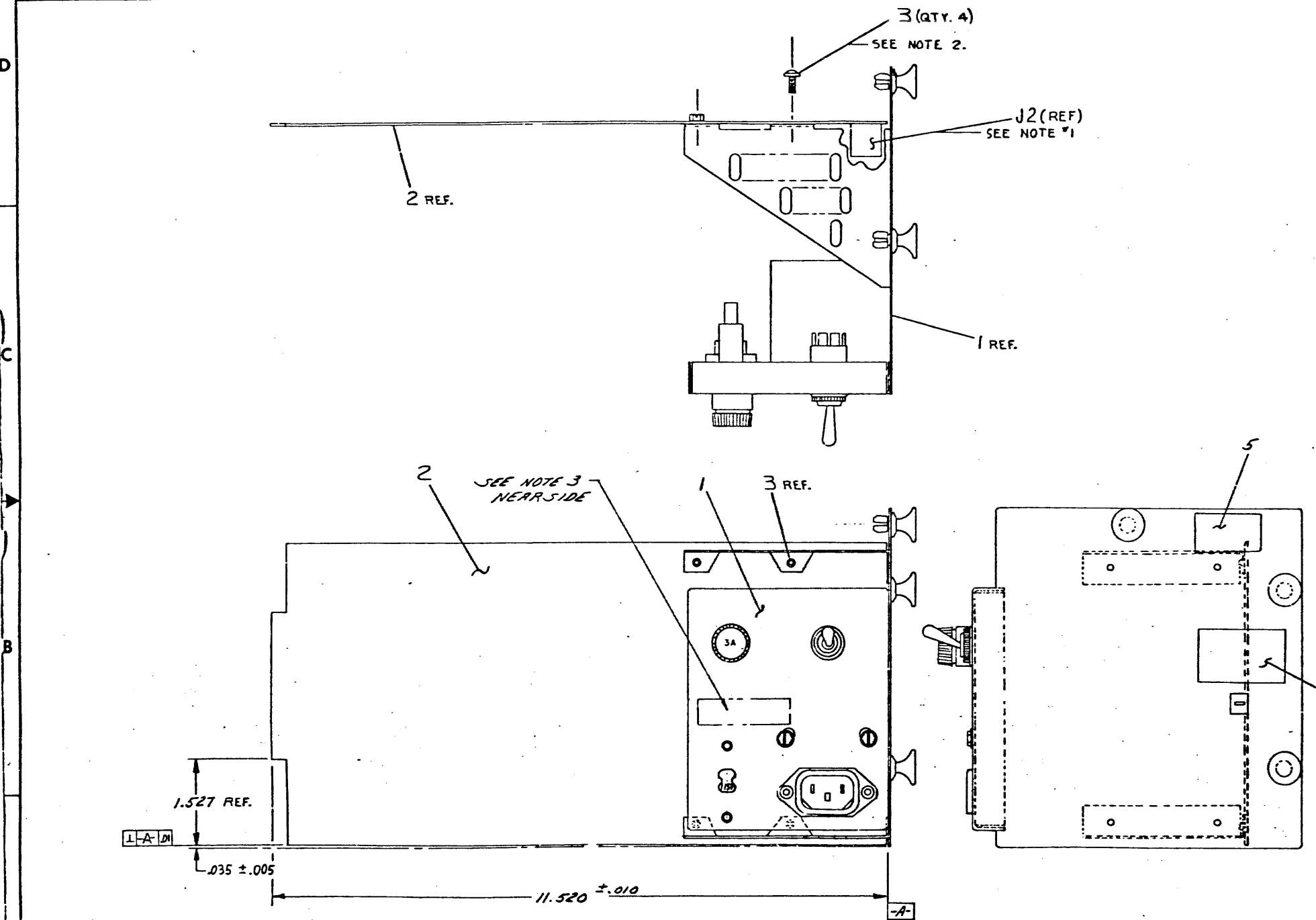
REV.	CHANGE NO.	BY	DATE
1	5412996-PN001 C	J. BITTO	10/27/77
2	5412996-PN002 D	J. BITTO	11/16/77
3	5412996-PN003 E	J. BITTO	11/16/77
4	5412996-PN004 F	J. BITTO	11/16/77
5	5412996-PN005 H	E. JAMES	12/15/77
6	5412996-ML006 J	G. CHRISTIANSEN	1/10/78
7	5412996-ML007 K	G. CHRISTIANSEN	1/10/78
8	5412996-ML008 L	G. CHRISTIANSEN	1/10/78
9	5412996-ML009 M	G. CHRISTIANSEN	1/10/78
10	5412996-ML010 N	G. CHRISTIANSEN	1/10/78
11	5412996-ML011 P	G. CHRISTIANSEN	1/10/78
12	5412996-ML012 R	G. CHRISTIANSEN	1/10/78
13	5412996-ML013 S	G. CHRISTIANSEN	1/10/78
14	5412996-ML014 T	G. CHRISTIANSEN	1/10/78
15	5412996-ML015 U	G. CHRISTIANSEN	1/10/78
16	5412996-ML016 V	G. CHRISTIANSEN	1/10/78
17	5412996-ML017 W	G. CHRISTIANSEN	1/10/78
18	5412996-ML018 X	G. CHRISTIANSEN	1/10/78
19	5412996-ML019 Y	G. CHRISTIANSEN	1/10/78
20	5412996-ML020 Z	G. CHRISTIANSEN	1/10/78

DRN. 5412996-0-1	FIRST USED ON H7831
CHK'D	TITLE H7831 POWER SUPPLY
ENGR.	SIZE CODE DCS
PRQ. ENGR.	NUMBER 5412996-0-1
PROOF	REV. S
NEXT HIGHER ASSY.	SCALE
B-DD-5412996-C	SHEET 1 OF 2

THIS DRAWING AND SPECIFICATIONS ARE THE PROPERTY OF DIGITAL EQUIPMENT CORPORATION AND SHALL NOT BE REPRODUCED OR COPIED IN WHOLE OR IN PART AS THE BASIS FOR THE MANUFACTURE OR SALE OF ITEMS WITHOUT WRITTEN PERMISSION. COPYRIGHT © 1977, DIGITAL EQUIPMENT CORPORATION.

0-0-7014979-0-0 2

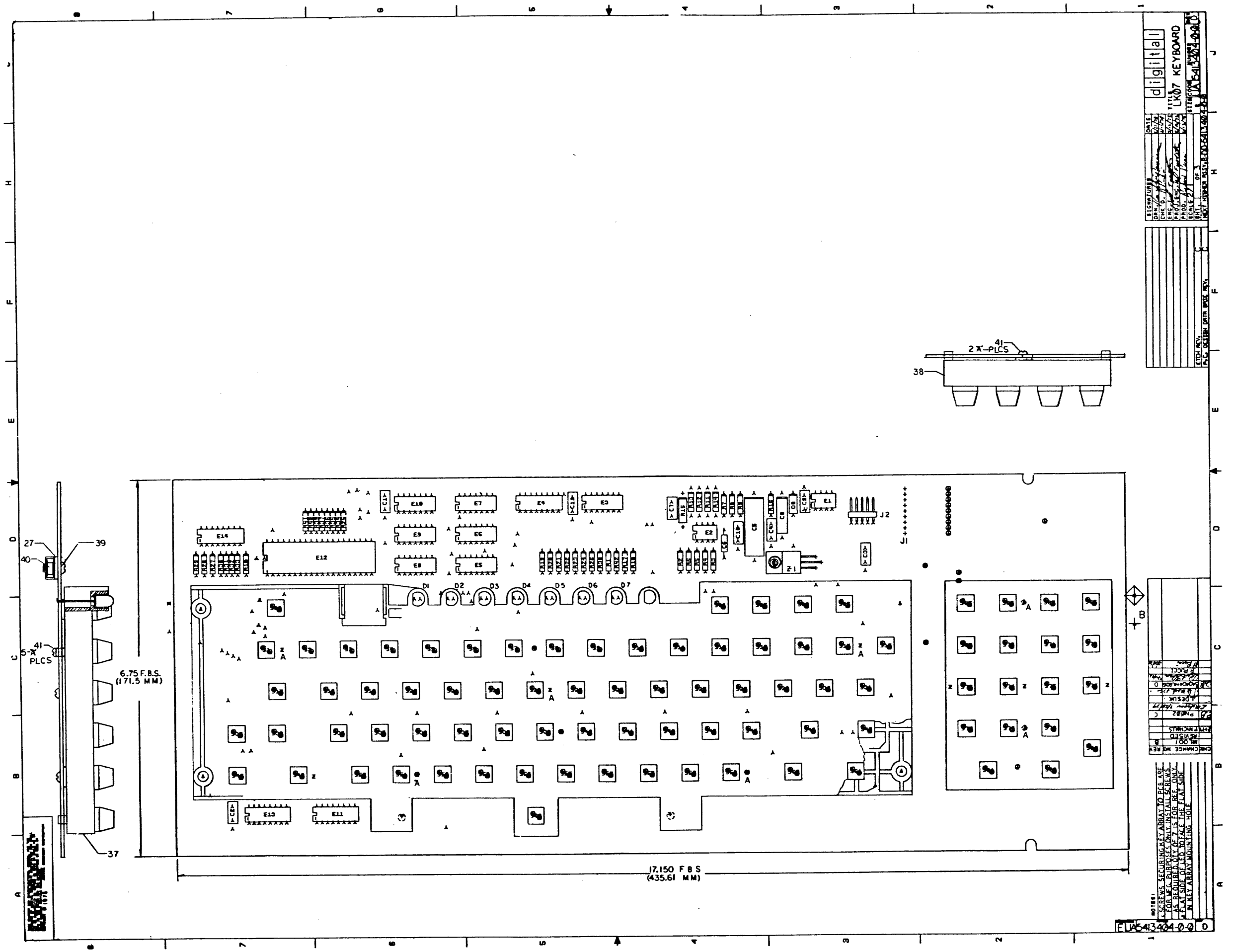
- NOTES:
- CONNECT PLUG FROM ITEM 1 (7015053-0-0) TO J2 ON ITEM 2 (5412996).
  - INSTALL ITEM 3 AS SHOWN, TYP. 4 PLACES.
  - IDENTIFICATION: STAMP USING 1/8" CHARACTER HEIGHT AS INDICATED BELOW TO HIGHEST LEVEL OF SUBASSEMBLY SPECIFIED ON PURCHASE ORDER AND LOCATE APPROX AS SHOWN ON DRAWING.
    - A.) PART NUMBER
    - B.) REVISION
    - C.) VENDOR IDENTIFICATION.
  - LOCATE ITEM NO. 4 & 5 APPROX AS SHOWN.
  - ADD CSA LABEL 3613211-G1 FOR ALL FAR EAST BUILT UNITS AS DIRECTED BY CORPORATE PRODUCT SAFETY. LABEL TO BE LOCATED UNDER SERIAL LABEL.
  - FOR INDIVIDUAL FIELD SERVICE OR CUSTOMER SPARES SHIPMENTS USE PACKAGING INSTRUCTIONS A-SP-3700552-0-0; FOR BULK INTERPLANT SHIPMENTS USE PACKAGING INSTRUCTION A-SP-3700437-0-0 VARIATION-00



CAUTION: OFF SHEET PARTS LIST EXIST. REFER TO K-PL-7014979-0-DBP

REV.	CHG. NO.	BY	DATE	DESCRIPTION
1	A	J. DEMARINIS	18 AUG 80	REVISED TO 05-5
2	B	J. DEMARINIS	18 AUG 80	REVISED TO 05-5
3	C	J. DEMARINIS	18 AUG 80	REVISED TO 05-5
4	D	J. DEMARINIS	18 AUG 80	REVISED TO 05-5
5	E	J. DEMARINIS	18 AUG 80	REVISED TO 05-5
6	F	J. DEMARINIS	18 AUG 80	REVISED TO 05-5
7	G	J. DEMARINIS	18 AUG 80	REVISED TO 05-5
8	H	J. DEMARINIS	18 AUG 80	REVISED TO 05-5
9	I	J. DEMARINIS	18 AUG 80	REVISED TO 05-5
10	J	J. DEMARINIS	18 AUG 80	REVISED TO 05-5

QUANTITY & VARIATION	DESCRIPTION	DWG. PART NO.	ITEM NO.
	UNLESS OTHERWISE SPECIFIED DIMENSIONS ARE IN INCHES		
	ANGLES	CLASS OF ACCURACY	NOMINAL DIMENSION RANGE DIMS
	SURFACE QUALITY	CHECK DIMS	
	MICROMETERS	PRESPECIFIED	
THIRD ANGLE PROJECTION	DRN. D. [Signature]	5 SEP 77	FIRST USED ON
REMOVE BURRS AND BREAK SHARP CORNERS	CHKD. [Signature]	20 SEP 77	VT100
DO NOT SCALE DWG	ENGR. [Signature]	20 SEP 77	TITLE
MATERIAL SEE PARTS LIST	PROL. EN. [Signature]	12-10-77	POWER SUPPLY ASSY.
FINISH	NEXT HIGHER ASSY.		
	E-UA-VT100-0-0	SIZE CODE	NUMBER
	SCALE 1/1	D AD	7014979-0-0
	SHEET 1 OF 1	DIST.	



DESIGNED BY	DATE	digital
DRAWN BY	DATE	
ENG. CHECKED BY	DATE	
PROF. CHECKED BY	DATE	
DATE	11/07	KEYBOARD
REV. NO.	1	11/07
REV. NO.	2	11/07
REV. NO.	3	11/07
REV. NO.	4	11/07
REV. NO.	5	11/07
REV. NO.	6	11/07
REV. NO.	7	11/07
REV. NO.	8	11/07
REV. NO.	9	11/07
REV. NO.	10	11/07


REV. NO.	1	11/07
REV. NO.	2	11/07
REV. NO.	3	11/07
REV. NO.	4	11/07
REV. NO.	5	11/07
REV. NO.	6	11/07
REV. NO.	7	11/07
REV. NO.	8	11/07
REV. NO.	9	11/07
REV. NO.	10	11/07

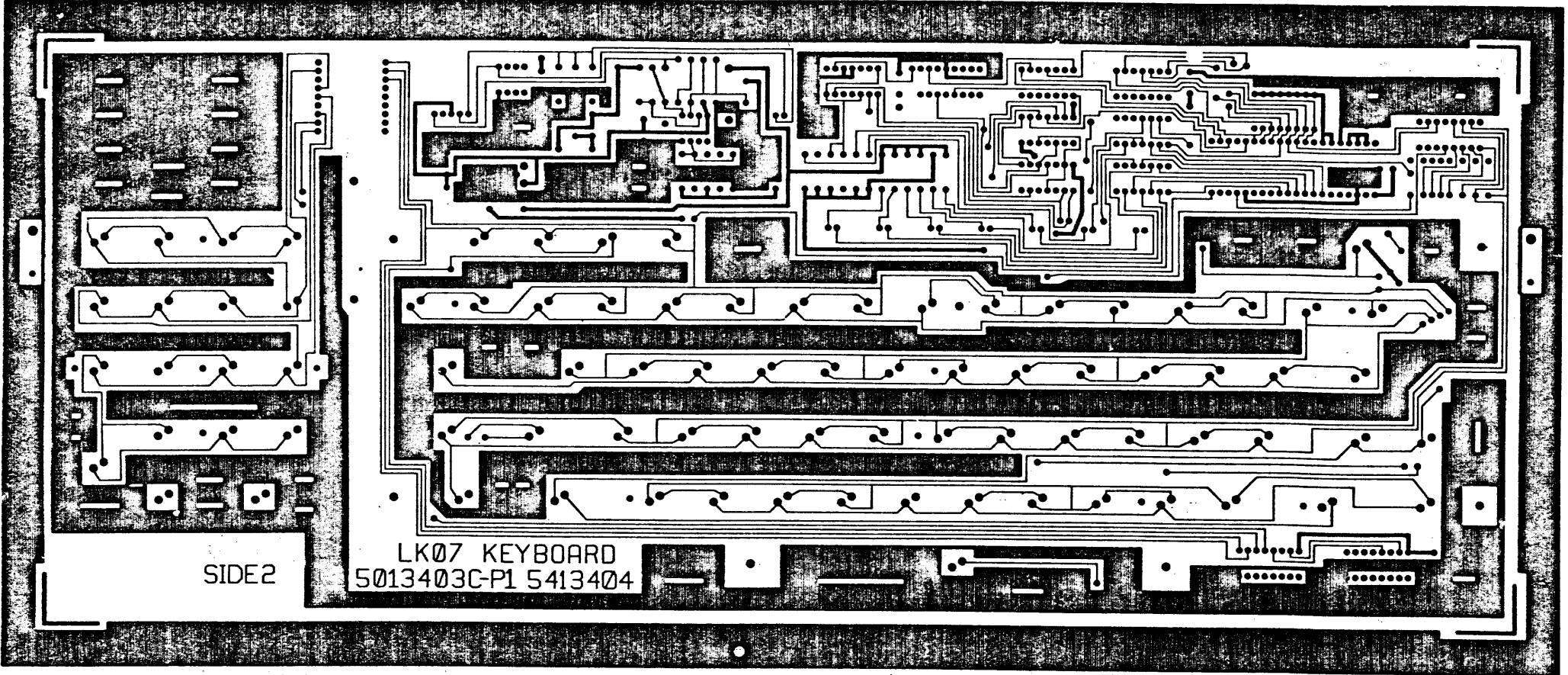
REV. NO.	1	11/07
REV. NO.	2	11/07
REV. NO.	3	11/07
REV. NO.	4	11/07
REV. NO.	5	11/07
REV. NO.	6	11/07
REV. NO.	7	11/07
REV. NO.	8	11/07
REV. NO.	9	11/07
REV. NO.	10	11/07

NOTES:  
 1. SCREWS SECURING ARRAY TO PCB ARE FOR A PURPOSES ONLY. INSTALL SCREWS AS REQUIRED. QTY OF 7 IS FOR FULL ONLY. A FULL SUB-ARRAY WILL REQUIRE 10 FULL SCS.  
 2. FULL ARRAY MOUNTING - 100% FULL SCS.

FL54344-0-0

1979

L2 



SIDE 2


LK07 KEYBOARD  
5013403C-P1 5413404

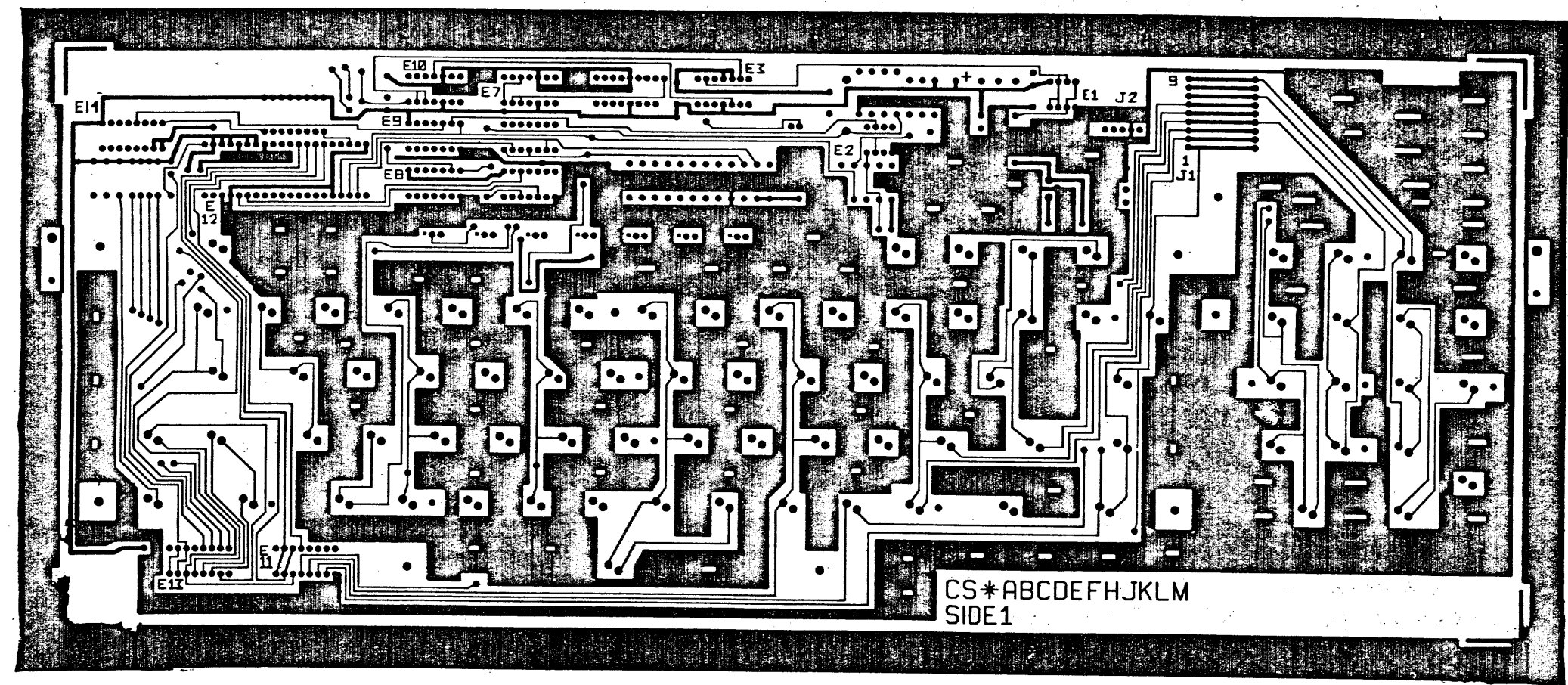
5413404-0

REV	CHANGE NO.	DATE

TITLE	LK07 KEYBOARD	DATE		NUMBER		REV	
SCALE	2:1	SHEET	3	OF	3	DIST	

1979

5413404  
5013403C-PI  L1



CS\*ABCDEFGHIJKLM  
SIDE 1

REVISIONS		
DATE	CHANGE NO.	REV

8	7	6	5	4	3	2	1
---	---	---	---	---	---	---	---

TITLE	NUMBER	REV
LK07 KEYBOARD	E UA 5413404-0-0	D
SCALE 2:1	SHEET 2 OF 3	DIST

LINE	ITEM	DOCUMENT NUMBER	PART NUMBER	DESCRIPTION	QTY	PER VARIATION	REFERENCE DESIGNATOR
					00		
1	1	D-MD-5013403-0-0	5013403-00	DRILL & ETCH DRAWING	1		
2	2		1000014-00	68.0 MMF 100V 5%200PPM MICA	1		C7
3	3		1000075-00	25 MFD 25V +75-10% AL EL	1		C5
4	4		1001634-00	1600.0 MMF 100V 5%200PPM MICA	1		C6
5	5		1005306-00	6.8MFD 35V 10% S.TANT	1		C8
6	6		1012784-00	.047 MFD 50V +80-20% CER	6		C1, C2, C4, C9-C11
7	7		1105275-00	D 672 TR= 15NS PIV= 60V SI	1		DB
8	8		1110324-01	LED 1MCD@10MA PIV=3 .750 MIN. LE	7		D1-D7
9	9		1215048-00	CONN 5POS RT ANGLE	1		J2
10	10		1300309-00	390.0 .25 W 5.0 % CC	2		R16, R42
11	11		1300315-00	470.0 .50 W 5.0 % CC	1		R15
12	12		1300365-00	1.0 K .25 W 5.0 % CC	6		R10, R19, R21-R24
13	13		1300439-00	3.30 K .25 W 5.0 % CC	9		R26-R33, R38
14	14		1300479-00	10.0 K .25 W 5.0 % CC	11		R2, R3, R17, R25, R34-R37, R39-R41
15	15		1301401-00	750.0 .25 W 5.0 % CC	1		R1
16	16		1301425-00	300.0 .25 W 5.0 % CC	2		R18, R20
17	17		1301874-00	5.60 K .25 W 5.0 % CC	3		R5, R7, R9
18	18		1302391-00	20.0 K .25 W 5.0 % CC	2		R4, R6
19	19		1303155-00	21.50 K .25 W 1.0 % RN55D-F10	1		R12
20	20		1303187-00	820.0 K .25 W 5.0 % CC	1		R8
21	21		1303312-00	10.0 K .25 W 1.0 % RN55D-F10	1		R11
22	22		1304833-00	1.96 K .25 W 1.0 % RN55D-F10	1		R14
23	23		1309412-00	18.20 K .25 W 1.0 % RN55D-F10	1		R13
24	24		1909606-00	7404 INVERTER GATE-HEX 11	1		E9
25	25		1910406-00	75451 DRIVER, PERIPH, DUAL	1		E1
26	26		1910741-00	7406 INVERTER GATE-HEX 11	1		E8
27	27		1912536-01	7805 VOLT REG FIX +5V	1		Z1
28	28		1912649-00	LS75 LATCH 4BIT, BISTABLE	1		E4
29	29		1912799-00	LS00 NAND-GATE-QUAD 2IN, P	1		E5
30	30		1912823-00	LS73 FF-JK DUAL W/CLEAR	1		E3

REVISION HISTORY		BASIC PART NO: 5413404		DRN:	T SHETRAWSKI	DATE:	23-JUL-79	D I G I T A L			
ENG	ECO NUMBER	REV	SECTION A OF A	CHK'D:	T SHETRAWSKI	DATE:	23-JUL-79	TITLE	PARTS LIST		
RP	5413404-ML001	B	SECTION VARIATION INDEX								
J.D	5413404-PN002	C	[A] 00					VT100 FULL KEYBOARD			
J.B	5413404-PN003	D	[B]								
CJ	5413404-ML004	E	[C]	DES.ENG:	M MORGESTERN	DATE:	23-JUL-79				
CJ	5413404-ML005	F	[D]	RESP.ENG.:	M MORGESTERN	DATE:	23-JUL-79				
			[E]					DOCUMENT NUMBER			
			[F]					SIZE: CODE: NUMBER		REV	
			[G]								
			[H]								
			[I]								
			[J]	MFG.ENG.:	T CORCIARI	DATE:	23-JUL-79	K	PL	5413404-0-DBF	F
			[K]								
			[L]	ASSEMBLY NUMBER:		TOP DOCUMENT NUMBER:		FILE NAME:		EDIT #	
			[M]	D-UA-5413404-0-0				Z0783F.PLS		11	
			[N]								

"THIS DRAWING AND SPECIFICATIONS HEREIN, ARE THE PROPERTY OF DIGITAL EQUIPMENT CORPORATION AND SHALL NOT BE REPRODUCED OR COPIED OR USED IN WHOLE OR IN PART AS THE BASIS FOR THE MANUFACTURE OR SALE OF ITEMS WITHOUT WRITTEN PERMISSION. COPYRIGHT (C) 1981. DIGITAL EQUIPMENT CORPORATION"



AUTOMATED BY PRTLST.3L(34)

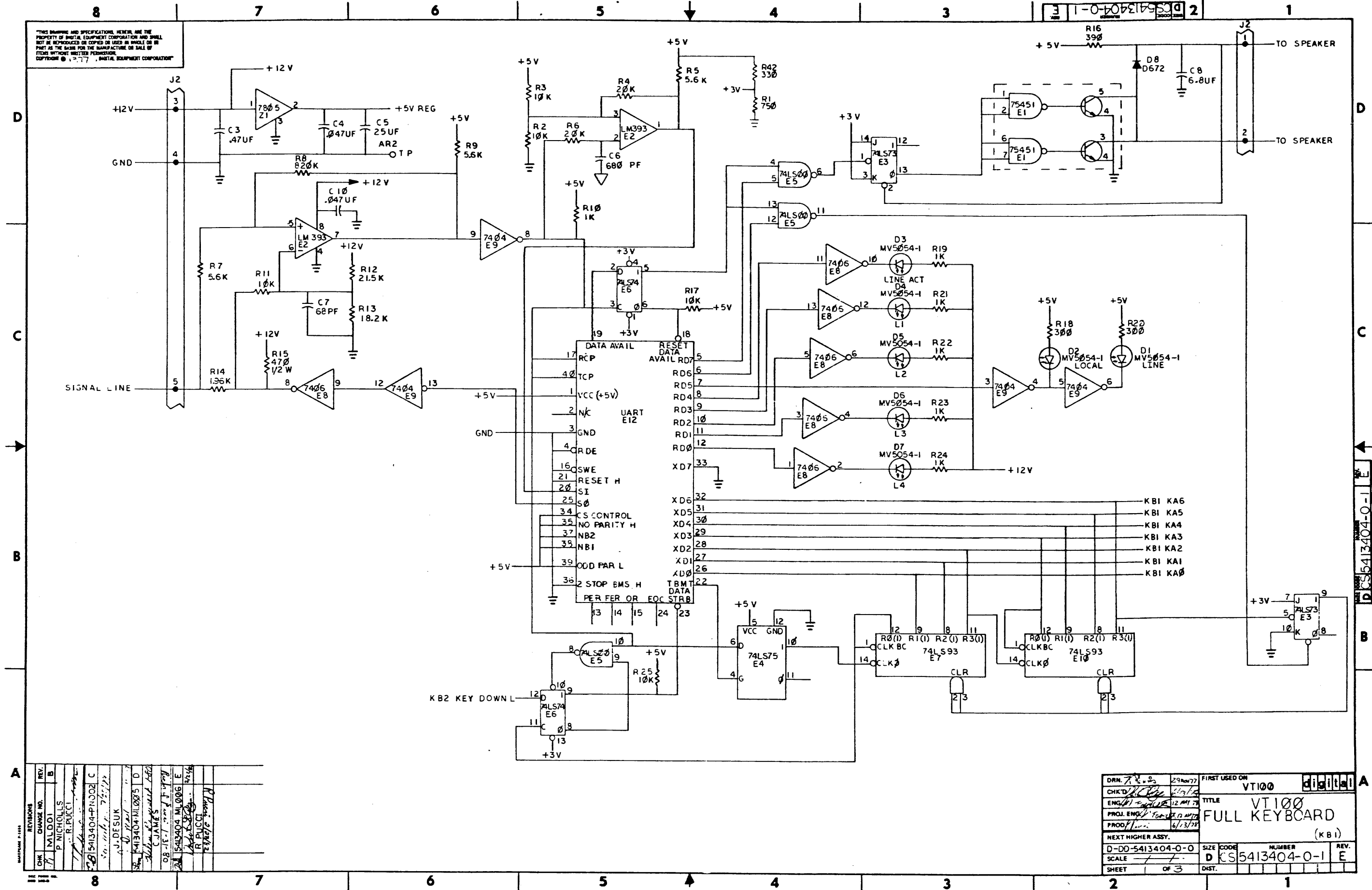
P A R T S L I S T

SHEET A2 OF A2

LINE	ITEM	DOCUMENT NUMBER	PART NUMBER	DESCRIPTION	QTY PER VARIATION 00	REFERENCE DESIGNATOR
31	31		1912824-00	LS74 FF-D DUAL, EDGE TRIGG	1	E6
32	32		1912844-00	LS151 MUX 1 OF 8 & DATA	1	E14
33	33		1913949-00	LS93 COUNTER, DECADE, 4BIT	2	E7, E10
34	34		1913950-00	LS156 DECODER, 2 OF 4 (DUAL)	2	E11, E13
35	35		1914156-00	LM 393 VOLT. COMPARATOR DUAL	1	E2
36	36		2114137-51	UART MOS N-CHANNEL	1	E12
37	37		7013910-00	KEYBOARD ARRAY ASSY	1	
38	38		7014561-00	18 KEY NUMERIC PAD ASSY	1	
39	39		9006020-01	SCREW, PAN, PHIL 6-32X 1/4 SS	1	
40	40		9008185-00	NUT, KEP 6-32X1/4 AF	1	
41	41		9010033-00	SCREW, PAN, PHILLIPS, 4-24 X 3/8	7	
42	42		1012312-01	.47 MFD 50V +80-20% CER	1	C3

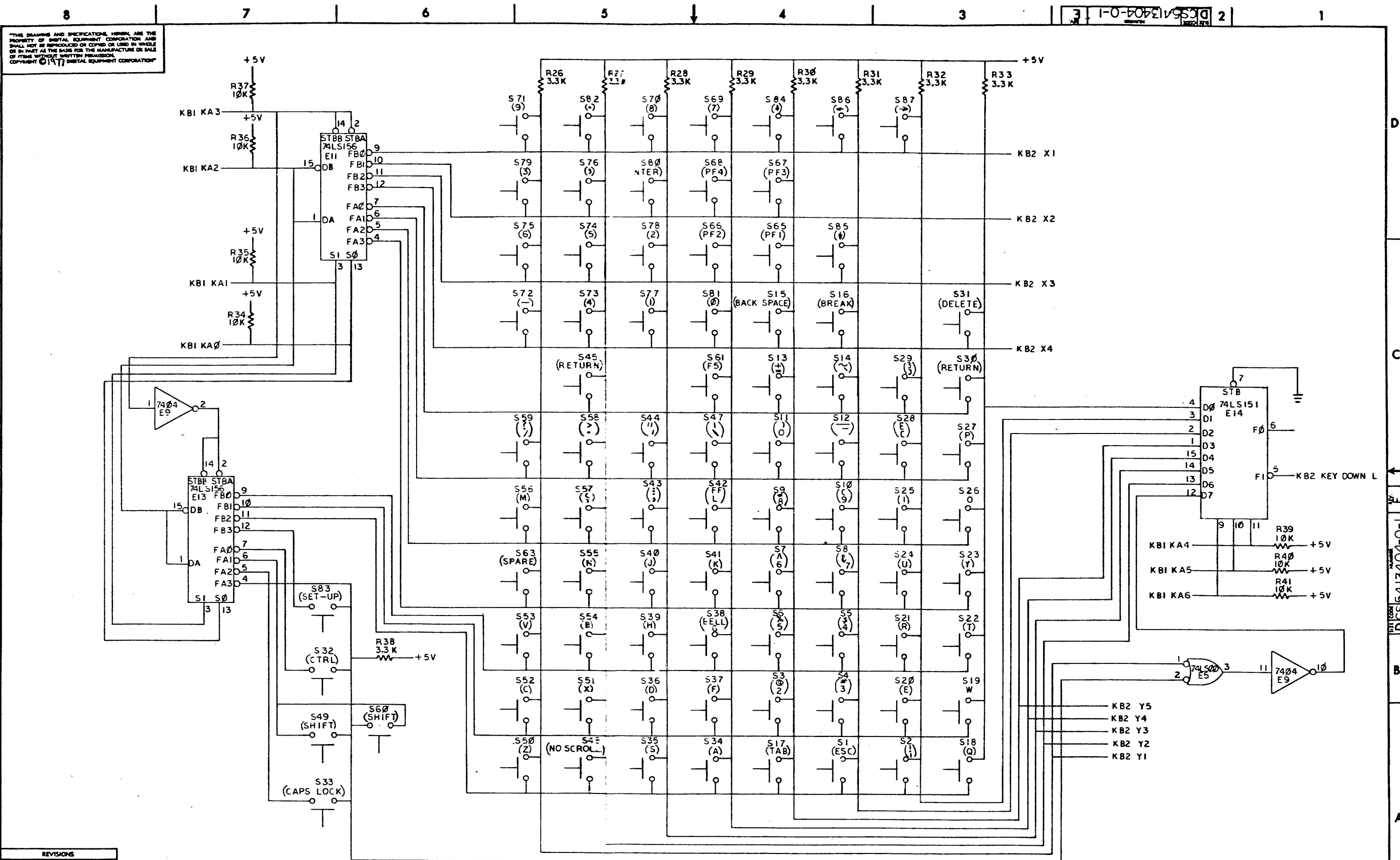
D	I	G	I	T	A	L	TITLE	VT100 FULL KEYBOARD	SECTION A OF A	SIZE	CODE	DOCUMENT NUMBER	REV
										K	PL	5413404-0-DBP	F

THIS DRAWING AND SPECIFICATIONS, HEREIN, ARE THE PROPERTY OF DIGITAL EQUIPMENT CORPORATION AND SHALL NOT BE REPRODUCED OR COPIED OR USED IN WHOLE OR IN PART AS THE BASIS FOR THE MANUFACTURE OR SALE OF ITEMS WITHOUT WRITTEN PERMISSION. COPYRIGHT © 1977, DIGITAL EQUIPMENT CORPORATION



REV.	CHG.	BY	DATE	DESCRIPTION
1		P. NICHOLS	12/11/77	INITIAL DESIGN
2		R. PULIC	1/11/78	REVISED FOR MANUFACTURE
3		R. PULIC	1/11/78	REVISED FOR MANUFACTURE
4		R. PULIC	1/11/78	REVISED FOR MANUFACTURE
5		R. PULIC	1/11/78	REVISED FOR MANUFACTURE
6		R. PULIC	1/11/78	REVISED FOR MANUFACTURE
7		R. PULIC	1/11/78	REVISED FOR MANUFACTURE
8		R. PULIC	1/11/78	REVISED FOR MANUFACTURE

DRN. 77-20	290077	FIRST USED ON	VT100
CHKD. [Signature]	[Signature]	TITLE	VT100 FULL KEYBOARD (KBI)
ENGR. [Signature]	12 MAY 78	SCALE	
PROJ. ENGR. [Signature]	16/13/78	SHEET	OF 3
NEXT HIGHER ASSY.		SIZE	CODE
D-DD-5413404-0-0		D	CS5413404-0-1
NUMBER		REV.	
		E	



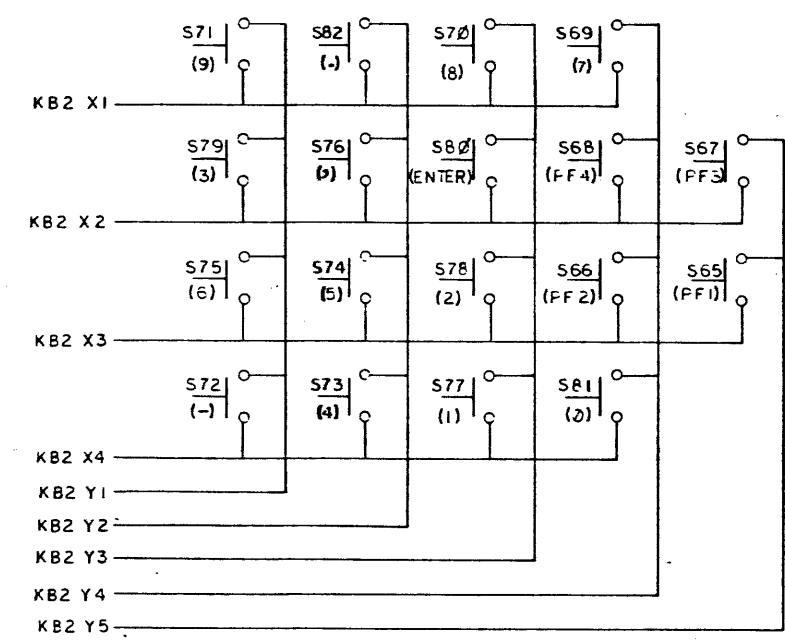
THE DRAWING AND SPECIFICATIONS HEREIN ARE THE PROPERTY OF DIGITAL EQUIPMENT CORPORATION AND SHALL NOT BE REPRODUCED OR COPIED OR USED IN WHOLE OR IN PART AS THE BASIS FOR THE MANUFACTURE OR SALE OF ITEMS WITHOUT WRITTEN PERMISSION. COPYRIGHT © 1977 DIGITAL EQUIPMENT CORPORATION

REVISIONS		
CHK	CHANGE NO.	REV.

TITLE	VT100 FULL KEYBOARD (KB2)	SIZE CODE	NUMBER	REV.
SCALE	1/1	SHEET	2 OF 3	DIST.
DCS 5413404-0-1		E		

DCS 5413404-0-1

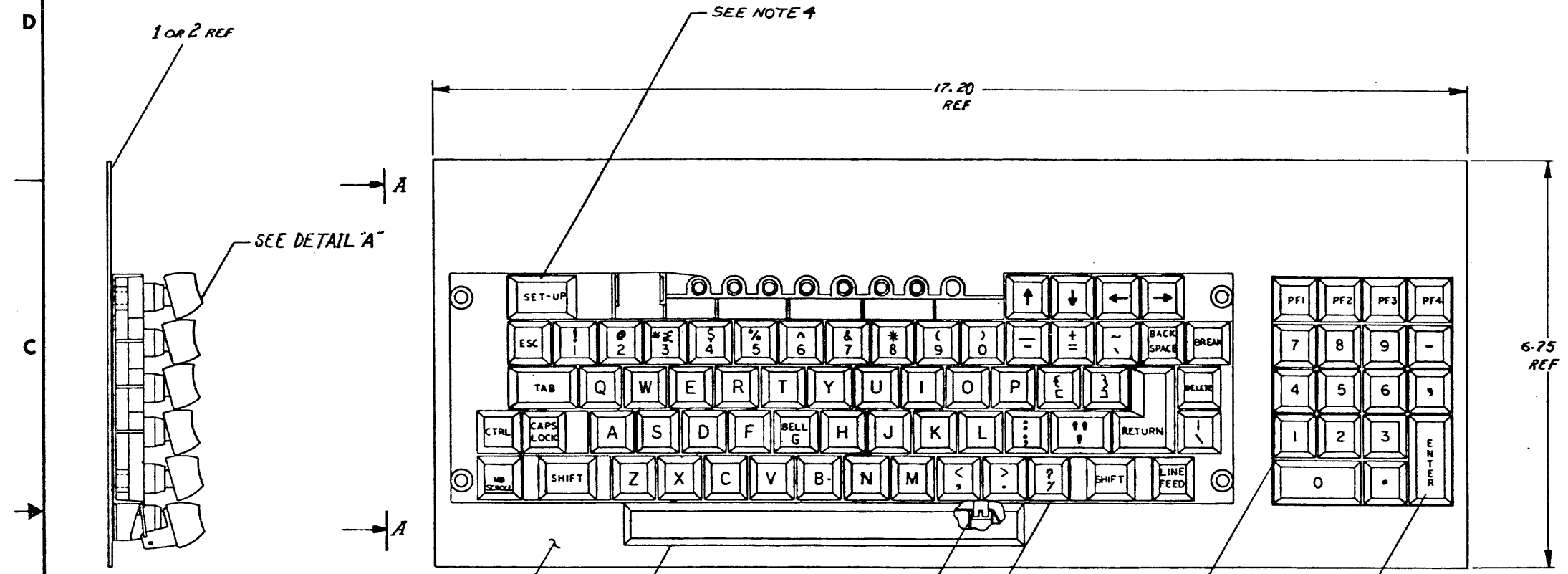
"THIS DRAWING AND SPECIFICATIONS HEREIN ARE THE PROPERTY OF DIGITAL EQUIPMENT CORPORATION AND SHALL NOT BE REPRODUCED OR COPIED OR USED IN WHOLE OR IN PART AS THE BASIS FOR THE MANUFACTURE OR SALE OF ITEMS WITHOUT WRITTEN PERMISSION. COPYRIGHT © 1977, DIGITAL EQUIPMENT CORPORATION"



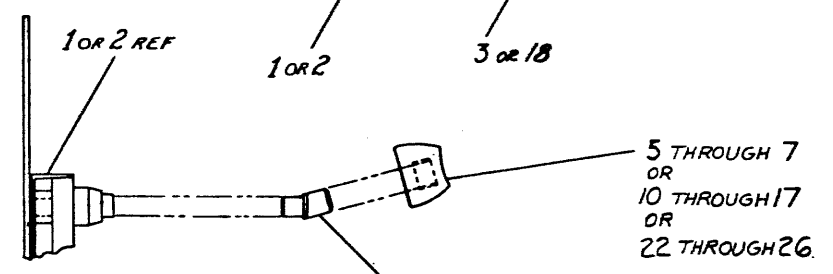
REVISIONS		
CHK	CHANGE NO.	REV.

THIS DRAWING AND SPECIFICATIONS, HEREIN ARE THE PROPERTY OF DIGITAL EQUIPMENT CORPORATION AND SHALL NOT BE REPRODUCED OR COPIED OR USED IN WHOLE OR IN PART AS THE BASIS FOR THE MANUFACTURE OR SALE OF ITEMS WITHOUT WRITTEN PERMISSION. COPYRIGHT © 1978, DIGITAL EQUIPMENT CORPORATION

- NOTES:**
1. THE NUMERIC KEY PAD IS NOT AVAILABLE ON THE E-UA-5A13404-01 VARIATION.
  2. STANDARD VT100 BASIC KEYCAP SET (1214333-72, ITEM 5) AND NUMERIC PAD (1214333-91, ITEM 6) SHOWN. FOR KEYCAP ARRANGEMENTS REFER TO DEC DRAWING NUMBER D-AR-7015765-0-1.
  3. FOR INDIVIDUAL FIELD SERVICE/CUSTOMER SPARES SHIPMENTS, USE PACKAGING INSTRUCTIONS A-SP-3700555-0-0; FOR BULK INTERPLANT SHIPMENTS, USE PACKAGING INSTRUCTIONS A-SP-3700439-00 VARIATION -00.
  4. INSTALL PLUNGER BELOW THIS KEY ON HOBIS KEYCAP SET 1214333-KZ. ALSO, FOR KEYCAP ARRANGEMENTS REFER TO DEC DRAWING D-AR-7015765-0-1.



VIEW A-A



DETAIL A

- 5 THROUGH 7 OR 10 THROUGH 17 OR 22 THROUGH 26
- 21 (QTY 2)
- SEE NOTE 2
- 6 OR 17 OR 23 OR 24
- SEE NOTE 1
- SEE NOTE 2

OFFSHEET PARTS LIST EXISTS REFER TO K-PL-7015765-0-DBP

REV.	CHG. NO.	BY	DATE	DESCRIPTION
1	1015765-MLO01	A	11/01/78	W. WEDENING
2	1015765-MLO02	B	11/01/78	L. KING
3	1015765-MLO03	C	11/01/78	R. P. JAMES
4	1015765-MLO04	D	11/01/78	E. C. JAMES
5	1015765-MLO05	E	11/01/78	J. DEMARINIS
6	1015765-MLO06	F	11/01/78	G. BOURQUE

THIRD ANGLE PROJECTION	DRW. <i>[Signature]</i>	DATE <i>[Date]</i>	FIRST USED ON
	CHKD. <i>[Signature]</i>	DATE <i>[Date]</i>	VT100 digital
REMOVE BURRS AND BREAK SHARP CORNERS	ENGR. <i>[Signature]</i>	DATE <i>[Date]</i>	TITLE
DO NOT SCALE DRWG	PROD. <i>[Signature]</i>	DATE <i>[Date]</i>	KEY BOARD / KEY CAP ASSY
MATERIAL SEE PARTS LIST	SCALE NONE	SIZE CODE D	NUMBER
FINISH NONE	SHEET 1 OF 1	DIST.	REV. J

D AD 7015765-0-0 J ML3

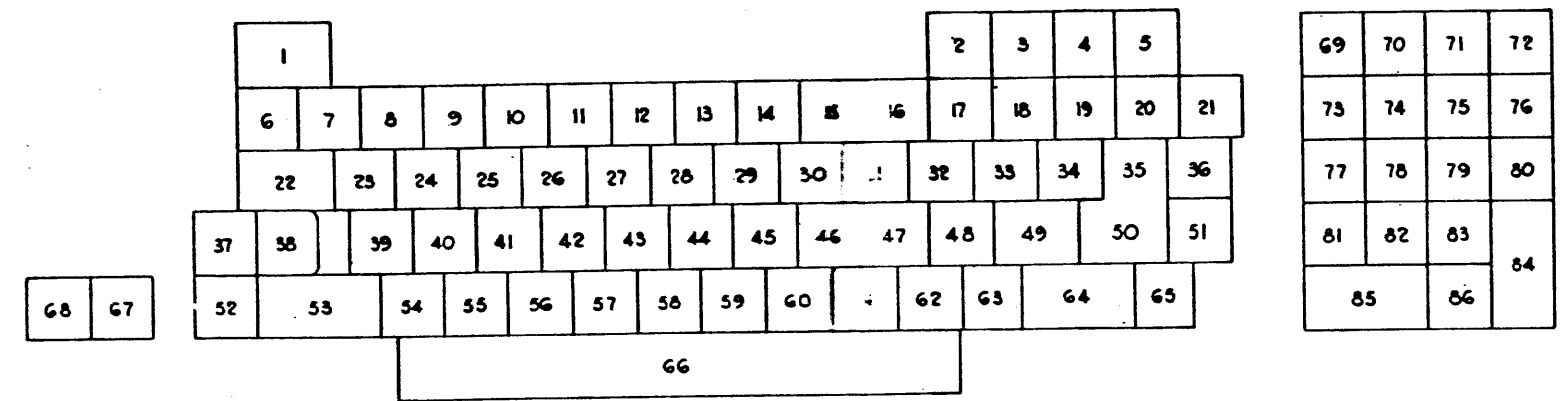
LINE	ITEM	DOCUMENT NUMBER	PART NUMBER	DESCRIPTION	QUANTITY PER VARIATION										
					00	01	02	03	04	05	06	07	08	09	
1	1	E-AD-5413404-0-0	5413404-00	VT100 FULL KEYBOARD	1	-	1	1	1	1	1	1	1	1	1
2	2	E-AD-5413404-0-0	5413404-01	KEYBOARD ASSY (64 KEYS)	-	1	-	-	-	-	-	-	-	1	1
3	3	C-AD-7015050-0-0	7015050-00	SPACE BAR ASSY	1	1	1	1	1	1	1	1	1	1	-
4	4		1214332-00	SW,ARRAY CAP ADAPTER	83	65	83	83	83	83	83	83	83	83	83
5	5		1214333-72	KEYCAP SET,VT100	64PCS	1	1	-	-	-	-	-	-	-	-
6	6		1214333-91	KEYCAP SET,LA120/34 VT100	18PCS	1	-	-	-	-	-	-	-	-	-
7	7		1214333-C0	KEYCAP SET,VT100-NA	82PCS	-	-	1	-	-	-	-	-	-	-
8	8		7420120-00	*** THIS ITEM IS NOT USED ***		-	-	-	-	-	-	-	-	-	-
9	9	D-AR-7015765-0-1		KEYBOARD/KEYCAP ASSY		REF	REF	REF	REF	REF	REF	REF	REF	REF	REF
10	10		1214333-J0	KEYCAP SET,VT100-WA	82PCS	-	-	-	1	-	-	-	-	-	-
11	11		1214333-W2	SW,KEY BD CAP COMP SET U3-W1		-	-	-	-	1	-	-	-	-	-
12	12		1214333-CP	KEYCAP SET,VT100-WB	82PCS	-	-	-	-	-	1	-	-	-	-
13	13		1214333-CB	KEYCAP SET,VT100-WB	82PCS	-	-	-	-	-	-	1	-	-	-
14	14		1214333-8U	KEYCAP SET,VT100-WB	82PCS	-	-	-	-	-	-	-	1	-	-
15	15		1214333-EY	KEYCAP SET,VT100-WB	82PCS	-	-	-	-	-	-	-	-	1	-
16	16		1214333-2Y	KEYCAP SET,VT100	64PCS	-	-	-	-	-	-	-	-	-	1
17	17		1214333-3W	KEYCAP SET,LA120/34 VT100	18PCS	-	-	-	-	-	-	-	-	-	1
18	18	D-AD-7015050-0-0	7015050-01	SPACE BAR ASSY. GRAY		-	-	-	-	-	-	-	-	-	1
19	19	A-SP-3700555-0-0	3700555-00	PKG KEYBOARD 7015765		1	1	1	1	1	1	1	1	1	1
20	20	A-SP-3700439-0-0	3700439-00	INSTR PKG. BULK CARTON 99-06476-		1	1	1	1	1	1	1	1	1	1
21	21	C-MD-7424160-0-0	7424160-00	SPACE BAR EQUALIZER CLIP		2	2	2	2	2	2	2	2	2	2

REVISION HISTORY			BASIC PART NO: 7015765			DRN: ANGEL COLON			DATE: 3 APR 78			DIGITAL				
ENG	ECO NUMBER	REV	SECTION A OF A			CHK'D:	D. HEALY			DATE:	7 APR 78					
	INITIAL	F	SECTION. VARIATION INDEX								TITLE PARTS LIST					
JD	7015765-ML005	F	[A]	00,01,02,03,04,05,								KEYBOARD/KEYCAP ASSEMBLY				
JD	7015765-ML006	H		06,07,08,09												
			[B]				DES.ENG.:	E. WEDEKING			DATE:	10 MAY 78				
			[C]									DOCUMENT NUMBER				
			[D]				RESP.ENG.:	G. DOUMANI			DATE:	17 MAY 7				
			[E]								SIZE	CODE	NUMBER	REV		
			[F]				MFG.ENG.:	K. HOFFMAN			DATE:	10 MAY 78	K	PL	7015765-0-DBP	H
							ASSEMBLY NUMBER:	D-AD-7015765-0-0			TOP DOCUMENT NUMBER:	#B-DD-7015765-0				
											FILE NAME:	Z1933H.PLS				
												EDIT #				
												6				

"THIS DRAWING AND SPECIFICATIONS HEREIN, ARE THE PROPERTY OF DIGITAL EQUIPMENT CORPORATION AND SHALL NOT BE REPRODUCED OR COPIED OR USED IN WHOLE OR IN PART AS THE BASIS FOR THE MANUFACTURE OR SALE OF ITEMS WITHOUT WRITTEN PERMISSION. COPYRIGHT (C) 1981. DIGITAL EQUIPMENT CORPORATION "

THIS DRAWING AND SPECIFICATIONS, WHICH ARE THE PROPERTY OF THE ARMY, NAVY, AIR FORCE AND SPACE FORCE, ARE TO BE KEPT IN CONFIDENCE AND NOT TO BE REPRODUCED OR TRANSMITTED IN ANY FORM OR BY ANY MEANS, ELECTRONIC OR MECHANICAL, INCLUDING PHOTOCOPYING, RECORDING, OR BY ANY INFORMATION STORAGE AND RETRIEVAL SYSTEM, WITHOUT PERMISSION IN WRITING FROM THE ARMY, NAVY, AIR FORCE AND SPACE FORCE.

NOTES:  
 1. EXCEPT AS OTHERWISE NOTED, THE FOLLOWING TABLE (SHEET 2) LISTS VARIATION NUMBERS FOR 124333 (KEYCAPS) INDICATING THE SPECIFIC KEYBOARD POSITION OF EACH AS USED ON VARIOUS MODELS.



KEYBOARD CAP POSITIONS  
 (SEE NOTE 1 & TABLE, SHEET 2)

REV. 1	DATE	BY	CHKD	APP'D
1	1-8-79	L. KING		
2	1-10-79	E. C. JAMES		
3	1-10-79	J. DENARINS		
4	1-10-79	F. HARMON		
5	1-10-79	G. BOURQUE		
6	1-10-79			
7	1-10-79			
8	1-10-79			

DESCRIPTION		DWG. PART NO.		ITEM NO.	
UNLESS OTHERWISE SPECIFIED DIMENSIONS ARE IN INCHES					
ANGLE	CLASS OF ACCURACY	NOMINAL DIMENSION RANGE INCHES			
OF 25	CHECK ONE	0.0001	0.0002	0.0003	0.0004
SURFACE QUALITY	IN	0.0005	0.0006	0.0007	0.0008
QUANTITY & VARIATION	MICROMETERS	0.0009	0.0010	0.0011	0.0012
REMOVE BURRS AND BREAK SHARP CORNERS	PREFERRED	0.0013	0.0014	0.0015	0.0016
DO NOT SCALE DWG	NEXT HIGHER ARMY.	0.0017	0.0018	0.0019	0.0020
MATERIAL	D-AD-7015765-0-0	SIZE CODE	D	NUMBER	AR 7015765-0-1
FINISH	SCALE NONE	SHEET	OF 2	DIST.	1
TITLE		REV. H			
KEYBD CAP-POSITION ARRANGEMENT		ML3			

KEYCAP VARIATION (1214333-XX) POSITIONS (SEE NOTE 1, SHEET 1)

THIS DRAWING AND SPECIFICATIONS HEREBY ARE THE PROPERTY OF DIGITAL EQUIPMENT CORPORATION AND SHALL NOT BE REPRODUCED OR COPIED OR USED IN WHOLE OR IN PART AS THE BASIS FOR THE MANUFACTURE OR SALE OF ITEMS WITHOUT WRITTEN PERMISSION. COPYRIGHT © 1978 DIGITAL EQUIPMENT CORPORATION.

Table with 86 columns (1-86) and multiple rows (D, C, B, A) containing keyboard cap position data for various models like VT100, LA120, LA34, etc. Each cell contains a letter or symbol representing the keycap position.

1217800-B8  
1217800-B9  
1217800-C1  
1217800-B5

Table with 3 columns: CHK, CHANGE NO., REV.

Table with 4 columns: TITLE (KEYBD CAP-POSITION ARRANGEMENT), SIZE CODE (D AR 7015765-0-1), NUMBER, REV. (H)

SCALE NONE SHEET 2 OF 2 DIST.



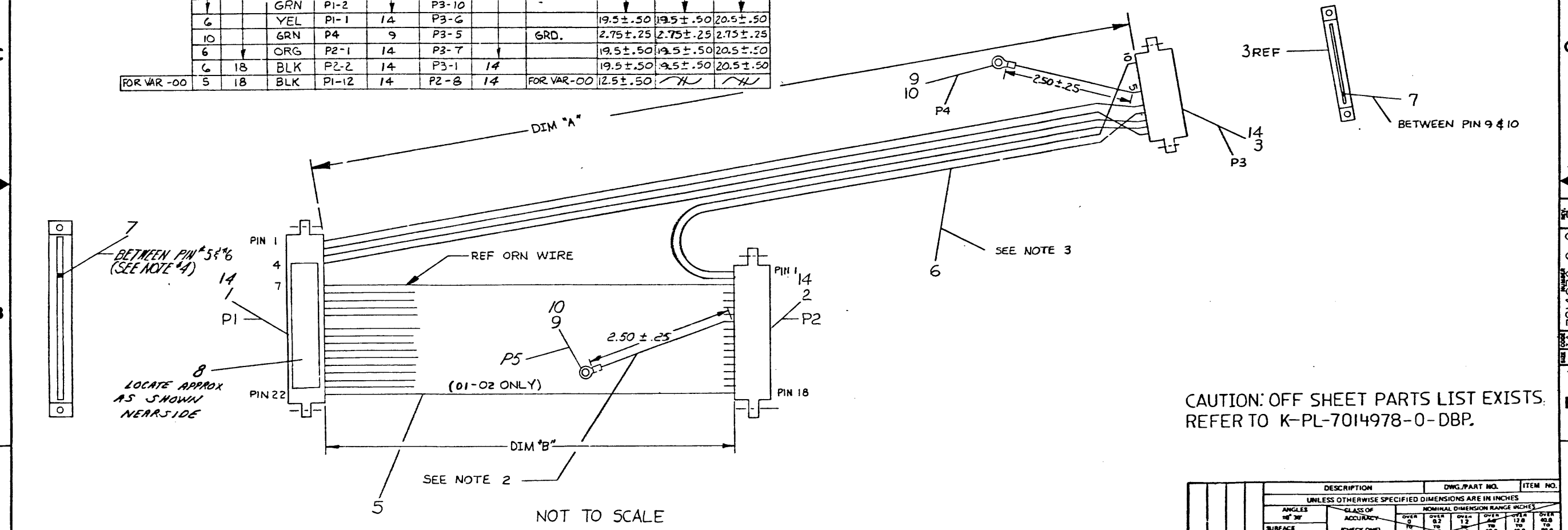
THIS DRAWING AND SPECIFICATIONS, HEREIN, ARE THE PROPERTY OF DIGITAL EQUIPMENT CORPORATION AND SHALL NOT BE REPRODUCED OR COPIED OR USED IN WHOLE OR IN PART AS THE BASIS FOR THE MANUFACTURE OR SALE OF ITEMS WITHOUT WRITTEN PERMISSION.  
 COPYRIGHT © 1977     DIGITAL EQUIPMENT CORPORATION

WIRE TABLE							OVER ALL CABLE LG.			
ITEM NO.	AWG	COLOR	FROM		TO		REMARKS	PRECUT WIRE LG FOR VAR-00	PRECUT WIRE LG FOR VAR-01	PRECUT WIRE LG FOR VAR-02
			CONN.	WITH	CONN.	WITH				
5	18	RED	P1-22	14	P2-18	14		12.5 ± .50	12.5 ± .50	14.5 ± .50
↑		RED	P1-21	↑	P2-17	↑		↑	↑	↑
		RED	P1-20	↑	P2-16	↑				
		RED	P1-19		P2-15					
		RED	P1-18		P2-14					
		BLK	P1-17		P2-13					
		BLK	P1-16		P2-12					
		BLK	P1-15		P2-11					
		BLK	P1-14	↓	P2-10					
5		BLK	P1-13	14	P2-9			12.5 ± .50	12.5 ± .50	14.5 ± .50
FOR VAR-01,-02,-03	10	GRN	P5	9	P2-8		GRD.	2.75 ± .25	2.75 ± .25	2.75 ± .25
5		YEL	P1-11	14	P2-7			12.5 ± .50	12.5 ± .50	14.5 ± .50
↑		RED	P1-10	↑	P2-6			↑	↑	↑
		BLUE	P1-9		P2-5					
↓		BLK	P1-8		P2-4					
5		ORG	P1-7		P2-3			12.5 ± .50	12.5 ± .50	14.5 ± .50
6		WHT	P1-4		P3-9			19.5 ± .50	19.5 ± .50	20.5 ± .50
↑		GRY	P1-3		P3-8			↑	↑	↑
↓		GRN	P1-2	↓	P3-10					
6		YEL	P1-1	14	P3-6			19.5 ± .50	19.5 ± .50	20.5 ± .50
10		GRN	P4	9	P3-5		GRD.	2.75 ± .25	2.75 ± .25	2.75 ± .25
6		ORG	P2-1	14	P3-7			19.5 ± .50	19.5 ± .50	20.5 ± .50
6	18	BLK	P2-2	14	P3-1	14		19.5 ± .50	19.5 ± .50	20.5 ± .50
FOR VAR-00	5	18	BLK	P1-12	14	P2-8	14	FOR VAR-00	12.5 ± .50	12.5 ± .50

VARIATION	DIM A	DIM B
7014978-00	19.50 ± .50	12.50 ± .50
7014978-01	19.50 ± .50	12.50 ± .50
7014978-02	20.50 ± .50	14.50 ± .50
7014978-03	19.50 ± .50	12.50 ± .50

**NOTES:**

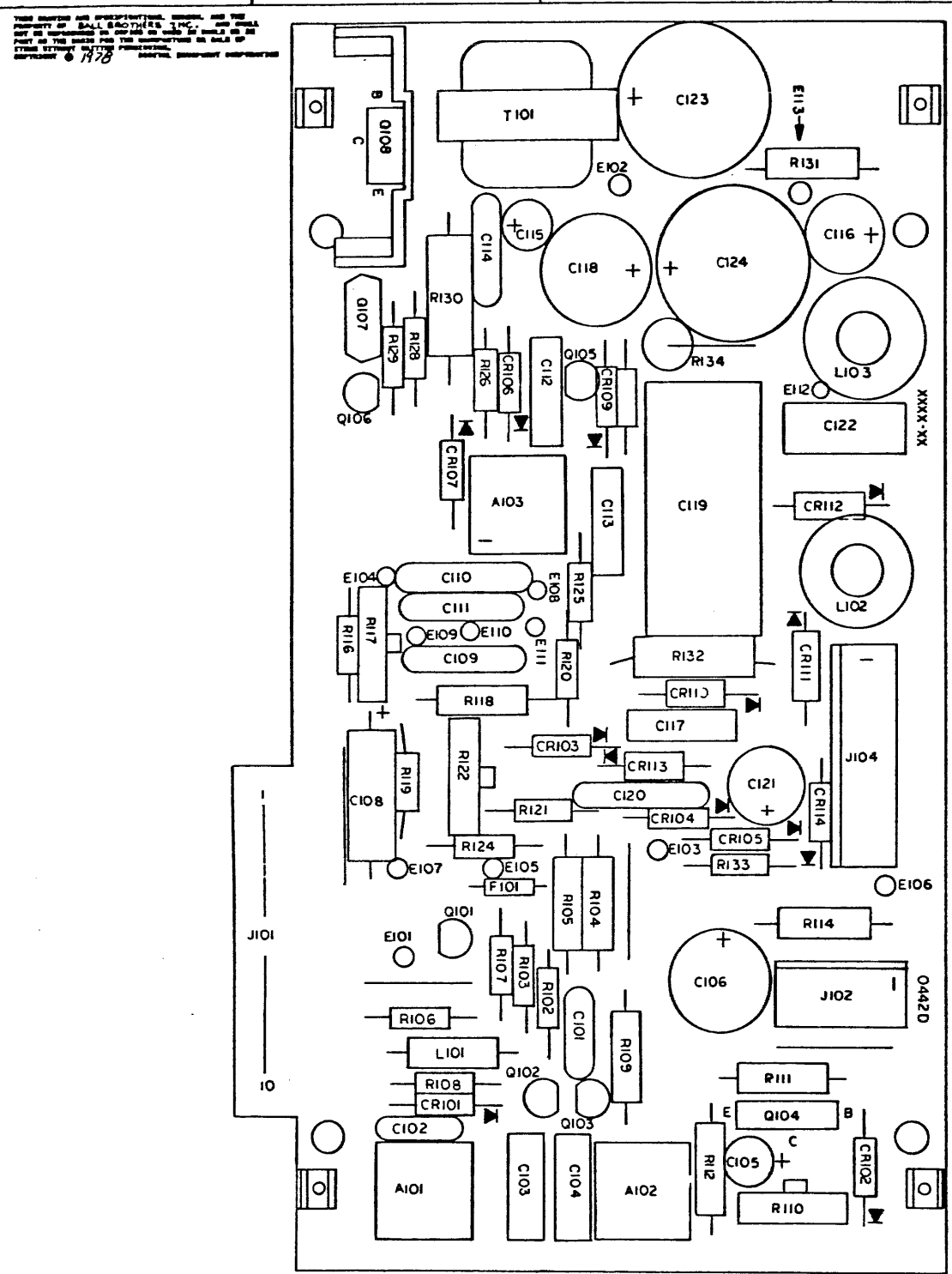
- IDENTIFICATION: DECAL USING 1/8" CHARACTER HEIGHT AS INDICATED BELOW TO HIGHEST LEVEL OF SUBASSEMBLY SPECIFIED ON PURCHASE ORDER AND LOCATE APPROX. AS SHOWN ON DRAWING.
  - A.) PART NUMBER
  - B.) REVISION
  - C.) VENDOR IDENTIFICATION
  - D.) DATE, CODE
- ON VARIATION (-01,-02,-03) CUT BACK BLK. WIRE FROM P2-8 TO P1-12 2.5 ± .25 IN. FROM BOTH ENDS.
- CUT BACK ORN & BLK WIRES OF (ITEM#6) TO 12.5 ± .25 IN.
- THE KEY PLUG IS ADDED BETWEEN PINS "5" & "6 OF P1 FOR VARIATION-03 ONLY.



CAUTION: OFF SHEET PARTS LIST EXISTS. REFER TO K-PL-7014978-0-DBP.

REV.	CHG.	BY	DATE	DESCRIPTION
A	1	W. BITT	12-11-76	REV. 1
B	1	J. BITT	12-11-76	REV. 2
C	1	G. BOUROU	12-11-76	REV. 3
D	1	G. BOUROU	12-11-76	REV. 4
E	1	G. BOUROU	12-11-76	REV. 5

QUANTITY & VARIATION	DESCRIPTION	DWG./PART NO.	ITEM NO.															
	UNLESS OTHERWISE SPECIFIED DIMENSIONS ARE IN INCHES																	
THIRD ANGLE PROJECTION	ANGLES 90° 30'	CLASS OF ACCURACY	NOMINAL DIMENSION RANGE INCHES															
	SURFACE QUALITY	CHECK ONE	<table border="1"> <tr><td>OVER 0</td><td>0.2</td><td>1.2</td><td>2.5</td><td>4.0</td><td>12.5</td><td>40.0</td><td>125.0</td></tr> <tr><td>1.0</td><td>0.2</td><td>1.0</td><td>2.0</td><td>4.0</td><td>10.0</td><td>30.0</td><td>80.0</td></tr> </table>	OVER 0	0.2	1.2	2.5	4.0	12.5	40.0	125.0	1.0	0.2	1.0	2.0	4.0	10.0	30.0
OVER 0	0.2	1.2	2.5	4.0	12.5	40.0	125.0											
1.0	0.2	1.0	2.0	4.0	10.0	30.0	80.0											
DO NOT SCALE DWG	MATERIAL	FINISH																
	SEE PARTS LIST	SCALE NONE																
NEXT HIGHER ASSY.		FIRST USED ON																
E-VA-VT100 - φ-φ		VT100																
TITLE		TITLE																
POWER CABLE ASSY		POWER CABLE ASSY																
SIZE CODE		NUMBER	REV.															
D		IA 7014978-0-0	E															
SHEET 1 OF 1		DIST.																



REF SYM	DESCRIPTION	PART NUMBER
<b>RESISTOR, FIXED, CARBON, 5%, 1/4W UNLESS NOTED</b>		
R101	47	70-16-0470
R102	30	70-16-0300
R103	47	70-16-0470
R104	220, 1/2W	1-011-2254
R105	820, 1/2W	1-011-2268
R106	470	70-16-0471
R107	360	70-16-0361
R108	100K	70-16-0104
R109	180, 1/2W	1-011-2252
R110	VAR; 250 20K, CO VERT HGT	70-89-0251
R111	12, 1/2W	1-011-2224
R112	15, 1/2W	1-011-2228
R113	NOT USED	
R114	1.5K; 1/2W	1-011-2274
R115	NOT USED	
R116	62K	70-16-0623
R117	100K, 20P	1-011-5435
R118	30K; 1/2W	1-011-2305
R119	9.1K	70-16-0912
R120	8.2M	70-16-0825
R121	100K	70-16-0104
R122	VAR; 2.5M 20K, CO FOC ADJ	1-011-5588
R123	NOT USED	
R124	510	70-16-0511
R125	7K	70-16-0102
R126	20K	70-16-0203
R127	3.3K	70-16-0332
R128	15K	70-16-0153
R129	2.4K	70-16-0242
R130	56 10; 3W, W	1-011-2521
R131	1.2; 1/2W, CO	1-011-2520
R132	1.2 10K; 2W, W	1-011-1395
R133	8.8K	70-16-0882
R134	1.8, 2W	1-011-2417
R135	NOT USED	
<b>TRANSFORMER</b>		
T2	HIGH VOLTAGE	6-003-0586
T101	HORIZ DRIVER	1-017-5402
<b>MISCELLANEOUS</b>		
	*CRT SOCKET	1-022-0427
	WIRE STRD GRN	1-038-0345
	HEATSINK	1-015-5058
	WIRE STRD BLU	1-038-0346
	WIRE STRD RED	1-038-0342
	CONTACT, FEMALE 6 2	1-034-0362
	MOHSOR 6-32X1/4	3-011-0310
	NUT 6-32	3-012-0181
	LK WSR #6	3-013-0180
	PWB	1-025-0442
	CONTACT, MALE	1-034-0235
	CONN SHELL, 1 CONT FEMALE	1-034-0233
<b>WIRE TERMINATION DATA</b>		
E103	CRT SOCKET YEL LEAD	
E105	CRT SOCKET GRN LEAD	
E107	CRT SOCKET BLK LEAD	
E108	CRT SOCKET RED LEAD	
E109	CRT SOCKET WHT LEAD	
E110	GRN WIRE 6.5 INCHES	
E111	CRT SOCKET GRN LEAD	
E112	BLUE WIRE, 10 INCHES	
E113	RED WIRE, 10 INCHES	

NOTES: 1. REFERENCE SCHEMATIC 1-024-0603  
 2. ALL REFERENCE SYMBOL NUMBERS 1 TO 99 ARE USED FOR ALL OFF BOARD COMPONENTS AND NUMBERS 100 TO 999 ARE USED FOR THE PWB COMPONENTS.  
 3. ALL PWB COMPONENTS PRECEDED WITH AN ASTERISK ARE NOT PART OF THE BASIC BOARD 6-200-0001.

REF SYM	DESCRIPTION	PART NUMBER
<b>PARTS LIST, TVX 120/DEC</b>		
A101	RES TRIM, BOK, VERT HOLD	1-011-8008
A102	RES TRIM, 20K, VERT LIM	1-011-8005
A103	RES TRIM, 2.5K, VIDEO CENTER	1-011-8001
<b>CAPACITOR, FIXED, UF UNLESS NOTED</b>		
C101	270PF 56, 500V, OM	1-012-0238
C102	.005 20K, 100V, CO	10-12-7508
C103	.22 10K, 100V, WY	1-012-2277
C104	.22 10K, 100V, WY	1-012-2277
C105	80, 50V, E	1-012-2288
C106	470, 8.3V, E	1-012-2158
C107	NOT USED	
C108	22, 25V, E	1-012-1380
C109	.01 20K, 1000V, CO	1-012-2214
C110	.02 20K, 1000V, CO	1-012-2217
C111	.01 20K, 1000V, CO	1-012-2214
C112	.0022 10K, 630V, WY	1-012-2254
C113	.0047 20K, 630V, WY	1-012-2279
C114	.01 20K, 100V, CO	10-12-7209
C115	1, 50V, E	1-012-2189
C116	50, 50V, E	1-012-2240
C117	.047 20K, 250V, WY	1-012-1559
C118	220, 25V, E	1-012-2255
C119	10 10K, 100V, WY	1-012-0780
C120	.02 20K, 500V, CO	1-012-2157
C121	50, 50V, E	1-012-2297
C122	.022 10K, 250V, PP	1-012-2273
C123	10, 25V, ER	
C124	10, 28V, ER	
<b>DIODE</b>		
CR1	00424	1-021-0424
CR101	00410	1-021-0410
CR102	00410	1-021-0410
CR103	00410	1-021-0410
CR104	00410	1-021-0410
CR105	00410	1-021-0410
CR106	00410	1-021-0410
CR107	00410	1-021-0410
CR108	NOT USED	
CR109	00410	1-021-0410
CR110	00403	1-021-0403
CR111	00458	1-021-0458
CR112	00458	1-021-0458
CR113	00403	1-021-0403
CR114	00410	1-021-0410
<b>FUSE</b>		
F101	2A-125V P100	1-028-0247
<b>CONNECTORS</b>		
J102	CONNECTOR, 4 PIN MALE	1-039-0146
J103	NOT USED	
J104	CONNECTOR, 7 PIN MALE	1-039-0145
<b>COIL</b>		
L1	VERTICAL CHORE	6-003-0572
L2	DEFLECTION, TVX 120/12V	1-023-0246
L101	560H	1-016-0302
L102	LINEARITY	1-016-0328
L103	WIDTH	1-016-0303
<b>TRANSISTOR</b>		
Q101	2N5830	1-015-1172
Q102	2N5227	1-015-1157
Q103	MPS-465	1-015-1186
Q104	MJE3055	1-015-1156
Q105	2N4124	1-015-1139
Q106	2N4124	1-015-1139
Q107	MPS-405	1-015-1158
Q108	6N407	1-015-1210

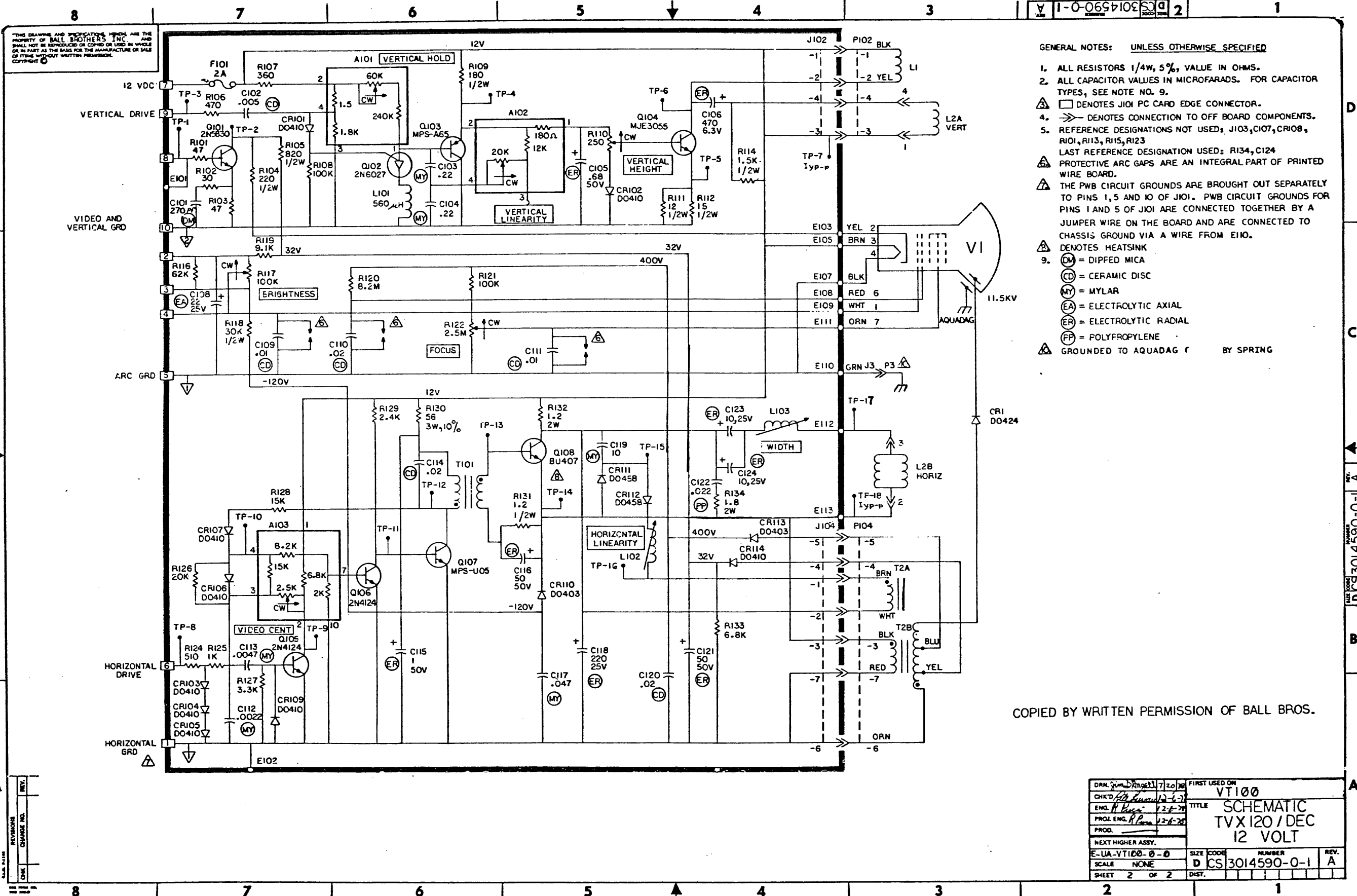
NOTES:  
 1) FLYBACK TRANSFORMER REPLACEMENT 3014590-01  
 2) PRINTED CIRCUIT BOARD REPLACEMENT 3014590-02

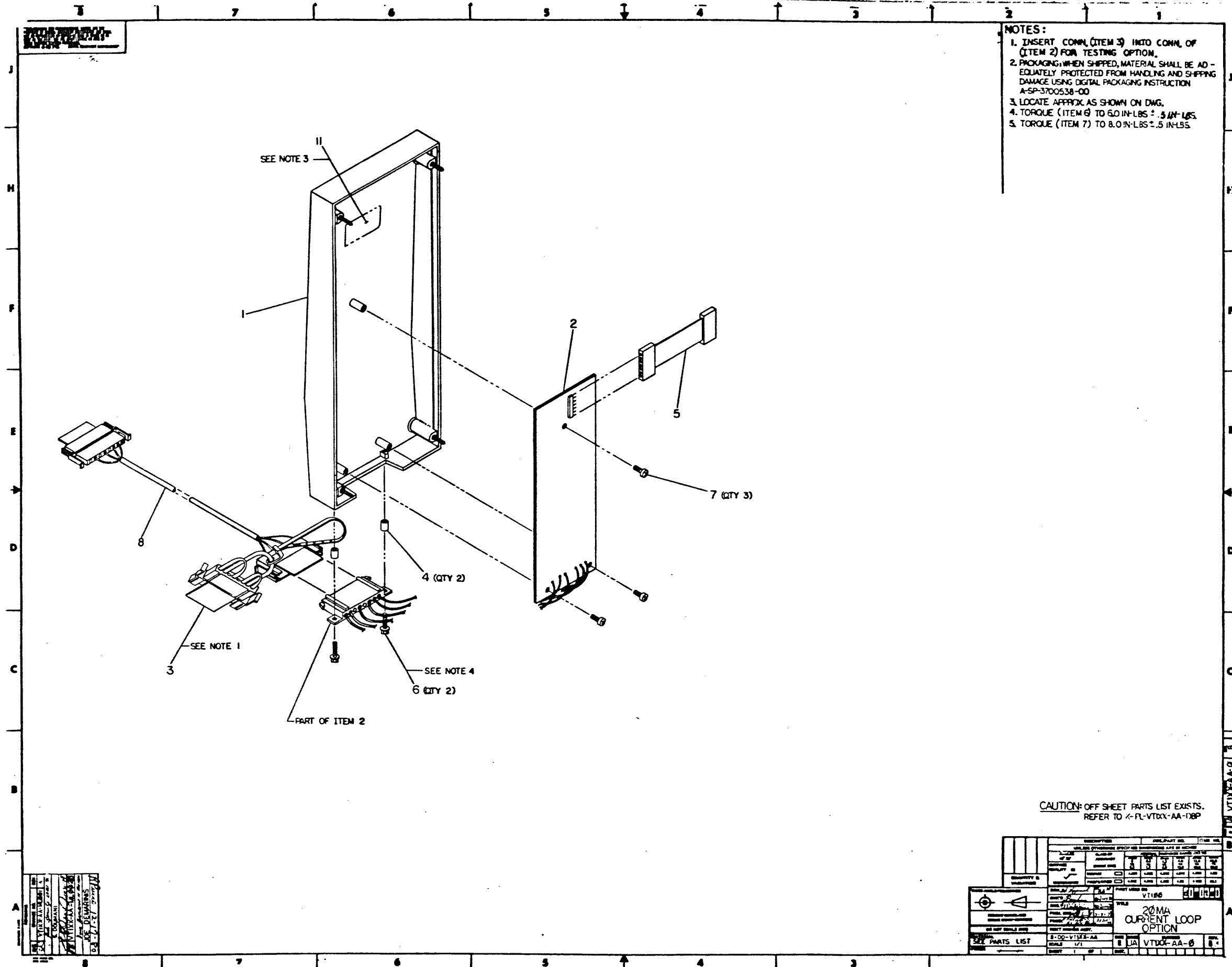
CHG	NO	REV

COPIED BY WRITTEN PERMISSION OF BALL BROTHERS INC.

ETCH REV.	
P.C. DESIGN DATA BRSE REV.	

SIGNATURES	DATE	digital
DRN. <i>[Signature]</i>	9-2-78	
CHK'D. <i>[Signature]</i>	9-2-78	TITLE SCHEMATIC TVX120/DEC 12 VOLT
ENG. <i>[Signature]</i>	12-4-78	
PROJ. ENG. <i>[Signature]</i>	12-6-78	SIZE CODE NUMBER REV D CS. 3014590-0-1 A





- NOTES:**
1. INSERT CONN. (ITEM 3) INTO CONN. OF (ITEM 2) FOR TESTING OPTION.
  2. PACKAGING: WHEN SHIPPED, MATERIAL SHALL BE ADEQUATELY PROTECTED FROM HANDLING AND SHIPPING DAMAGE USING DIGITAL PACKAGING INSTRUCTION A-SP-3700538-00
  3. LOCATE APPROX. AS SHOWN ON DWG.
  4. TORQUE (ITEM 6) TO 6.0 IN-LBS ± .5 IN-LBS.
  5. TORQUE (ITEM 7) TO 8.0 IN-LBS ± .5 IN-LBS.

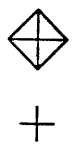
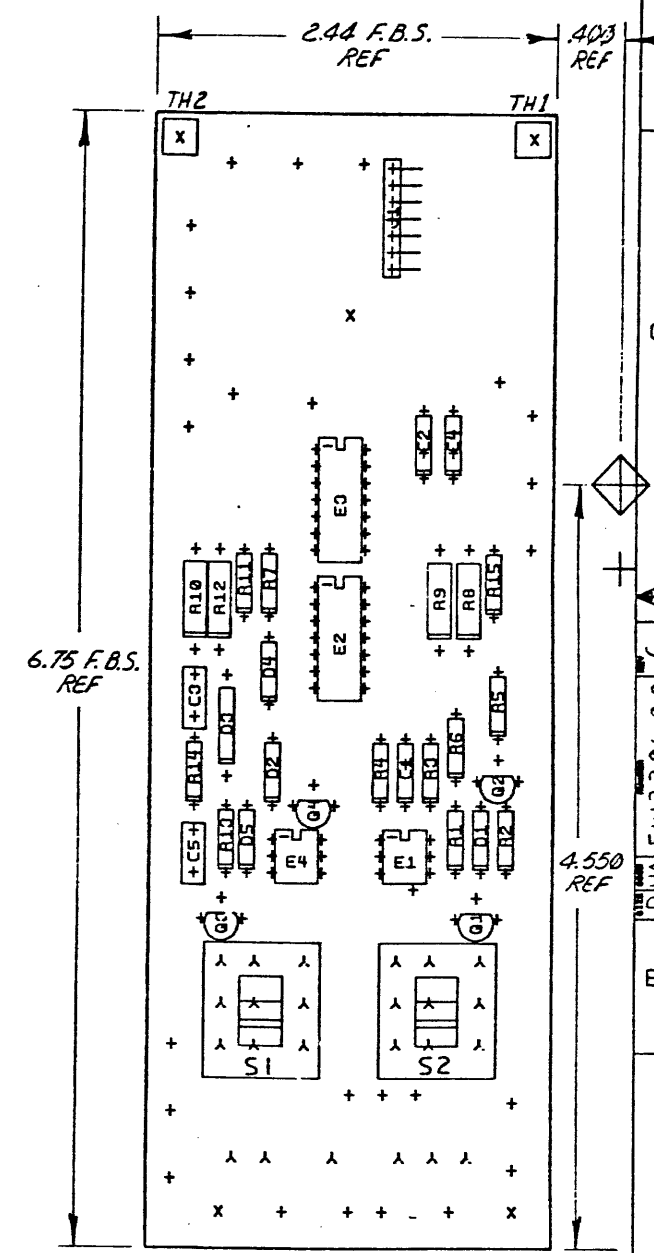
CAUTION: OFF SHEET PARTS LIST EXISTS. REFER TO 4-FL-VTDXX-AA-08P

REV	DATE	BY	CHKD
1	12/17/78	...	...
2	...	...	...
3	...	...	...

DESCRIPTION		QUANTITY	UNIT
20MA CURRENT LOOP OPTION		1	EA
PARTS LIST		1	EA
SCALE 1/1		1	EA
DRAWN BY		...	...
CHECKED BY		...	...
APPROVED BY		...	...

THIS DRAWING AND SPECIFICATIONS, HEREIN, ARE THE PROPERTY OF DIGITAL EQUIPMENT CORPORATION AND SHALL NOT BE REPRODUCED OR COPIED IN WHOLE OR IN PART OR IN ANY MANNER FOR THE MANUFACTURE OR SALE OF ITEMS WITHOUT THE WRITTEN PERMISSION. COPYRIGHT © 1983 DIGITAL EQUIPMENT CORPORATION

COMPONENT SIDE VIEW



NOTES:

STEP 1	+ Y AXIS	STEP 0	TIMES
REPEAT	-> X AXIS	2.750/2.5/2.750	

CHK	CHANGE NO	REV	
5413206	PN001	C	
REVISED & REDRAWN			
J. DEMARINIS			10-1-80

ETCH REV. D
-------------

SIGNATURES	DATE	digital
DRN. V. PARECHANIAN	III-77	
CHK. D. M. MORTENSEN	III-77	
MECH. ENG. M. MORTENSEN	4-78	
PROJ. ENG. N. FORRESTER	5-78	
PROD. R. PUCCI	6-78	
SCALE 2/1		
SHT. 1 OF 1		
NEXT HIGHER ASSY. BDD-5413206-0		

TITLE  
20 MA ADAPTER

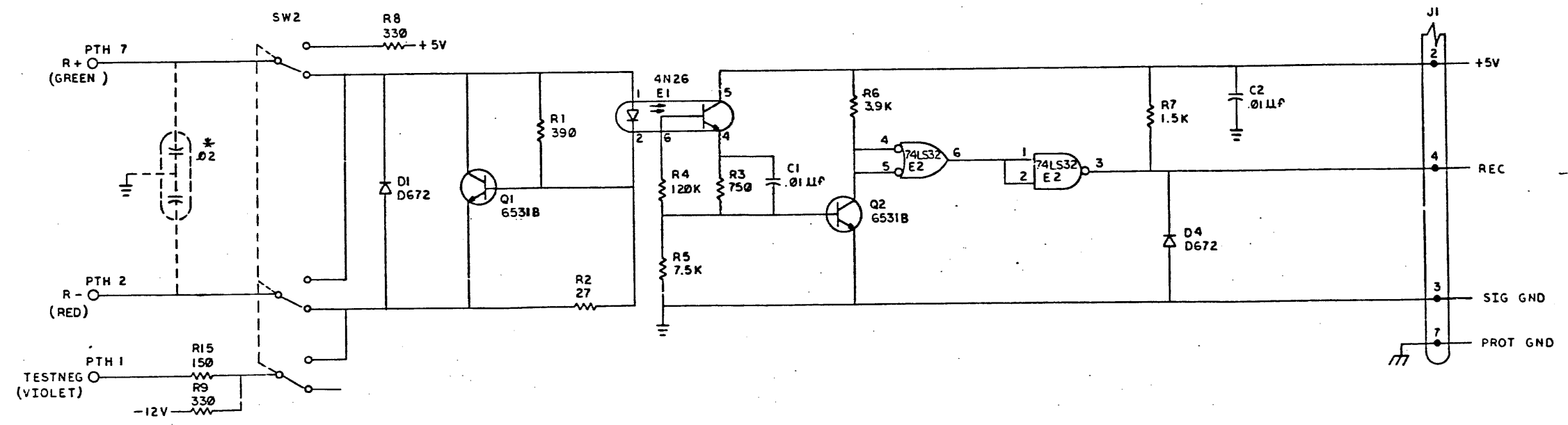
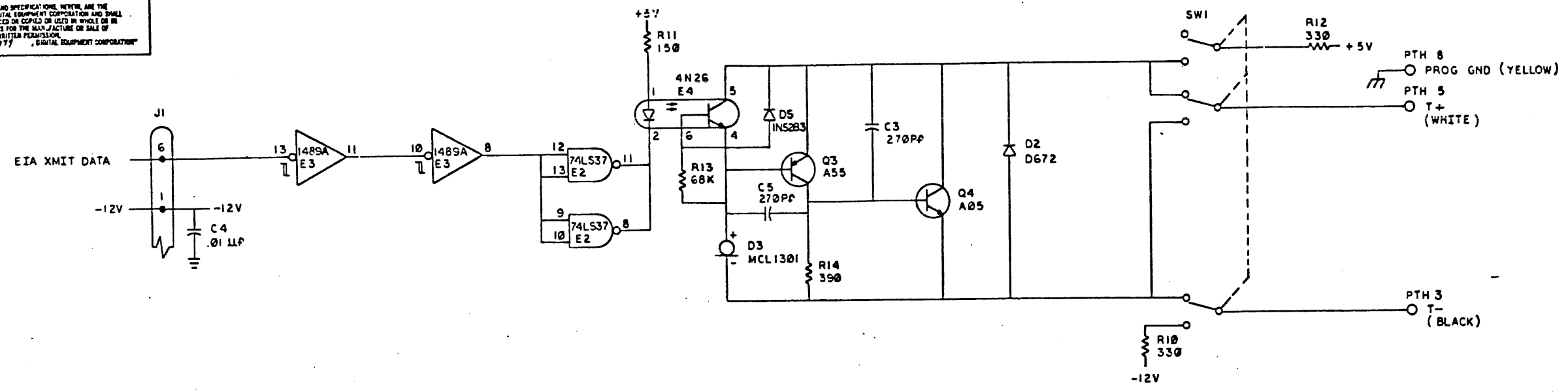
SIZE CODE 0 UA  
NUMBER 5413206-0-0  
REV C

WO#150226

LINE	ITEM	DOCUMENT NUMBER	PART NUMBER	DESCRIPTION	QTY PER VARIATION	REFERENCE DESIGNATOR
					00	
1	1	D-1D-5013205-0-0	5013205-00	ETCH BOARD FOR 5413206	1	
2	2		1000022-00	270.0 MMF 100V 5%200PPM MICA	2	C3,C5
3	3		1001610-00	.01 MFD 50V +20-20% 25U CER	3	C1,C2,C4
4	4		1105275-00	D 672 TR= 15NS PIV= 60V SI	3	D1,D2,D4
5	5		1105610-00	MCL1301 CL31MA FROM10-80V	1	D3
6	6		1215048-01	CONN 7POS RT ANGLE	1	J1
7	7		1215089-00	SW,SLIDE 3P 1A DBLE THROW	2	S1,S2
8	8		1301522-00	27.0 .25 W 5.0 % CC	1	R2
9	9		1300250-00	150.0 .25 W 5.0 % CC	2	R11,R15
10	10		1300296-00	330.0 .50 W 5.0 % CC	4	R8,R9,R10,R12
11	11		1300309-00	390.0 .25 W 5.0 % CC	2	R1,R14
12	12		1300391-00	1.50 K .25 W 5.0 % CC	1	R7
13	13		1300444-00	3.90 K .25 W 5.0 % CC	1	R6
14	14		1300539-00	120.0 K .25 W 5.0 % CC	1	R4
15	15		1301327-00	68.0 K .25 W 5.0 % CC	1	R13
16	16		1301401-00	750.0 .25 W 5.0 % CC	1	R3
17	17		1301422-00	7.50 K .25 W 5.0 % CC	1	R5
18	18		1509338-00	DEC6531B NPN 310MW SI 40 90 P	2	Q1,Q2
19	19		1510705-00	XA 05 NPN 500MW SI 60 50 P	1	Q4
20	20		1510706-00	XA 55 PNP 500MW SI 60 50 P	1	Q3
21	21		1916959-00	POTOTRANSISIOR	2	E1,E4
22	22		1912817-00	LS37 NAND GATE=QUAD 2IN,P	1	E2
23	23		1913130-00	DEC 1489A RECEIVER,LINE,QUAD,	1	E3
24	24		1113003-00	IN 5282 PIV=55 I=500M D035	1	D5

REVISION HISTORY		BASIC PART NO: 5413206		DRN:	T. SHETRAWSKI	DATE:	30-MAR-78	D I G I T A L			
ENG	ECO NUMBER	REV	SECTION A OF A	CHK'D:	T. SHETRAWSKI	DATE:	30-MAR-78	TITLE PARTS LIST			
---	INIT	B	SECTION VARIATION INDEX	DES.ENG:	M. MORGENSTERN	DATE:	30-MAR-78	DOCUMENT NUMBER			
JB	5413206-PN001	C	[A] 00	RESP.ENG.:	M. MORGENSTERN	DATE:	30-MAR-78	SIZE CODE NUMBER REV			
			[B]	MFG.ENG.:	T. CORCIARI	DATE:	30-MAR-78	K	PL	5413206-0-DBP	C
			[C]	ASSEMBLY NUMBER:		TOP DOCUMENT NUMBER:		FILE NAME:		EDIT #	
			[D]	D-UA-5413206-0-0		IVE100		13206C,PLS		6	
			[E]	"THIS DRAWING AND SPECIFICATIONS HEREIN, ARE THE PROPERTY OF DIGITAL EQUIPMENT CORPORATION AND SHALL NOT BE REPRODUCED OR COPIED OR USED IN WHOLE OR IN PART AS THE BASIS FOR THE MANUFACTURE OR SALE OF ITEMS WITHOUT WRITTEN PERMISSION. COPYRIGHT (C) 1980, DIGITAL EQUIPMENT CORPORATION"							
			[F]								
			[G]								
			[H]								
			[I]								
			[J]								
			[K]								
			[L]								
			[M]								
			[N]								

THIS DRAWING AND SPECIFICATIONS HEREIN ARE THE PROPERTY OF DIGITAL EQUIPMENT CORPORATION AND SHALL NOT BE REPRODUCED OR COPIED OR USED IN WHOLE OR IN PART AS THE BASIS FOR THE MANUFACTURE OR SALE OF ITEMS WITHOUT WRITTEN PERMISSION. DIGITAL EQUIPMENT CORPORATION. COPYRIGHT © 1977.



NOTE:  
1. \* OPTIONAL

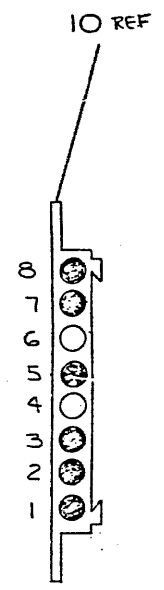
REV.	CHANGE NO.	DATE	BY
1	1	12-16-77	J. DEMARINIS
2	1	1-13-78	J. DEMARINIS
3	1	1-13-78	J. DEMARINIS
4	1	1-13-78	J. DEMARINIS

DRN	1-13-78	FIRST USED ON	VT100
CHK	1-13-78	TITLE	20 MA ADAPTOR
ENG.	1-13-78	PROJECT	CS 5413206-0-1 C
PROJ. ENG.	1-13-78	PROD. PLAN	1-13-78
NEXT HIGHER ASSY.		SIZE	D
D-UA-5413206-0-0		CODE	CS 5413206-0-1 C
SCALE		NUMBER	1
SHEET		DIST.	

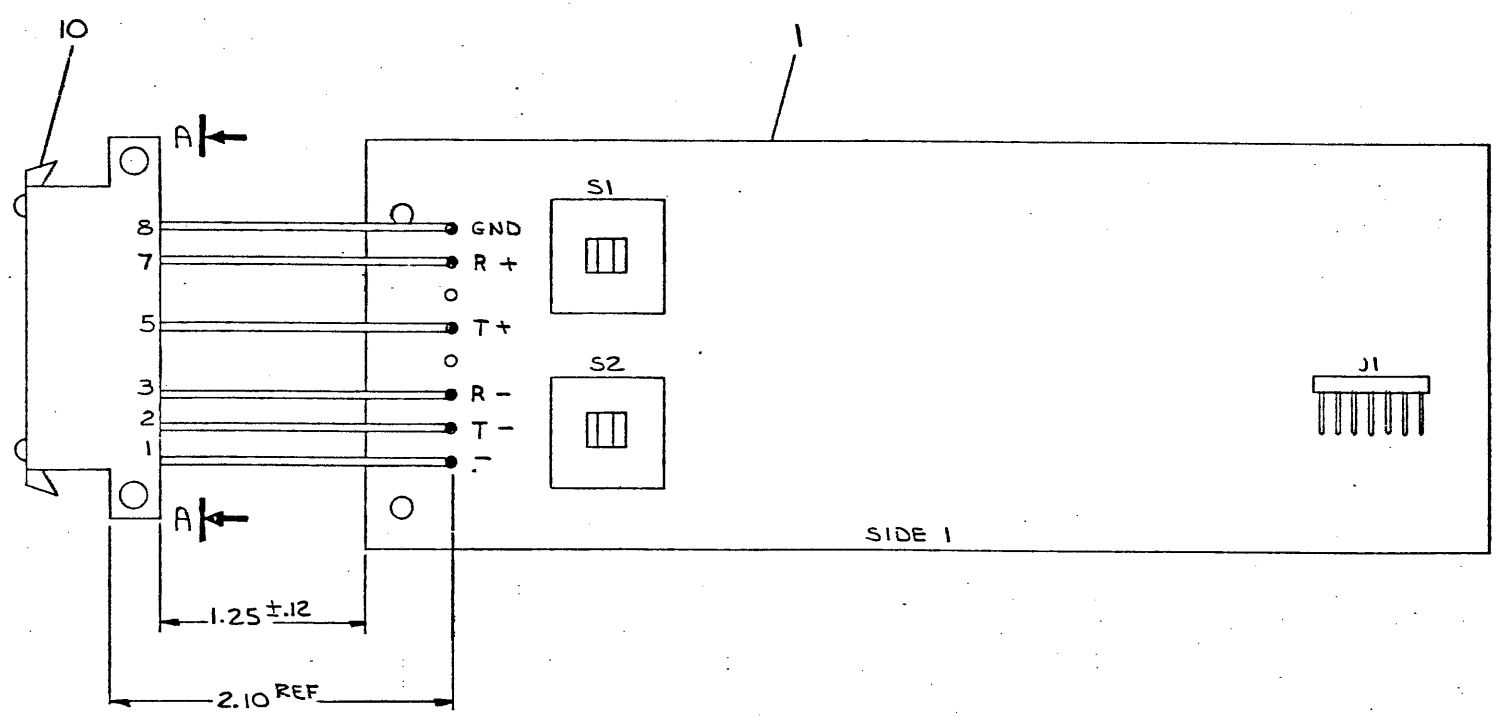
THIS DRAWING AND SPECIFICATIONS HEREAFTER ARE THE PROPERTY OF DIGITAL EQUIPMENT CORPORATION AND SHALL NOT BE REPRODUCED OR COPIED OR USED IN WHOLE OR IN PART AS THE BASIS FOR THE MANUFACTURE OR SALE OF ITEMS WITHOUT WRITTEN PERMISSION.  
 COPYRIGHT © (1977) DIGITAL EQUIPMENT CORPORATION

WIRE TABLE							
ITEM NO.	AWG	COLOR	FROM		TO		REMARKS
			CONN	WITH	CONN	WITH	
10	22	YELLOW	PIN 8		ITEM 1	GND	
		GREEN		7		R+	
		WHITE		5		T+	
		RED		3		R-	
		BLACK		2		T-	
10	22	VIOLET	PIN 1		ITEM 1	-	

NOTES:  
 1. FOR INDIVIDUAL FIELD SERVICE / CUSTOMER SPARES SHIPMENTS USE PACKAGING INSTRUCTIONS A-SP-3700550-0-0, FOR BULK INTERPLANT SHIPMENTS USE PACKAGING INSTRUCTIONS A-SP-3700429-0-0, VARIATION-03



VIEW A-A (REAR VIEW)



CAUTION: OFF SHEET PARTS LIST EXISTS, SEE K-PL-7015273-0-DBP.

REV.	CHANGE NO.	DESCRIPTION
A	1	INITIAL DESIGN
B	2	REVISION
C	3	REVISION
D	4	REVISION

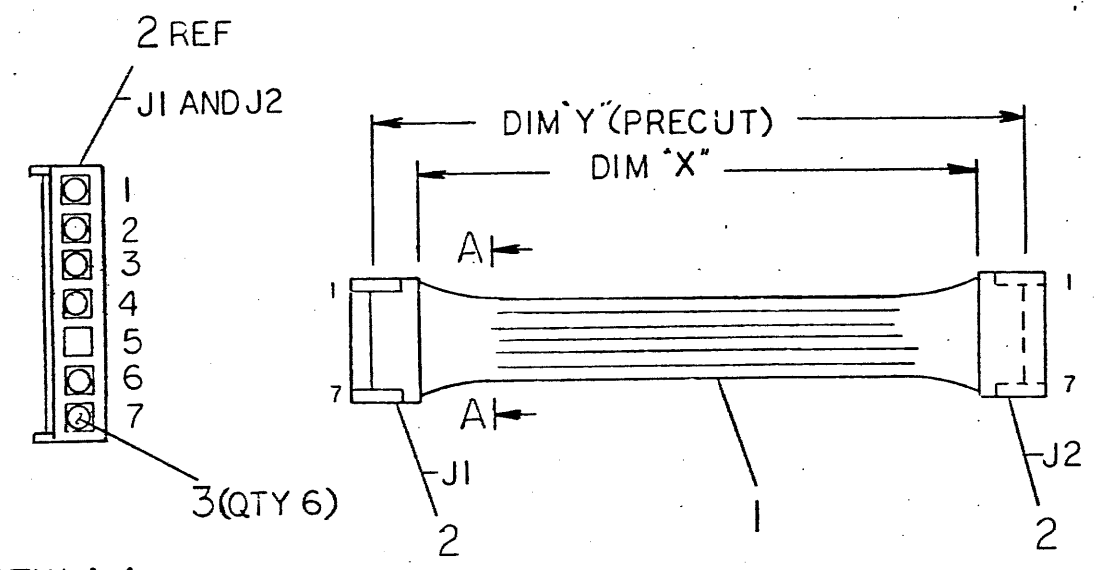
ANGLES UNLESS OTHERWISE SPECIFIED DIMENSIONS ARE IN INCHES CLASS OF ACCURACY SURFACE QUALITY QUANTITY & VARIATION THIRD ANGLE PROJECTION REMOVE BURRS AND BREAK SHARP CORNERS DO NOT SCALE DWG MATERIAL SEE PARTS LIST FINISH	DESCRIPTION UNLESS OTHERWISE SPECIFIED DIMENSIONS ARE IN INCHES CLASS OF ACCURACY SURFACE QUALITY QUANTITY & VARIATION THIRD ANGLE PROJECTION REMOVE BURRS AND BREAK SHARP CORNERS DO NOT SCALE DWG MATERIAL SEE PARTS LIST FINISH	DWG. PART NO. ITEM NO. UNLESS OTHERWISE SPECIFIED DIMENSIONS ARE IN INCHES CLASS OF ACCURACY SURFACE QUALITY QUANTITY & VARIATION THIRD ANGLE PROJECTION REMOVE BURRS AND BREAK SHARP CORNERS DO NOT SCALE DWG MATERIAL SEE PARTS LIST FINISH	FIRST USED ON TITLE SIZE CODE NUMBER DIST.
	DRN: [Signature] CHK'D: [Signature] ENG: [Signature] PROD: [Signature]	FIRST USED ON TITLE SIZE CODE NUMBER DIST.	FIRST USED ON TITLE SIZE CODE NUMBER DIST.

PART NO. DA7015273-0-0



"THIS DRAWING AND SPECIFICATIONS, HEREIN, ARE THE PROPERTY OF DIGITAL EQUIPMENT CORPORATION AND SHALL NOT BE REPRODUCED OR COPIED OR USED IN WHOLE OR IN PART AS THE BASIS FOR THE MANUFACTURE OR SALE OF ITEMS WITHOUT WRITTEN PERMISSION. COPYRIGHT © 1978, DIGITAL EQUIPMENT CORPORATION"

WIRE TABLE						
ITEM NUMBER	DESCRIPTION		FROM		TO	
	AWG	COLOR	CONNECTION	WITH	CONNECTION	WITH
1	24	BLK	J1-1	3	J2-1	3
	↑	↑	J1-2	↑	J2-2	↑
	↑	↑	J1-3	↑	J2-3	↑
	↑	↑	J1-4	↑	J2-4	↑
	↓	↓	J1-6	↓	J2-6	↓
	24	BLK	J1-7	3	J2-7	3



VIEW A-A  
REAR VIEW  
2 PLACES

LEGEND		
NUMBER	DIM 'X' VARIATION	DIM 'Y' (PRECUT) REF
7015506-0B	2.0 IN ±.25 IN.	2.75 IN.

DESCRIPTION	DWG./PART NO.	ITEM NO.
12 CONTACT, PIN	1214979-00	3
2 HOUSING, 7 CONN	1215047-01	2
A/R WIRE, 24AWG, STRD (BLK)	9107450-00	1

CLASS OF ACCURACY	NOMINAL DIMENSION RANGE INCHES					
	OVER 0 TO 0.2	OVER 0.2 TO 1.2	OVER 1.2 TO 4.0	OVER 4.0 TO 12.0	OVER 12.0 TO 40.0	OVER 40.0 TO 80.0
MEDIUM	±.004	±.008	±.012	±.016	±.024	±.04
PREFERRED	±.012	±.016	±.025	±.04	±.062	±.1

REV.	CHANGE NO.	CHK	DATE
1		ML001	1-23-78
2		20202	1-23-78
3		C. JAMES	1-24-78
4		Richard A. Price	1-24-78

THIRD ANGLE PROJECTION	DRN. <i>Lothar</i> 5-2-78	FIRST USED ON	VT100
REMOVE BURRS AND BREAK SHARP CORNERS	CHK'D <i>[Signature]</i> 1-23-78	TITLE	CABLE, INTERNAL 20 MA ADAPTOR
DO NOT SCALE DWG	PROJ. ENG. <i>[Signature]</i> 1-23-78	SIZE	C
MATERIAL SEC PARTS LIST	PROD. <i>[Signature]</i> 1-24-78	CODE	IA
FINISH	NEXT HIGHER ASSY.	NUMBER	7015506-0-0
		REV.	A
		SHEET	1 OF 1

MANUFACTURE P-1088

DEC FORM NO.

This drawing and specifications, herein, are the property of Digital Equipment Corporation and shall not be reproduced or copied or used in whole or in part as the basis for the manufacture or sale of items without written permission.

**LEGEND**

NUMBER	DIM "X" VARIATION	DIM "Y" (PRECUT) REF
BC05F-15	15 FT. ± 3 IN.	15 FT. .75 IN. ± 3 IN.
BC05F-9	9 FT. ± 2 IN.	9 FT. .75 IN. ± 2 IN.
BC05F-04	4 FT. ± 1 IN.	4 FT. .75 IN. ± 1 IN.
BC05F-25	25 FT. ± 3 IN.	25 FT. .75 IN. ± 3 IN.
BC05F-30	30 FT. ± 2%	30 FT. .75 IN. ± 2%
BC05F-45	45 FT. ± 2%	45 FT. .75 IN. ± 2%
BC05F-50	50 FT. ± 2%	50 FT. .75 IN. ± 2%
BC05F-90	90 FT. ± 2%	90 FT. .75 IN. ± 2%
BC05F-80	200 FT. ± 2%	200 FT. .75 IN. ± 2%
BC05F-C0	300 FT. ± 2%	300 FT. .75 IN. ± 2%
BC05F-E0	500 FT. ± 2%	500 FT. .75 IN. ± 2%

**WIRE TABLE**

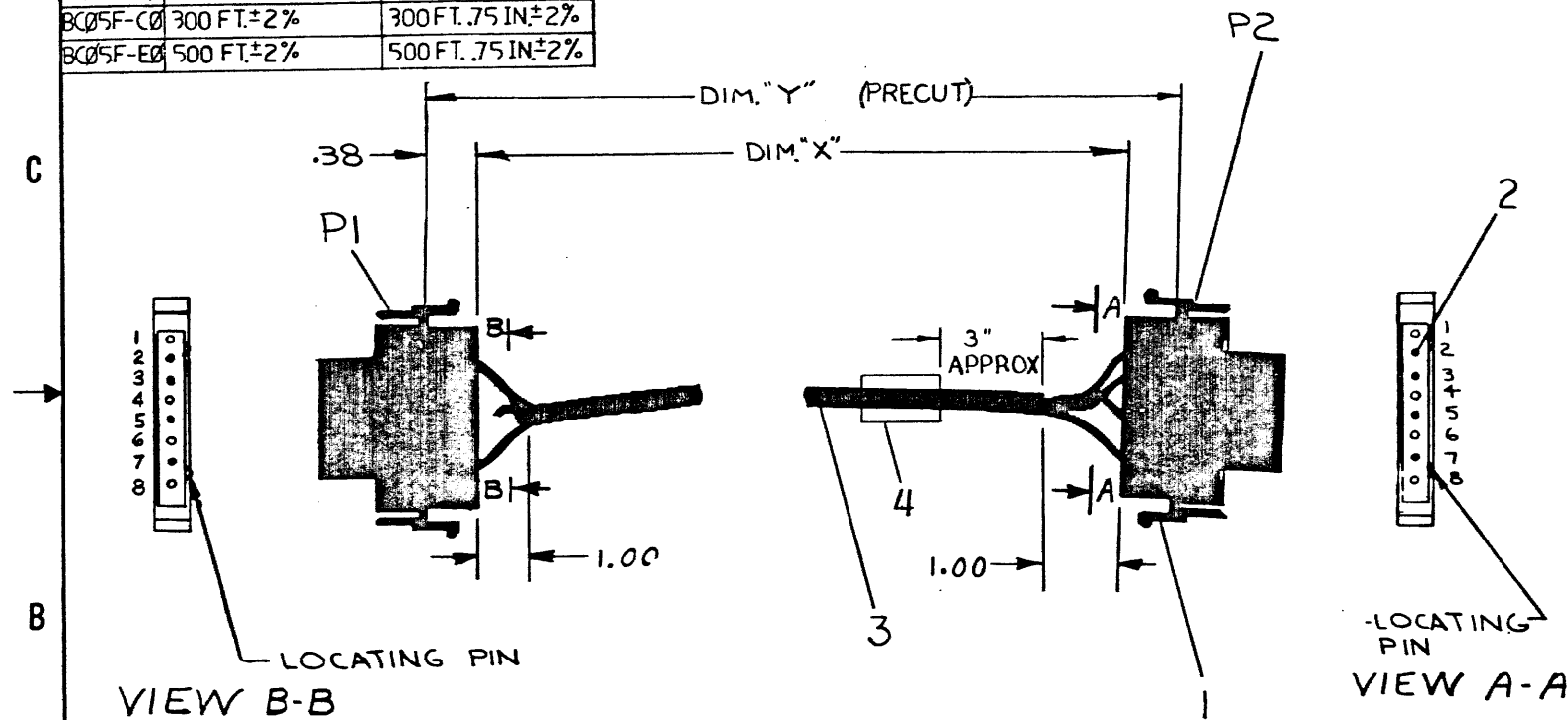
ITEM NO	DESCRIPTION	FROM	TO
3	22 BLK	P1-2	P2-3
3	22 RED	P1-3	P2-2
3	22 WHT	P1-5	P2-7
3	22 GRN	P1-7	P2-5

**LEGEND CONT.**

NUMBER	DIM "X"	DIM "Y" REF
BC05F-E5	550 FT. ± 2%	550 FT. .75 IN. ± 2%
BC05F-L0	1000 FT. ± 2%	1000 FT. .75 IN. ± 2%

**NOTES:**

1. ASSEMBLE CABLE I.D. LABEL TO AREA AS SHOWN BELOW.



CAUTION: FOR OFF SHEET PARTS LIST SEE K-PL-9C05F-0-0.

REV.	CHANGE NO.	DATE	BY	CHK'D.
A	00001	11-8-71	R. FITCH	
B	00119	11-9-71	Robert Fitch	
C	00002	7-17-75	J. BITTO	
D	ML003	22 JUN 76	R. FITCH	
E	MK004	27 May 81	J. DESUK	

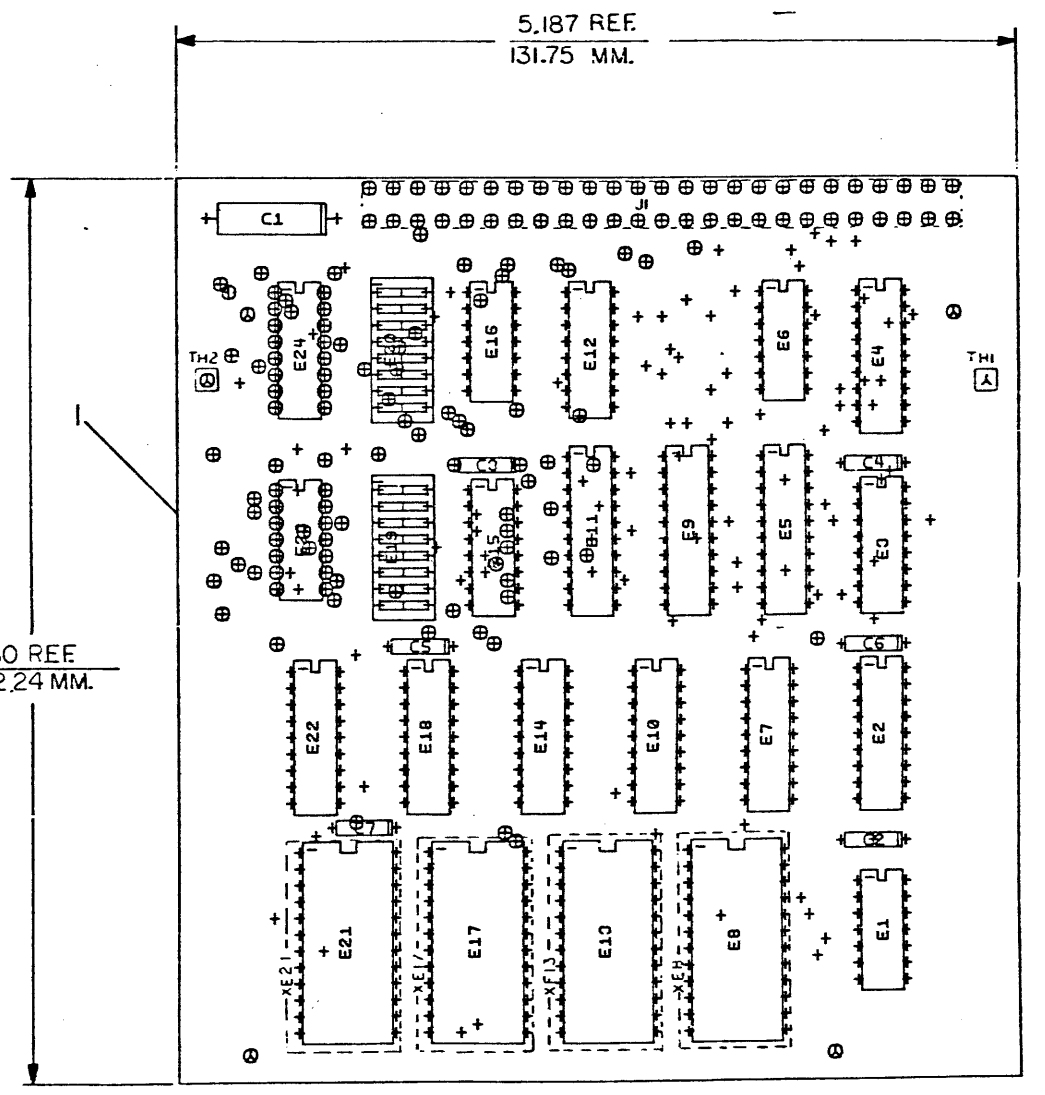
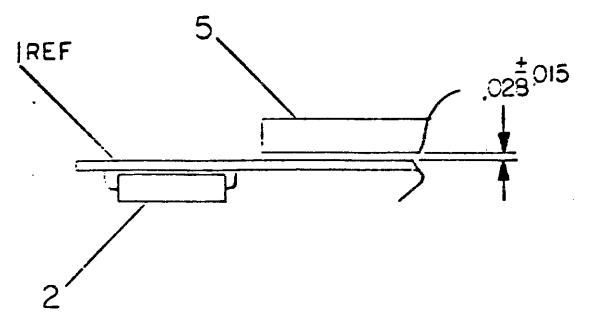
FIRST USED ON OPTION MODEL	QTY.	DESCRIPTION	PART NO.	ITEM NO.
DF11				
PARTS LIST				
UNLESS OTHERWISE SPECIFIED		DRN. <i>H. London 10/6/71</i>	DATE 10/8/71	
UNLESS OTHERWISE SPECIFIED		CHK'D. <i>P. Milan</i>	DATE 10/8/71	
DIMENSION IN INCHES		ENG. <i>Robert Fitch</i>	DATE 10-19-71	
TOLERANCES		PROJ. ENG. <i>Robert Fitch</i>	DATE 10-19-71	
DECIMALS ± .005		PROB. <i>Paul Grooms</i>	DATE 10-24-71	
FRACTIONS ± 1/64		NEXT HIGHER ASSY		
ANGLES ± 0°30'		++		
FINAL SURFACE QUALITY REMOVE BURRS AND BREAK SHARP CORNERS		SCALE + +		
MATERIAL		SHEET 1 OF 1		
FINISH		DST. G		
		SIZE CODE NUMBER REV.		
		CUA BC05F-0-0 E		

**digital** EQUIPMENT CORPORATION  
JAYNARD, MASSACHUSETTS  
TITLE  
**CABLE INTERFACE**  
**BC05F**

SIZE CODE NUMBER REV.  
 CUA BC05F-0-0 E

THIS DRAWING AND SPECIFICATIONS, HEREIN, ARE THE PROPERTY OF DIGITAL EQUIPMENT CORPORATION AND SHALL NOT BE REPRODUCED OR COPIED IN WHOLE OR IN PART, OR THE BASIS FOR THE MANUFACTURE OR SALE OF ITEMS WITHOUT WRITTEN PERMISSION. COPYRIGHT © 1972 DIGITAL EQUIPMENT CORPORATION

COMPONENT SIDE VIEW



NOTES: J1 CONN MOUNTED ON SIDE 2

STEP E → Y AXIS — STEP — TIMES 2 ML 2  
REPEAT → X AXIS 2.250 STEP 1 TIMES

CHK	CHANGE NO	REV	DATE
	5413097ML005	F	
	DESIGNED BY		
	DRAWN BY		
	APPROVED BY		
	DATE		

ETCH REV. C-P 3

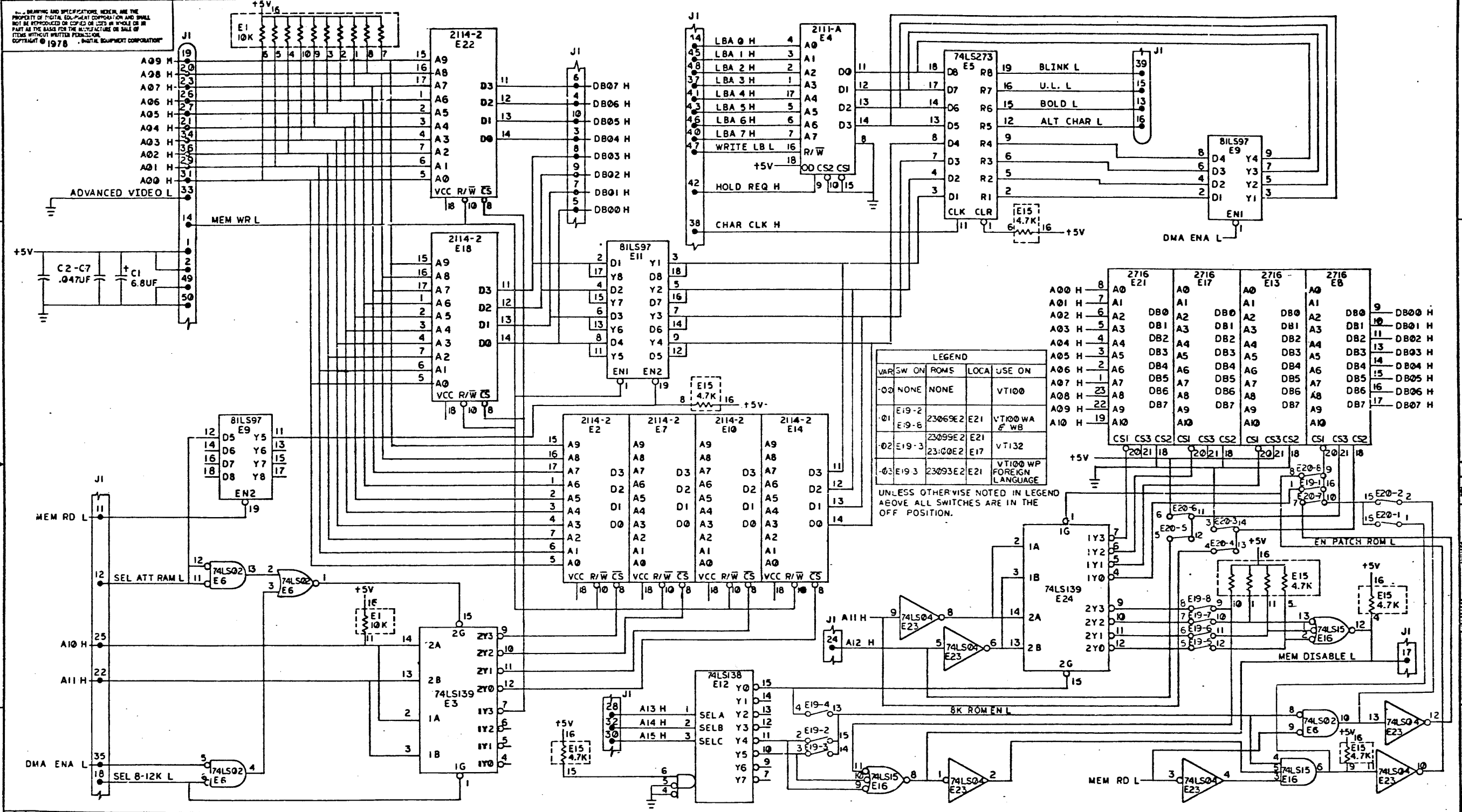
SIGNATURES	DATE	digital
DRN. <i>[Signature]</i>	2-2-72	
CHK'D. <i>[Signature]</i>	2-2-72	
MECH. ENG. <i>[Signature]</i>	2-2-72	
PROJ. ENG. <i>[Signature]</i>	2-2-72	
PROD. <i>[Signature]</i>	2-2-72	
SCALE 2:1		TITLE VT100
SHT. 1 OF 1		ADVANCED VIDEO
NEXT HIGHER ASSY. 8-00-5413097-03		SIZE CODE NUMBER REV
		D UA5413097-0-0 F

1 WO# 104159

LINE	ITEM	DOCUMENT NUMBER	PART NUMBER	DESCRIPTION	QTY PER VARIATION				REFERENCE DESIGNATOR
					00	01	02	03	
1	1	D-MD-5013096-0-0	5013096-00	DRILL & ETCH DRAWING	1	1	1	1	
2	2		1005306-00	6.8MFD 35V 10% S.TANT	1	1	1	1	C1
3	3		1012784-00	.047 MFD 50V +80-20% CER	6	6	6	7	C2-C7
4	4		1215006-06	SOCKET 24PIN IC LOW PROFILE	4	4	4	4	XE8,XE13,XE17,XE21
5	5		1214060-01	HEADER.150 50POS	1	1	1	1	J1
6	6		1300005-03	R NETWORK 13-10K 5.0 % 14PIN	1	1	1	1	E1
7	7		1300005-07	R NETWORK 15-4.7K 5.0 % 16PIN	1	1	1	1	E15
8	8		1912801-00	LS02 NOR-GATE-QUAD 2IN	1	1	1	1	E6
9	9		1912803-00	74LS04 INVERTER GATE,HEX	1	1	1	1	E23
10	10		1912809-00	LS15 NAND GATE-TRIPLE 3IN	1	1	1	1	E16
11	11		1912842-00	LS138 DECODER-THREE INPUT,	1	1	1	1	E12
12	12		1912843-00	LS139 DECODER, 2 OF 4(DUAL	2	2	2	2	F3,E24
13	13		1912863-00	LS273 FF-D OCTAL W/CLEAR	1	1	1	1	E5
14	14		1914213-00	81LS97 BUFFER GATE-OCTAL 2I	2	2	2	2	E9,E11
15	15		2113106-01	1K MOS RAM 250NS	1	1	1	1	E4
16	16		2114212-00	P 2114-2 RAM,1024X4,STATIC	8	8	8	8	E2,E7,E10,E14,E18,E22
17	18		1211164-04	SW,DIP 1P 1A 8POS	2	2	2	2	E19,E20
18	19		23069E2-00	E2-02,E2-04 RO	-	1	-	-	E21
19	20		23099E2-00	E2-02	-	-	1	-	E21
20	21		23100E2-00	E2-02	-	-	1	-	E17
21	22		23093E2-00	E2-02,E2-04	-	-	-	1	E21
22	23	A-SP-3700554-0-0	3700554-00	PKG MODULE 5413097	REF	REF	REF	REF	
23	24	A-SP-3700438-0-0	3700438-05	PKG. BULK CARTON 9906476-29	REF	REF	REF	REF	

24 NOTE: FOR INDIVIDUAL FIELD SERVICE/CUSTOMER SPARES SHIPMENT USE PACKAGING INSTRUCTION A-SP-3700554-0-0.  
 25 NOTE: FOR BULK INTERPLANT SHIPMENT USE PACKAGING INSTRUCTIONS A-SP-3700438-00.

REVISION HISTORY			BASIC PART NO: 5413097							
ENG	ECO NUMBER	REV	SECTION A OF A	DRN:	T. SHETRAWSKI	DATE:	10-MAR-78	DIGITAL		
----	INIT	A	SECTION.VARIATION INDEX	CHK'D:	T. SHETRAWSKI	DATE:	10-MAR-78	TITLE PARTS LIST		
----	5413097-ML002	C	[A] 00,01,02,03					VT100 ADV VIDEO		
CJ	5413097-ML003	D	[B]	DES.ENG:	D. PUCCI	DATE:	10-MAR-78			
CJ	5413097-ML004	E	[C]					DOCUMENT NUMBER		
DP	5413097-ML005	F	[D]	RESP.ENG.:	D. PUCCI	DATE:	10-MAR-78			
RB	5413097-ML006	H	[E]					SIZE CODE NUMBER REV		
			[F]					K PL 5413097-0-DBP H		
			[H]	MFG.ENG.:	T. CORCIARI	DATE:	10-MAR-78			
			[J]	ASSEMBLY NUMBER:		TOP DOCUMENT NUMBER:		FILE NAME: EDIT #		
			[K]	D-UA-5413097-0-0		B-DD-5413097-0-0		Z1081H.PLS 9		
			[L]	"THIS DRAWING AND SPECIFICATIONS HEREIN, ARE THE PROPERTY OF DIGITAL EQUIPMENT CORPORATION AND SHALL NOT BE REPRODUCED OR COPIED OR USED IN WHOLE OR IN PART AS THE BASIS FOR THE MANUFACTURE OR SALE OF ITEMS WITHOUT WRITTEN PERMISSION. COPYRIGHT (C) 1981. DIGITAL EQUIPMENT CORPORATION"						
			[M]							
			[N]							



LEGEND

VAR	SW ON	ROMS	LOCA	USE ON
-02	NONE	NONE		VT100
-01	E19-2	23069E2	E21	VT100 WA F WB
-02	E19-3	23099E2	E21	VT132
-03	E19-3	23093E2	E21	VT100 WP FOREIGN LANGUAGE

UNLESS OTHERWISE NOTED IN LEGEND ABOVE ALL SWITCHES ARE IN THE OFF POSITION.

A00 H	A01 H	A02 H	A03 H	A04 H	A05 H	A06 H	A07 H	A08 H	A09 H	A10 H	A0	A1	A2	A3	A4	A5	A6	A7	A8	A9	A10	DB0	DB1	DB2	DB3	DB4	DB5	DB6	DB7	DB8	DB9	DB00 H	DB01 H	DB02 H	DB03 H	DB04 H	DB05 H	DB06 H	DB07 H
8	7	6	5	4	3	2	1	23	19		A0	A1	A2	A3	A4	A5	A6	A7	A8	A9	A10	DB0	DB1	DB2	DB3	DB4	DB5	DB6	DB7	DB8	DB9	DB00 H	DB01 H	DB02 H	DB03 H	DB04 H	DB05 H	DB06 H	DB07 H

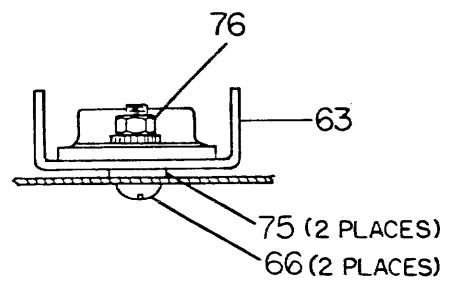
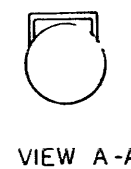
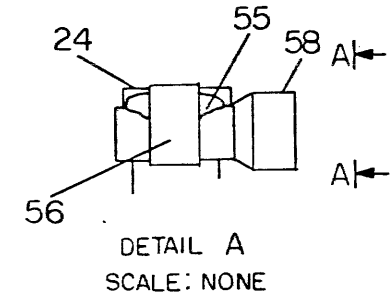
REVISIONS

CHK	CHANGE NO.	REV.
EC	5413097-ML001	B
EC	5413097-ML002	C
EC	5413097-ML003	D
EC	5413097-ML004	E

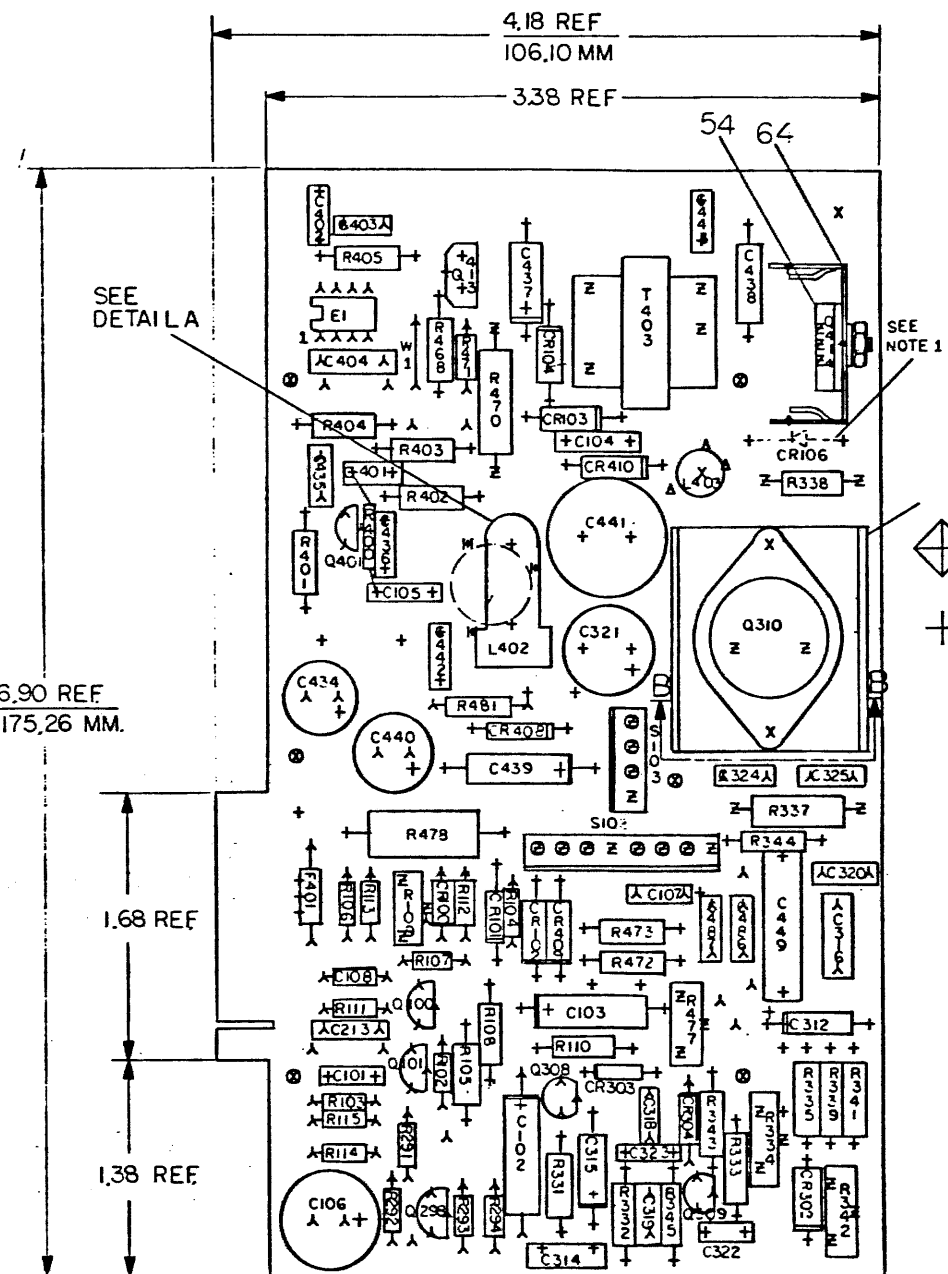
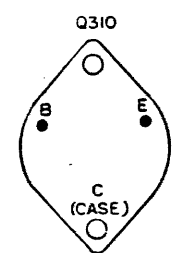
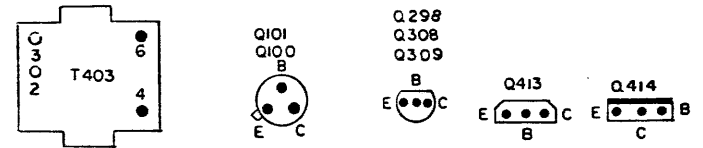
DRN	2-14-78	FIRST USED ON	VT100
CHK		TITLE	VT100
ENG			ADVANCED VIDEO
PROL			
PROD			
NEXT HIGHER ASSY.			
B-DD-5413097-0	SIZE	CODE	NUMBER
SCALE	D	CS	5413097-0-1
SHEET	1	OF	1

THIS DRAWING AND ANY INFORMATION CONTAINED HEREIN IS UNCLASSIFIED EXCEPT WHERE SHOWN OTHERWISE. DATE 05-11-2011 BY 60322 UCBAW/STP

COMPONENT SIDE VIEW



TRANSISTORS BOTTOM VIEW



NOTES: 1 CR106 DO NOT USE  
2 MAXIMUM LEAD LENGTH PROTRUSION .150 INCH ON SIDE 2

STEP	BY	DATE	DESCRIPTION
1	Y		REVISED
2	X		REVISED

CHANGE NO	REV	DATE	DESCRIPTION
1	1	12-22-89	INITIAL DRAWING
2	2	12-22-89	REVISION
3	3	12-22-89	REVISION
4	4	12-22-89	REVISION

ETCH REV. D-PI

SIGNATURES		DATE	digital
DRN. <i>[Signature]</i>		12-22-89	
CHK. <i>[Signature]</i>		12-22-89	TITLE VT100 MONITOR
MECH. ENG. <i>[Signature]</i>		12-22-89	
PROJ. ENG. <i>[Signature]</i>		12-22-89	
SCALE 2/1	SHT. 1 OF 1	SIZE CODE	NUMBER
		D UA	541431-0-0 R
NEXT HIGHER ASSY. B-00-541431-0			

LINE	ITEM	DOCUMENT NUMBER	PART NUMBER	DESCRIPTION	QTY	PER	VARIATION	REFERENCE DESIGNATOR
					00	01		
1	1	E-MD-5014130-0-0	5014130-00	DRILLED AND ETCH BOARD FOR VT100	1	1		
			1016544-00	.1 MFD 100V 10% MYLR	2	2		C107, C442
			1016546-00	.22 MFD 660V 10% MET. MYLR	1	1		C449
			1016569-00	.001 MFD 100V 10% MYLR	2	2		C436, C402
			1016639-00	.01 MFD 200V 10% MYLR	1	1		C320
			1016547-00	.001 MFD 200V 10% MYLR	1	1		C438
			1016548-00	.001 MFD 16V +50-10% AL EL	1	1		C321
			1010274-02	MFD 50V +80-20% CER	1	1		C443
			1016555-00	MFD 50V +50-10% AL EL	2	2		C102, C103
			1016496-00	.7MFD 35V 20% S. TANT	2	2		C318, C319
			1016554-00	MFD 6V +75-10% AL EL	1	1		C439
			1016553-00	.7MFD 25V +75-10% AL EL	2	2		C312, C437
			1016558-00	MFD 25V 20% AL EL	1	1		C441
			1016557-00	.47 MFD 16V +50-10% AL EL	3	3		C106, C434, C440
			1016556-00	.001 MFD 100V +80-20% Z5U DISC	3	3		C213, C314, C404
			1016570-00	.001 MFD 500V +80-20% Z5U DISC	2	2		C435, C403
			1016571-00	.001 MFD 500V +80-20% Z5U DISC	4	4		C104, C105, C486, C487
			1016572-00	.001 MFD 500V 10% X5P DISC	1	1		C101
			1000004-00	.001 MFD 100V 20% Z5U DISC	4	4		C322, C323, C324, C325
			1116474-00	1N 4007 PIV=1000 I=1A D041	4	4		CR101, CR102, CR103, CR104
			1116477-00	1N 456 PIV= 20 D035	1	1		CR304
			1114892-00	1N 474A VZ= 20.0 5% 1W	1	1		CR410
			1116476-00	PIV=400	1	1		CR408
			1216530-04	MAGNET, PINCUSHION 10 GAUSS	1	1		C316
			1003053-00	.001 MFD 250V 20% MET. MYLR	1	1		R342
			1316522-00	1000J K .25 W20.0 % POT	1	1		R477
			1316522-02	1000J M .25 W20.0 % POT	1	1		R109, R334
			1316522-01	1000J K .25 W20.0 % POT	2	2		R470
			1317528-00	1000J J 2.0 W10.0 % CC	1	1		R291
			1300479-00	1000J K .25 W 5.0 % CC	1	1		

SEE NOTE

REVISION HISTORY		BASIC PART NO: 5414131		DRN: KENT GLEEZEN	DATE: 24-MAR-81	D I G I T A L	
ENG:	ECO NUMBER	REV	SECTION A OF A	CHK'D: KENT GLEEZEN	DATE: 24-MAR-81	TITLE PARTS LIST	
	INITIAL	P	SECTION VARIATION INDEX			VT100 MONITOR	
DP	5414131-ML007	R	[A] 00,01	DES. ENG: DICK PUCCI	DATE: 24-MAR-81	DOCUMENT NUMBER	
DP	5414131-ML008	S	[B]	RESP. ENG.: DICK PUCCI	DATE: 24-MAR-81	SIZE	CODE
			[C]			NUMBER	REV
			[D]	REG. ENG.: AL JOHNS	DATE: 24-MAR-81	K	PL
			[E]	ASSEMBLY NUMBER:	TOP DOCUMENT NUMBER:	FILE NAME:	
			[F]	-UA-5414131-0-0	B-DD-5414131-0-0	223875.PLS	
			[G]			EDIT #	
			[H]			11	
			[I]				
			[J]				
			[K]				
			[L]				
			[M]				
			[N]				

"THIS DRAWING AND SPECIFICATIONS HEREIN, ARE THE PROPERTY OF DIGITAL EQUIPMENT CORPORATION AND SHALL NOT BE REPRODUCED OR COPIED OR USED IN WHOLE OR IN PART AS THE BASIS FOR THE MANUFACTURE OR SALE OF ITEMS WITHOUT WRITTEN PERMISSION. COPYRIGHT © 1982. DIGITAL EQUIPMENT CORPORATION"

LINE	ITEM	DOCUMENT NUMBER	PART NUMBER	DESCRIPTION	QTY	PER	VARIATION	REFERENCE DESIGNATOR
					00	01		
31	31		1300445-00	4.70 K .50 W 5.0 % CC	1	1	R331	
32	32		1316504-00	68.0 K .50 W 5.0 % CC	1	1	R332	
33	33		1300385-00	1.20 K .50 W 5.0 % CC	1	1	R344	
34	34		1316506-00	100.0 K .50 W 5.0 % CC	2	2	R472, R473	
35	35		1316508-00	5.60 K .50 W 5.0 % CC	1	1	R338	
36	36		1316509-00	3.90 K 1.0 W 5.0 % CC	1	1	R337	
37	37		1302396-00	150.0 K .25 W 5.0 % CC	1	1	R106	
38	38		1300228-00	100.0 K .50 W 5.0 % CC	2	2	R481, R343	
39	39		1300364-00	1.0 K .50 W 5.0 % CC	1	1	R468	
40	40		1300296-00	330.0 K .50 W 5.0 % CC	1	1	R345	
41	41		1300356-00	820.0 K .50 W 10.0 % CC	1	1	R109	
42	42		1300461-00	6.80 K .50 W 5.0 % CC	1	1	R339	
43	43		1300440-00	3.30 K .50 W 5.0 % CC	1	1	R110	
44	44		1300496-00	15.0 K .25 W 5.0 % CC	1	1	R107	
45	45		1300274-00	220.0 K .50 W 5.0 % CC	1	1	R105	
46	46		1300285-00	270.0 K .50 W 5.0 % CC	1	1	R341	
47	47		1316525-00	1.0 K 3.0 W 10.0 % WW	1	1	R478	
48	48		1509525-00	2N 3906 PNP 310MW SI 40100 Y	1	1	Q298	
			CONT			2	Q298, Q100	
49	49		1516492-00	2N 5830 NPN 1W SI100 1	1	1	Q101	
50	50		1509524-00	2N 3904 NPN 310MW SI 40 40 M	2	2	Q308, Q401	
51	51		1516491-00	2N 6427 NPN 1.5W SI 40 1.5	1	1	Q309	
52	52		1516532-00	NPN 125W SI250 25	1	1	Q310	
53	53		1516490-00	MPSU05 NPN 10W SI	1	1	Q413	
54	54		1517534-00	BU 407D NPN POWER TRANS T0220	1	1	Q414	
55	55		4901303-00	WAX	A/R	A/R		
56	56		9107685-00	TUBING, SHRINK 1/2 DIA. EXP UL	A/R	A/R		
57	57		1616309-00	XFMR, HORIZONTAL DRIVE	1	1	T403	
58	58		1616538-00	COIL, HORIZONTAL, LINEAR	1	1	L402	
59	59		1616536-00	XFMR, HORIZONTAL, WIDTH	1	1	L403	
60	60		1210929-05	FUSE, SUB-MINI, 2.500A, 125V, A	1	1	F401	
61	61		1216521-01	HEADER 4POS	1	1	S102	
62	62		1216521-00	HEADER 4POS	1	1	S103	
63	63		1216471-00	HEAT SINK, BOTTOM ONLY	1	1		
64	64		1217561-00	HEAT SINK, T0-220, YELLOW CHROMATE	1	1		
65	65		4901304-00	COMPOUND, SILICONE THERMAL, VISC	A/R	A/R		
66	66		9006022-01	SCREW, PAN, PHIL 6-32X 3/8 SS	2	2		
67	67		1001776-00	1 MFD 35V 10% S. TANT	1	1	C315	
68	68		1304837-00	24.0 K .25 W 5.0 % CC	1	1	R335	
69	69		1300315-00	470.0 K .50 W 5.0 % CC	1	1	R401	
70	70		1300415-00	2.20 K .50 W 5.0 % CC	2	2	R402, R403	
71	71		1300443-00	3.90 K .50 W 5.0 % CC	2	2	R404, R333	
72	72		1300467-00	7.50 K .50 W 5.0 % CC	1	1	R405	
73	73		1000042-00	1000.0 MMF 100V 5%200PPM MICA	1	1	C401	
74	74		1911944-00	555CN TIMER, FUNCT. BLOCK	1	1	E1	
75	75		9006659-00	WASHER, FLAT, .375 O.D. X .156 I	2	2		
76	76		9008185-00	NUT, KEP 6-32X 1/4 AF	3	3		
77	77		1300197-00	33.0 .25 W 5.0 % CC	1	1	R471	

D	I	G	I	T	A	L	TITLE	VT100 MONITOR	SECTION A OF A	SIZE	CODE	DOCUMENT NUMBER	REV
										K	PL	5414131-0-DBP	S

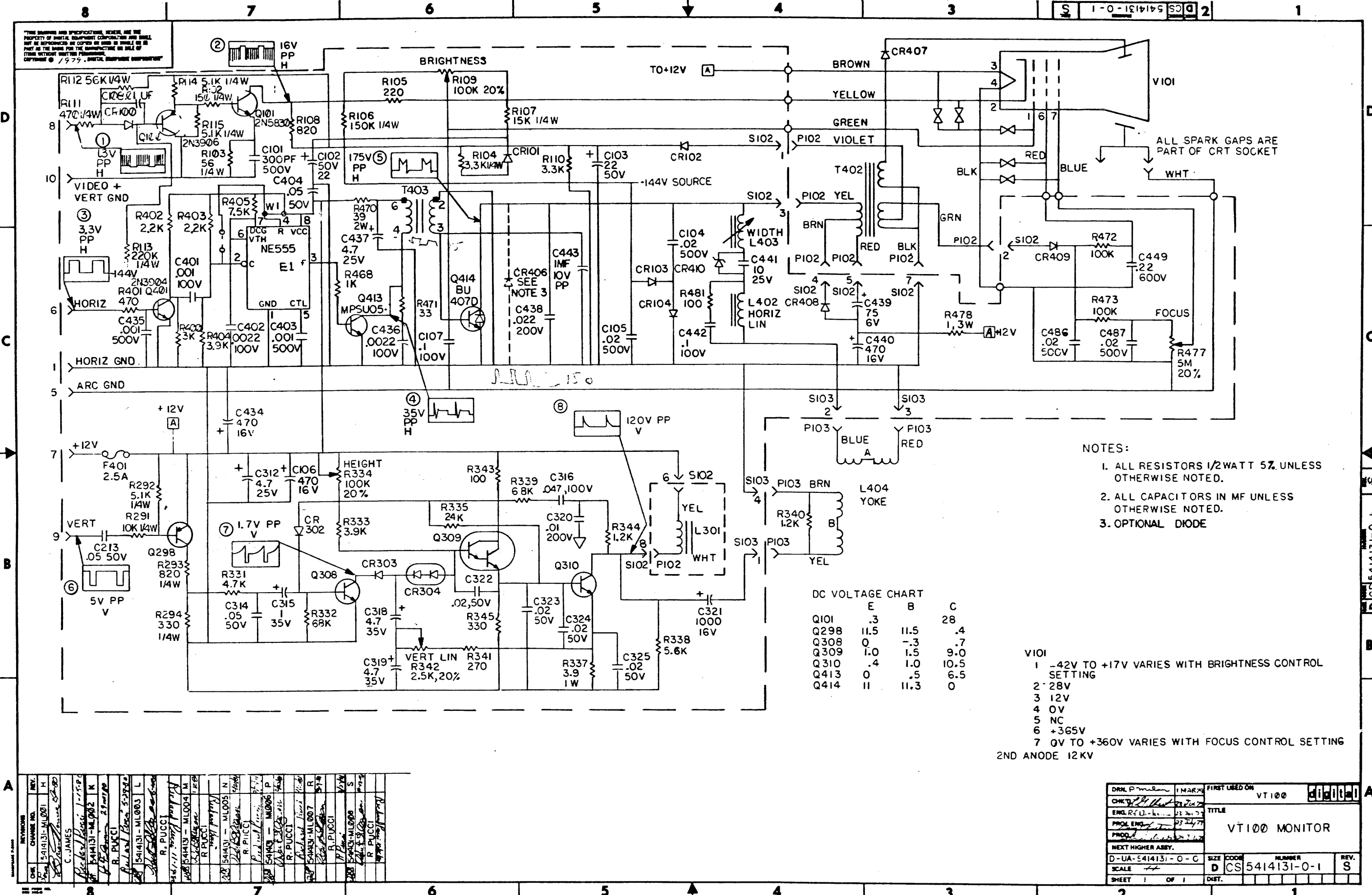


LINE	ITEM	DOCUMENT NUMBER	PART NUMBER	DESCRIPTION	QTY PER VARIATION		REFERENCE DESIGNATOR		
					00	01			
78	78		1300432-00	3.0 K .25 W 5.0 %	CC	1	1	R400	
79	79		1300439-00	3.30 K .25 W 5.0 %	CC	1	1	R104	
80	80		1301775-00	820.0 .25 W 5.0 %	CC	1	1	R293	
81	81		1300295-00	330.0 .25 W 5.0 %	CC	1	1	R294	
82	82		9107776-99	WIRE(WRAP)22AWG,IPVC	UL1429 WH	A/R	-	-	W1
83	83		9009185-00	JUMPER, WIRE, INSULATED, BLACK B		1	1	R102, R103	
84	84		1302602-00	56.0 .25 W 5.0 %	CC	-	-	R103	
			CONT			-	-	R102	
85	85		1300250-00	150.0 .25 W 5.0 %	CC	-	-	R102	
86	86		1300316-00	470.0 .25 W 5.0 %	CC	-	-	R111	
87	87		1302395-00	56.0 K .25 W 5.0 %	CC	-	-	R112	
88	88		1302092-00	220.0 K .25 W 5.0 %	CC	1	1	R113	
89	89		1312930-00	5.10 K .25 W 5.0 %	CC	1	-	R292	
			CONT			-	-	R292, R114, R115	
90	90		1001610-00	.01 MFD 50V +80-20% Z5U CER		-	-	C108	
91	91		1116475-00	IN 4148 PIV= 75 D035		2	-	CR302, CR303	
			CONT			-	-	CR302, CR303, CR100	
92	92		1111854-01	MR 817 PIV=800 I= 1A D041 S		1	1	CR409	

93 NOTE: P/N 1000051-00 CAN BE USED AS AN ALTERNATE FOR P/N 1003053-00.

D	I	G	I	T	A	L	TITLE	VT100 MONITOR	SECTION A	OF A	SIZE	CODE	DOCUMENT NUMBER	REV
											K	PL	5414131-0-DBP	S

THIS DRAWING AND SPECIFICATIONS HEREBY ARE THE PROPERTY OF BENTLEY ELECTRIC COMPANY, INC. AND SHALL NOT BE REPRODUCED OR COPIED IN WHOLE OR IN PART OR IN ANY MANNER FOR THE MANUFACTURE OR SALE OF THIS ARTICLE WITHOUT THE WRITTEN PERMISSION OF BENTLEY ELECTRIC COMPANY, INC. © 1979



- NOTES:
1. ALL RESISTORS 1/2WATT 5% UNLESS OTHERWISE NOTED.
  2. ALL CAPACITORS IN MF UNLESS OTHERWISE NOTED.
  3. OPTIONAL DIODE

DC VOLTAGE CHART

	E	B	C
Q101	.3		28
Q298	11.5	11.5	.4
Q308	0	-.3	.7
Q309	1.0	1.5	9.0
Q310	.4	1.0	10.5
Q413	0	.5	6.5
Q414	11	11.3	0

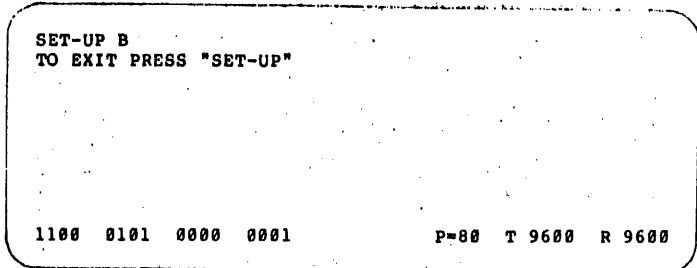
- V101
- 1 -42V TO +17V VARIES WITH BRIGHTNESS CONTROL SETTING
  - 2 28V
  - 3 12V
  - 4 0V
  - 5 NC
  - 6 +365V
  - 7 0V TO +360V VARIES WITH FOCUS CONTROL SETTING
- 2ND ANODE 12KV

REV.	DATE	BY	CHKD.	APP'D.
1	11/13/79	H		
2	11/13/79	H		
3	11/13/79	H		
4	11/13/79	H		
5	11/13/79	H		
6	11/13/79	H		
7	11/13/79	H		
8	11/13/79	H		

DRN. P. [Signature]	1 MAR 79	FIRST USED ON	VT100
CHKD. [Signature]	23 MAR 79	TITLE	VT100 MONITOR
ENGR. [Signature]	23 MAR 79	SIZE	D
PROJ. ENG. [Signature]	23 MAR 79	CODE	CS
PROD. [Signature]	23 MAR 79	NUMBER	5414131-0-1
NEXT HIGHER ASSY.		SCALE	S
D-UA-5414131-0-C		SHEET	1 OF 1

Table 3  
Word Processing User Option Set-up "B"

VT100-WC-WK, WY, and WZ Set-up B



NOTE: For WC and WD variations Group 4 should contain all zero's, unless 50 Hz, local echo and/or parity check is desired.

SET-UP B mode may only be entered from SET-UP A mode. To enter SET-UP B from SET-UP A, press the 5 key on the main keyboard. The display will have a presentation similar to the figure shown above.

The table shown below explains the function of each bit and their proper setting.

If the parity setting (P=?) is incorrect, it can be changed by holding the shift key down and pressing the P key repeatedly until the desired setting is displayed.

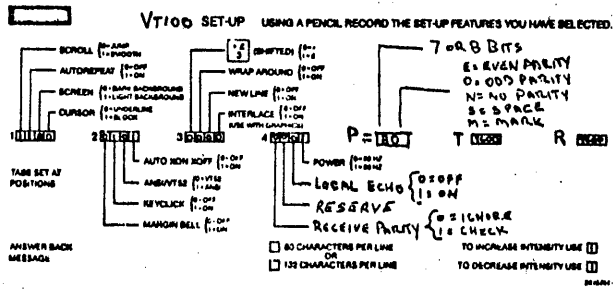
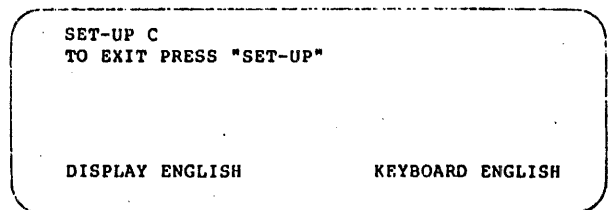


Table 4  
Word Processing User Option Set-Up C

The SET-up C mode for VT100 variations -WC through WK, -WY and -WZ allows you to select any one of the following languages.

- French Canadian
- French
- Dutch
- German
- English

SET-UP C mode may only be entered from SET-UP A mode. To enter SET-UP C from SET-UP A, press the 5 key on the main keyboard twice. The display will have a presentation similar to the figure shown below.



To change the language setting for the display and/or keyboard, advance the cursor until it is positioned above the incorrect language setting then press the number 6 key repeatedly until the desired language setting is displayed.

For terminals set-up for French all numbers (0-9) on the main keyboard are in the shifted position, therefore, they can only be accessed by holding the shift key down and then pressing the desired number key.

It is suggested that the "Caps Lock" key ("Shift Lock" in the French keyboard mode) be always engaged when doing set-up functions to eliminate confusion during set-up.

Table 5  
Word Processing Adv. Video Module  
ROM and Jumper Locations

VT100-WA & WB 5413097-01

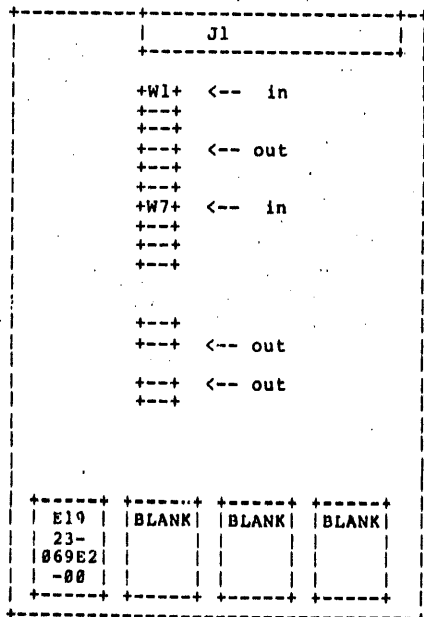
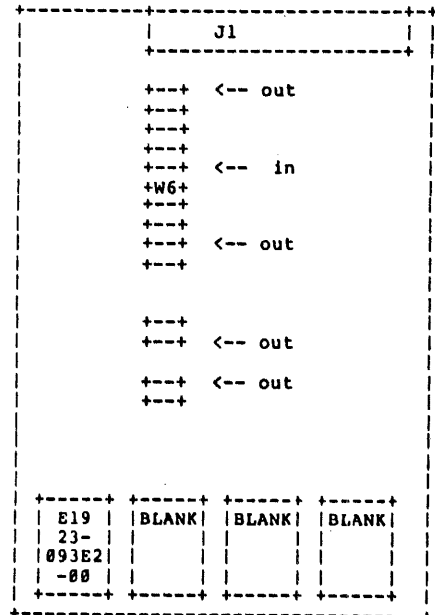


Table 5 (continued)  
Word Processing Adv. Video Module  
ROM and Jumper Locations

VT100-WC-WK, WY & WZ 5413097-03



This document contains confidential proprietary information of DEC. This information shall not be disclosed to any third party without the express written permission of DEC. The information contained herein is the property of DEC, and its use for any other purpose without the express written permission of DEC is prohibited. Copyright © Digital Equipment Corporation.

DIGITAL EQUIPMENT CORPORATION MAYNARD, MASSACHUSETTS						
ENGINEERING SPECIFICATION				DATE 6/28/79		
TITLE VT100-W Word Processing Terminals Installation Notes						
REVISIONS						
REV	DESCRIPTION	CHG NO	ORIG	DATE	APPD BY	DATE
A	ECO CHANGE	VT100-W.TREMBLAY ML828		3/12/79	W. Tremblay (dot)	6/11/80

The VT100 family of Word Processing Terminals consists of the basic VT100 terminal assembly to which, parts have been added or substituted to make unique terminals, dedicated to word processing applications in various languages.

Table 1 lists the unique parts make-up of the various VT100 Word Processing Terminals.

The VT100 incorporates a user set-up option which is activated by the set-up key on the keyboard. To maintain order among DEC Word Processing Systems using the VT100, a WORD PROCESSING STANDARD SET-UP had been defined. These settings are preset at the factory.

Table 2 shows the correct set-up B settings for VT100-WA and VT100-WB variations. Table 3 shows the correct settings for VT100-WC through VT100-WK, VT100-WY, and VT100-WZ.

Verify that the terminal is set-up correctly. If necessary, change incorrect settings then store the settings in the VT100's semi-permanent memory (Ref: VT100 User Guide EK-VT100-0811).

Unique to the VT100 Word Processing Terminal is a Word Processing Advanced Video Module P/N 5413097-xx. Table 5 illustrates ROM and jumper placement for the various modules.

Also unique to the VT100 Foreign Word Processing Terminals is a language set-up mode called the set-up C mode. Table No. 4 explains how to use the set-up C mode to select any one of 5 different languages.

Table 1  
Word Processing VT100 Unique Parts

Variation	Basic Unit	Unique Part	Part Number
VT100-WA	VT100-AA	Word Proc. Key Bd.	7015765-03
		Word Proc. Advanced Video Module	5413097-01
VT100-WB	VT100-AB	Word Proc. Key Bd.	7015765-03
		Word Proc. Advanced Video Module	5413097-01
VT100-WC		French Canadian Key Bd.	7015765-05
		For. Language Advanced Video Module w/ROM A	5413097-03
		Basic Video Board	5413009-02

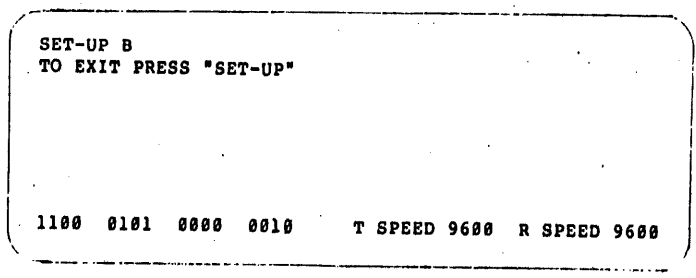
ENG Walt Tremblay	APPD Don Young	SIZE A	CODE SP	NUMBER VT100-W	REV A
----------------------	-------------------	-----------	------------	-------------------	----------

EN-1078A-16-R073-3302  
ORA 107A SHEET 1 OF 8

Table 1 (continued)  
Word Processing VT100 Unique Parts

Variation	Basic Unit	Unique Part	Part Number
VT100-WD		French Canadian Key Bd.	7015765-05
		For. Language Advanced Video Module w/ROM A	5413097-03
		Basic Video Board	5413009-02
VT100-WE		French Key Bd.	7015765-06
		For. Language Advanced Video Module w/ROM A	5413097-03
		Basic Video Board	5413009-02
VT100-WF		French Key Bd.	7015765-06
		For. Language Advanced Video Module w/ROM A	5413097-03
		Basic Video Board	5413009-02
VT100-WG		Dutch Key Bd.	7015765-07
		For. Language Advanced Video Module w/ROM A	5413097-03
		Basic Video Board	5413009-02
VT100-WH		Dutch Key Bd.	7015765-07
		For. Language Advanced Video Module w/ROM A	5413097-03
		Basic Video Board	5413009-02
VT100-WJ		German Key Bd.	7015765-08
		For. Language Advanced Video Module w/ROM A	5413097-03
		Basic Video Board	5413009-02
VT100-WK		German Key Bd.	7015765-08
		For. Language Advanced Video Module w/ROM A	5413097-03
		Basic Video Board	5413009-02
VT100-WY		Word Proc. Key Bd.	7015765-03
		For. Language Advanced Video Module w/ROM A	5413097-03
		Basic Video Board	5413009-02
VT100-WZ		Word Proc. Key Bd.	7015765-03
		For. Language Advanced Video Module w/ROM A	5413097-03
		Basic Video Board	5413009-02

Table 2  
Word Processing User Option Set-up "B"  
VT100-WA Set-up B



SET-UP B mode may only be entered from SET-UP A mode. To enter SET-UP B from SET-UP A, press the 5 key on the main keyboard. The display will have a presentation similar to the figure shown above.

The table shown below explains the function of each bit and their proper setting.

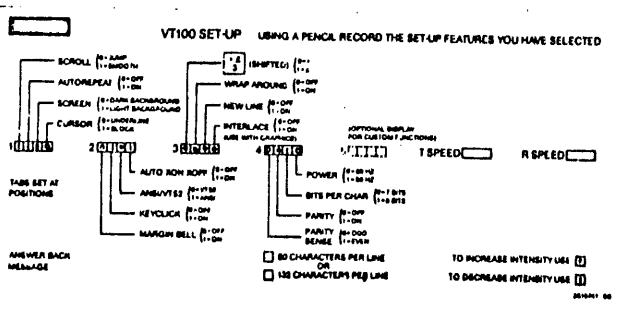
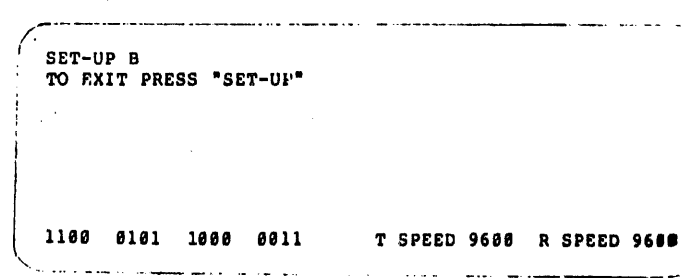
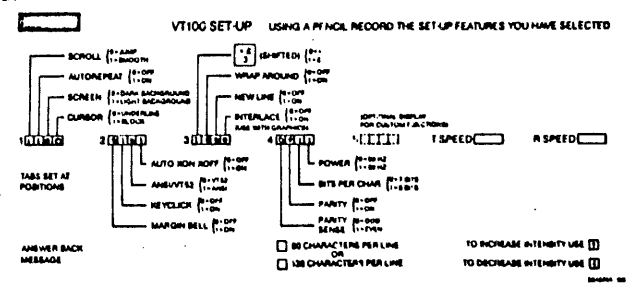


Table 2  
Word Processing User Option Set-up "B"  
VT100-WB Set-up B



SET-UP B mode may only be entered from SET-UP A mode. To enter SET-UP B from SET-UP A, press the 5 key on the main keyboard. The display will have a presentation similar to the figure shown above.

The table shown below explains the function of each bit and their proper setting.



DIGITAL EQUIPMENT CORPORATION PARTS LIST					QUANTITY / VARIATION											NOTES:							
MADE BY DATE		D. HEALY 14-JUN-78		CHECKED DATE		D. HEALY 14-JUN-78		SECTION B2		VT100-WJ	VT100-WK	VT100-WY	VT100-WZ	VT100-LA	VT100-LB	VT100-PA	VT100-PB	VT100-PC	VT100-PD	VT100-PE	VT100-PF	REF DESIGNATION	
ENG DATE		E. WEDEKING 10-JUL-78		PROD DATE		K. HOFFMAN 10-JUL-78		ISSUED SECTION B2															
ITEM NO.	DRAWING NO.	PART NO.	DESCRIPTION																				
19		VT100-WZ	TERM, VIDEO, WP W/230V PLUG		-	-	-	1	-	-	-	-	-	-	-	-	-	-	-	-	-		
20		3615741-01	LABEL, SET-UP, VT100 FOR SYSTEMS		1	1	1	1	-	-	-	-	-	-	-	-	-	-	-	-	-		
21		AA-H989A-TA	VT100 FOREIGN LANGUAGE SUPPLEMENT		1	1	1	1	-	-	-	-	-	-	-	-	-	-	-	-	-		
22		VT100-LA	TERM, VIDEO, W/P40 TUBE		-	-	-	-	1	-	-	-	-	-	-	-	-	-	-	-	-		
23		VT100-LB	TERM, VIDEO, W/P40 TUBE		-	-	-	-	-	1	-	-	-	-	-	-	-	-	-	-	-		
24		VT100-PA	VT100-AA EXCEPT DRAG GRAY 120V PRIVATE BRAND		-	-	-	-	-	-	1	-	-	-	-	-	-	-	-	-	-		
25		VT100-PB	VT100-AB EXCEPT DARK GRAY 240V PRIVATE BRAND		-	-	-	-	-	-	-	1	-	-	-	-	-	-	-	-	-		
26		VT100-PC	VT100-PA WITHOUT ELECTRONICS 120V PRIVATE BRAND		-	-	-	-	-	-	-	-	1	-	-	-	-	-	-	-	-		
27		VT100-PD	VT100-PB WITHOUT ELECTRONICS 240V PRIVATE BRAND		-	-	-	-	-	-	-	-	-	-	-	1	-	-	-	-	-		
28		VT100-PE	VT100-PA WITHOUT ELECTRONICS & NO KEYBOARD 120V PRIVATE BRAND		-	-	-	-	-	-	-	-	-	-	-	-	-	-	1	-	-		
29		VT100-PF	VT100-PB WITHOUT ELECTRONICS & NO KEYBOARD 240V PRIVATE BRAND		-	-	-	-	-	-	-	-	-	-	-	-	-	-	-	-	1		
30		EK-VT100-RC	VT100 PROGRAM REF CARD		1	1	1	1	1	1	1	1	1	1	1	1	1	1	1	1	1		
31		3618307-05	BOOKLET, FCC STATEMENT, WITH POUCH		1	1	1	1	1	1	1	1	1	1	1	-	1	1	1	1			

E.C.O. NO.

"THIS DRAWING AND SPECIFICATIONS, HEREIN, ARE THE PROPERTY OF DIGITAL EQUIPMENT CORPORATION AND SHALL NOT BE REPRODUCED OR COPIED OR USED IN WHOLE OR IN PART AS THE BASIS FOR THE MANUFACTURE OR SALE OF ITEMS WITHOUT WRITTEN PERMISSION. COPYRIGHT © 1978 DIGITAL EQUIPMENT CORPORATION"

TITLE  
SHIPPING LIST VT100

ASSY NO.     #    

SHEET 4 OF 4

SIZE  
**B PL**

NUMBER  
VT100-0

REV.  
F

INSERTION PARTS LIST DATA BASE REV

# DIGITAL EQUIPMENT CORPORATION PARTS LIST

MADE BY DATE	D. HEALY 14-JUN-78	CHECKED DATE	D. HEALY 14-JUN-78	SECTION B1
ENG DATE	E. WEDEKING 10-JUL-78	PROD DATE	K. HOFFMAN 10-JUL-78	ISSUED SECTION B2

## QUANTITY / VARIATION

NOTES:

ITEM NO.	DRAWING NO.	PART NO.	DESCRIPTION	VT100-WJ	VT100-WK	VT100-WY	VT100-WZ	VT100-LA	VT100-LB	VT100-PA	VT100-PB	VT100-PC	VT100-PD	VT100-PE	VT100-PF	REF DESIGNATION
1	EK-VT100-UG-001	EK-VT100-UG	GUIDE, USERS VT100	1	-	1	1	1	1	-	-	-	-	-	-	
2		3615741	LABEL, SETUP, VT100	-	-	-	-	1	1	-	-	-	-	-	-	
3		VT100-AA	TERM., VIDEO, W/115V PLUG	-	-	-	-	-	-	-	-	-	-	-	-	
4		VT100-AB	TERM., VIDEO, W/230V PLUG	-	-	-	-	-	-	-	-	-	-	-	-	
5		VT100-NA	TERM., VIDEO, DECFORM, W/115V PLUG	-	-	-	-	-	-	-	-	-	-	-	-	
6		VT100-NB	TERM., VIDEO, DECFORM, W/230V PLUG	-	-	-	-	-	-	-	-	-	-	-	-	
7		VT100-WA	TERM., VIDEO, WORD PROCESSING W/115V PLUG.	-	-	1	-	-	-	-	-	-	-	-	-	
8		VT100-WB	TERM., VIDEO, WORD PROCESSING, W/230V PLUG.	-	-	-	1	-	-	-	-	-	-	-	-	
9	A-SP-VT100-W-0		INSTALLATION NOTES, WORD PROCESSING TERMINAL.	1	-	1	1	-	-	-	-	-	-	-	-	
10		VT100-WC	TERM, VIDEO, FR. CANADIAN WP W/115V PLUG	-	-	-	-	-	-	-	-	-	-	-	-	
11		VT100-WD	TERM, VIDEO, FR. CANADIAN WP W/230V PLUG	-	-	-	-	-	-	-	-	-	-	-	-	
12		VT100-WE	TERM, VIDEO, FRENCH WP W/115V PLUG	-	-	-	-	-	-	-	-	-	-	-	-	
13		VT100-WF	TERM, VIDEO, FRENCH WP W/230V PLUG	-	-	-	-	-	-	-	-	-	-	-	-	
14		VT100-WG	TERM, VIDEO, DUTCH WP W/115V PLUG	-	-	-	-	-	-	-	-	-	-	-	-	
15		VT100-WH	TERM, VIDEO, DUTCH WP W/230V PLUG	-	-	-	-	-	-	-	-	-	-	-	-	
16		VT100-WJ	TERM, VIDEO, GERMAN WP W/115V PLUG	1	-	-	-	-	-	-	-	-	-	-	-	
17		VT100-WK	TERM, VIDEO, GERMAN WP W/230V PLUG	-	-	-	-	-	-	-	-	-	-	-	-	
18		VT100-WY	TERM, VIDEO, WP-W/115V PLUG	-	-	1	-	-	-	-	-	-	-	-	-	

E.C.O. NO.

"THIS DRAWING AND SPECIFICATIONS, HEREIN, ARE THE PROPERTY OF DIGITAL EQUIPMENT CORPORATION AND SHALL NOT BE REPRODUCED OR COPIED OR USED IN WHOLE OR IN PART AS THE BASIS FOR THE MANUFACTURE OR SALE OF ITEMS WITHOUT WRITTEN PERMISSION. COPYRIGHT © 1978 DIGITAL EQUIPMENT CORPORATION"	TITLE SHIPPING LIST VT100	ASSY NO. <span style="font-size: 2em;">#</span>	SIZE <b>B</b>	CODE <b>PL</b>	NUMBER VT100-0	REV. F
		SHEET 3 OF 4	INSERTION PARTS LIST DATA BASE REV			

DIGITAL EQUIPMENT CORPORATION PARTS LIST				QUANTITY / VARIATION											NOTES:		
MADE BY DATE	D. HEALY 14-JUN-78	CHECKED DATE	D. HEALY 14-JUN-78	SECTION A2	VT100-AA	VT100-AB	VT100-NA	VT100-NB	VT100-WA	VT100-WB	VT100-WC	VT100-WD	VT100-WE	VT100-WF	VT100-WG	VT100-WH	REF DESIGNATION
ENG DATE	E. WEDEKING 10-JUL-78	PROD DATE	K. HOFFMAN 10-JUL-78	ISSUED SECTION A2													
ITEM NO.	DRAWING NO.	PART NO.	DESCRIPTION														
19		VT100-WZ	TERM, VIDEO, WP W/230V PLUG	-	-	-	-	-	-	-	-	-	-	-	-	-	
20		3615741-01	LABEL, SET-UP, VT100 FOR SYSTEMS	-	-	-	-	-	-	1	1	1	1	1	1	1	
21		AA-H989A-TA	VT100 FOREIGN LANGUAGE SUPPLEMENT	-	-	-	-	-	-	1	1	1	1	1	1	1	
22		VT100-LA	TERM, VIDEO, W/P40 TUBE	1	-	-	-	-	-	-	-	-	-	-	-	-	
23		VT100-LB	TERM, VIDEO, W/P40 TUBE	-	1	-	-	-	-	-	-	-	-	-	-	-	
24		VT100-PA	VT100-AA EXCEPT DARK GRAY 120V PRIVATE BRAND	-	-	-	-	-	-	-	-	-	-	-	-	-	
25		VT100-PB	VT100-AB EXCEPT DARK GRAY 240V PRIVATE BRAND	-	-	-	-	-	-	-	-	-	-	-	-	-	
26		VT100-PC	VT100-PA WITHOUT ELECTRONICS 120V PRIVATE BRAND	-	-	-	-	-	-	-	-	-	-	-	-	-	
27		VT100-PD	VT100-PB WITHOUT ELECTRONICS 240V PRIVATE BRAND	-	-	-	-	-	-	-	-	-	-	-	-	-	
28		VT100-PE	VT100-PA WITHOUT ELECTRONICS & NO KEYBOARD 120V PRIVATE BRAND	-	-	-	-	-	-	-	-	-	-	-	-	-	
29		VT100-PF	VT100-PB WITHOUT ELECTRONICS & NO KEYBOARD 240V PRIVATE BRAND	-	-	-	-	-	-	-	-	-	-	-	-	-	
30		EK-VT100-RC	VT100 PROGRAM REF CARD	1	1	1	1	1	1	1	1	1	1	1	1	1	
31		3618307-05	BOOKLET, FCC STATEMENT, WITH POUCH	1	1	1	1	1	1	1	1	1	1	1	1	1	

E.C.O. NO.

"THIS DRAWING AND SPECIFICATIONS, HEREIN, ARE THE PROPERTY OF DIGITAL EQUIPMENT CORPORATION AND SHALL NOT BE REPRODUCED OR COPIED OR USED IN WHOLE OR IN PART AS THE BASIS FOR THE MANUFACTURE OR SALE OF ITEMS WITHOUT WRITTEN PERMISSION. COPYRIGHT ©1978 DIGITAL EQUIPMENT CORPORATION"

TITLE  
SHIPPING LIST VT100

ASSY NO.         
SHEET 2 OF 4

SIZE CODE NUMBER REV.  
B PL VT100-0 F

INSERTION PARTS LIST DATA BASE REV

# DIGITAL EQUIPMENT CORPORATION PARTS LIST

MADE BY DATE	D. HEALY 14-JUN-78	CHECKED DATE	D. HEALY 14-JUN-78
ENG DATE	E. WEDEKING 10-JUL-78	PROD DATE	K. HOFFMAN 10-JUL-78

SECTION A1
ISSUED SECTION A2

## QUANTITY / VARIATION

NOTES:

ITEM NO.	DRAWING NO.	PART NO.	DESCRIPTION	VT100-AA	VT100-AB	VT100-NA	VT100-NB	VT100-WA	VT100-WB	VT100-WC	VT100-WD	VT100-WE	VT100-WF	VT100-WG	VT100-WH	REF DESIGNATION
1	EK-VT100-UG-001	EK-VT100-UG	GUIDE, USERS VT100	1	1	1	1	1	1	1	1	1	1	1	1	
2		3615741	LABEL, SET-UP, VT100	1	1	1	1	1	1	-	-	-	-	-	-	
3		VT100-AA	TERM., VIDEO, W/115V PLUG	1	-	-	-	-	-	-	-	-	-	-	-	
4		VT100-AB	TERM., VIDEO, W/230V PLUG	-	1	-	-	-	-	-	-	-	-	-	-	
5		VT100-NA	TERM., VIDEO, DECFORM, W/115V PLUG	-	-	1	-	-	-	-	-	-	-	-	-	
6		VT100-NB	TERM., VIDEO, DECFORM, W/230V PLUG	-	-	-	1	-	-	-	-	-	-	-	-	
7		VT100-WA	TERM., VIDEO, WORD PROCESSING, W/115V PLUG.	-	-	-	-	1	-	-	-	-	-	-	-	
8		VT100-WB	TERM., VIDEO, WORD PROCESSING, W/230V PLUG.	-	-	-	-	-	1	-	-	-	-	-	-	
9	A-SP-VT100-W-0		INSTALLATION NOTES, WORD PROCESSING TERMINAL.	-	-	-	-	1	1	1	1	1	1	1	1	
10		VT100-WC	TERM, VIDEO, FR. CANADIAN WP W/115V PLUG	-	-	-	-	-	-	1	-	-	-	-	-	
11		VT100-WD	TERM, VIDEO, FR. CANADIAN WP W/230V PLUG	-	-	-	-	-	-	-	1	-	-	-	-	
12		VT100-WE	TERM, VIDEO, FRENCH WP W/115V PLUG	-	-	-	-	-	-	-	-	1	-	-	-	
13		VT100-WF	TERM, VIDEO, FRENCH WP W/230V PLUG	-	-	-	-	-	-	-	-	-	1	-	-	
14		VT100-WG	TERM, VIDEO, DUTCH, WP W/115V PLUG	-	-	-	-	-	-	-	-	-	-	1	-	
15		VT100-WH	TERM, VIDEO, DTUCH, WP W/230V PLUG	-	-	-	-	-	-	-	-	-	-	-	1	
16		VT100-WJ	TERM, VIDEO, GERMAN WP W/115V PLUG	-	-	-	-	-	-	-	-	-	-	-	-	
17		VT100-WK	TERM, VIDEO, GERMAN WP W/230V PLUG	-	-	-	-	-	-	-	-	-	-	-	-	
18		VT100-WY	TERM, VIDEO, WP W/115V PLUG	-	-	-	-	-	-	-	-	-	-	-	-	

E.C.O. NO.  
 ML032  
 ML037  
 VT100-  
 MLO42

THIS DRAWING AND SPECIFICATIONS, HEREIN, ARE THE PROPERTY OF DIGITAL EQUIPMENT CORPORATION AND SHALL NOT BE REPRODUCED OR COPIED OR USED IN WHOLE OR IN PART AS THE BASIS FOR THE MANUFACTURE OR SALE OF ITEMS WITHOUT WRITTEN PERMISSION. COPYRIGHT ©1978 DIGITAL EQUIPMENT CORPORATION

TITLE  
SHIPPING LIST VT100

ASSY NO.           
SHEET 1 OF 4

SIZE	CODE	NUMBER	REV.
B	PL	VT100-0	F

INSERTION PARTS LIST DATA BASE REV